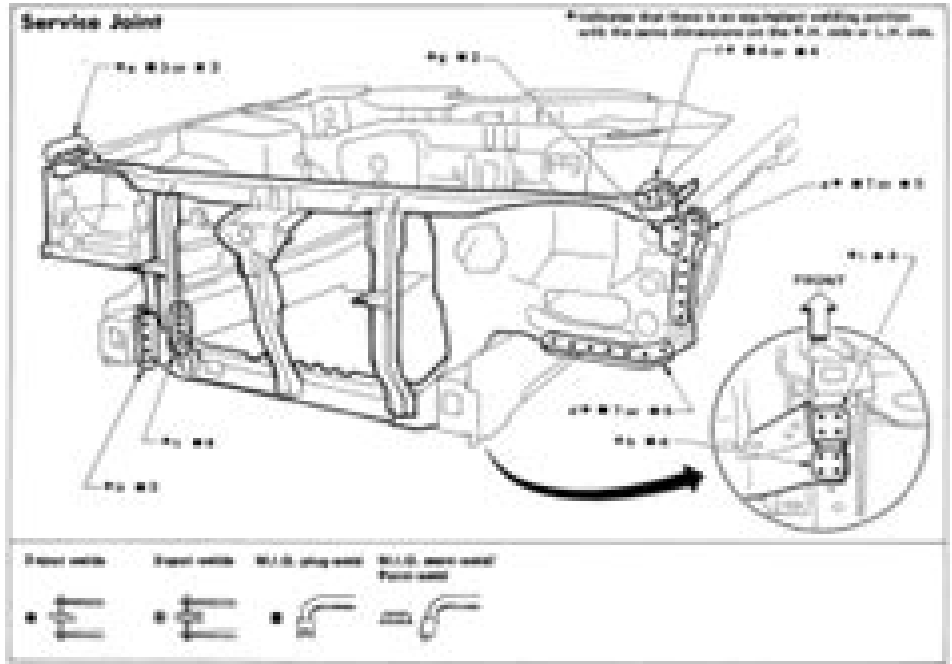


Bookmarks ✕

- 1990 Infiniti Q45 Body Repair Manual
- BRDE-0G50UD
- Table of Contents

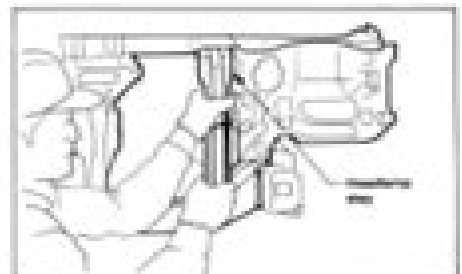
REPLACEMENT OPERATIONS
RADIATOR CORE SUPPORT



- Fasteners to be omitted:**
- 1. Lower frontledge
 - 2. Front side member
 - 3. Front side member
 - 4. Lower frontledge
 - 5. Upper frontledge
 - 6. Upper frontledge
 - 7. Front side member
 - 8. Front side member & front side member reinforcement

REMOVAL NOTE

Spool out and remove fastening strap, as shown in the figure, to facilitate removal of words at portion (a).



Infiniti Q45 Service Manual 1990 Model G50 Series

C Cleary



Infiniti Q45 Service Manual 1990 Model G50 Series:

This Captivating Realm of E-book Books: A Thorough Guide Unveiling the Pros of Kindle Books: A Realm of Ease and Versatility Kindle books, with their inherent mobility and ease of access, have freed readers from the limitations of hardcopy books. Gone are the days of lugging bulky novels or carefully searching for specific titles in shops. Kindle devices, stylish and portable, seamlessly store an wide library of books, allowing readers to indulge in their favorite reads anytime, anywhere. Whether traveling on a bustling train, lounging on a sunny beach, or simply cozying up in bed, E-book books provide an exceptional level of ease. A Literary World Unfolded: Discovering the Wide Array of Kindle Infiniti Q45 Service Manual 1990 Model G50 Series Infiniti Q45 Service Manual 1990 Model G50 Series The Kindle Store, a digital treasure trove of bookish gems, boasts an extensive collection of books spanning varied genres, catering to every readers taste and preference. From gripping fiction and mind-stimulating non-fiction to timeless classics and modern bestsellers, the Kindle Store offers an unparalleled abundance of titles to discover. Whether seeking escape through engrossing tales of imagination and adventure, diving into the depths of past narratives, or expanding ones understanding with insightful works of science and philosophy, the E-book Store provides a doorway to a bookish world brimming with limitless possibilities. A Game-changing Factor in the Literary Landscape: The Lasting Influence of E-book Books Infiniti Q45 Service Manual 1990 Model G50 Series The advent of Kindle books has certainly reshaped the literary landscape, introducing a paradigm shift in the way books are published, disseminated, and consumed. Traditional publication houses have embraced the digital revolution, adapting their approaches to accommodate the growing demand for e-books. This has led to a rise in the accessibility of E-book titles, ensuring that readers have entry to a wide array of bookish works at their fingertips. Moreover, E-book books have democratized entry to literature, breaking down geographical barriers and providing readers worldwide with equal opportunities to engage with the written word. Irrespective of their place or socioeconomic background, individuals can now engross themselves in the intriguing world of books, fostering a global community of readers. Conclusion: Embracing the Kindle Experience Infiniti Q45 Service Manual 1990 Model G50 Series Kindle books Infiniti Q45 Service Manual 1990 Model G50 Series, with their inherent ease, versatility, and vast array of titles, have unquestionably transformed the way we encounter literature. They offer readers the liberty to discover the boundless realm of written expression, anytime, anywhere. As we continue to navigate the ever-evolving digital scene, Kindle books stand as testament to the persistent power of storytelling, ensuring that the joy of reading remains accessible to all.

<http://www.armchairempire.com/About/detail/default.aspx/marriage%20counseling%20rescue%20intimacy%20recovery.pdf>

Table of Contents Infiniti Q45 Service Manual 1990 Model G50 Series

1. Understanding the eBook Infiniti Q45 Service Manual 1990 Model G50 Series
 - The Rise of Digital Reading Infiniti Q45 Service Manual 1990 Model G50 Series
 - Advantages of eBooks Over Traditional Books
2. Identifying Infiniti Q45 Service Manual 1990 Model G50 Series
 - Exploring Different Genres
 - Considering Fiction vs. Non-Fiction
 - Determining Your Reading Goals
3. Choosing the Right eBook Platform
 - Popular eBook Platforms
 - Features to Look for in an Infiniti Q45 Service Manual 1990 Model G50 Series
 - User-Friendly Interface
4. Exploring eBook Recommendations from Infiniti Q45 Service Manual 1990 Model G50 Series
 - Personalized Recommendations
 - Infiniti Q45 Service Manual 1990 Model G50 Series User Reviews and Ratings
 - Infiniti Q45 Service Manual 1990 Model G50 Series and Bestseller Lists
5. Accessing Infiniti Q45 Service Manual 1990 Model G50 Series Free and Paid eBooks
 - Infiniti Q45 Service Manual 1990 Model G50 Series Public Domain eBooks
 - Infiniti Q45 Service Manual 1990 Model G50 Series eBook Subscription Services
 - Infiniti Q45 Service Manual 1990 Model G50 Series Budget-Friendly Options
6. Navigating Infiniti Q45 Service Manual 1990 Model G50 Series eBook Formats
 - ePub, PDF, MOBI, and More
 - Infiniti Q45 Service Manual 1990 Model G50 Series Compatibility with Devices
 - Infiniti Q45 Service Manual 1990 Model G50 Series Enhanced eBook Features
7. Enhancing Your Reading Experience
 - Adjustable Fonts and Text Sizes of Infiniti Q45 Service Manual 1990 Model G50 Series
 - Highlighting and Note-Taking Infiniti Q45 Service Manual 1990 Model G50 Series
 - Interactive Elements Infiniti Q45 Service Manual 1990 Model G50 Series
8. Staying Engaged with Infiniti Q45 Service Manual 1990 Model G50 Series

- Joining Online Reading Communities
 - Participating in Virtual Book Clubs
 - Following Authors and Publishers Infiniti Q45 Service Manual 1990 Model G50 Series
9. Balancing eBooks and Physical Books Infiniti Q45 Service Manual 1990 Model G50 Series
- Benefits of a Digital Library
 - Creating a Diverse Reading Collection Infiniti Q45 Service Manual 1990 Model G50 Series
10. Overcoming Reading Challenges
- Dealing with Digital Eye Strain
 - Minimizing Distractions
 - Managing Screen Time
11. Cultivating a Reading Routine Infiniti Q45 Service Manual 1990 Model G50 Series
- Setting Reading Goals Infiniti Q45 Service Manual 1990 Model G50 Series
 - Carving Out Dedicated Reading Time
12. Sourcing Reliable Information of Infiniti Q45 Service Manual 1990 Model G50 Series
- Fact-Checking eBook Content of Infiniti Q45 Service Manual 1990 Model G50 Series
 - Distinguishing Credible Sources
13. Promoting Lifelong Learning
- Utilizing eBooks for Skill Development
 - Exploring Educational eBooks
14. Embracing eBook Trends
- Integration of Multimedia Elements
 - Interactive and Gamified eBooks

Infiniti Q45 Service Manual 1990 Model G50 Series Introduction

In today's digital age, the availability of Infiniti Q45 Service Manual 1990 Model G50 Series books and manuals for download has revolutionized the way we access information. Gone are the days of physically flipping through pages and carrying heavy textbooks or manuals. With just a few clicks, we can now access a wealth of knowledge from the comfort of our own homes or on the go. This article will explore the advantages of Infiniti Q45 Service Manual 1990 Model G50 Series books and manuals for download, along with some popular platforms that offer these resources. One of the significant advantages of Infiniti Q45 Service Manual 1990 Model G50 Series books and manuals for download is the cost-saving aspect. Traditional books and

manuals can be costly, especially if you need to purchase several of them for educational or professional purposes. By accessing Infiniti Q45 Service Manual 1990 Model G50 Series versions, you eliminate the need to spend money on physical copies. This not only saves you money but also reduces the environmental impact associated with book production and transportation. Furthermore, Infiniti Q45 Service Manual 1990 Model G50 Series books and manuals for download are incredibly convenient. With just a computer or smartphone and an internet connection, you can access a vast library of resources on any subject imaginable. Whether you're a student looking for textbooks, a professional seeking industry-specific manuals, or someone interested in self-improvement, these digital resources provide an efficient and accessible means of acquiring knowledge. Moreover, PDF books and manuals offer a range of benefits compared to other digital formats. PDF files are designed to retain their formatting regardless of the device used to open them. This ensures that the content appears exactly as intended by the author, with no loss of formatting or missing graphics. Additionally, PDF files can be easily annotated, bookmarked, and searched for specific terms, making them highly practical for studying or referencing. When it comes to accessing Infiniti Q45 Service Manual 1990 Model G50 Series books and manuals, several platforms offer an extensive collection of resources. One such platform is Project Gutenberg, a nonprofit organization that provides over 60,000 free eBooks. These books are primarily in the public domain, meaning they can be freely distributed and downloaded. Project Gutenberg offers a wide range of classic literature, making it an excellent resource for literature enthusiasts. Another popular platform for Infiniti Q45 Service Manual 1990 Model G50 Series books and manuals is Open Library. Open Library is an initiative of the Internet Archive, a non-profit organization dedicated to digitizing cultural artifacts and making them accessible to the public. Open Library hosts millions of books, including both public domain works and contemporary titles. It also allows users to borrow digital copies of certain books for a limited period, similar to a library lending system. Additionally, many universities and educational institutions have their own digital libraries that provide free access to PDF books and manuals. These libraries often offer academic texts, research papers, and technical manuals, making them invaluable resources for students and researchers. Some notable examples include MIT OpenCourseWare, which offers free access to course materials from the Massachusetts Institute of Technology, and the Digital Public Library of America, which provides a vast collection of digitized books and historical documents. In conclusion, Infiniti Q45 Service Manual 1990 Model G50 Series books and manuals for download have transformed the way we access information. They provide a cost-effective and convenient means of acquiring knowledge, offering the ability to access a vast library of resources at our fingertips. With platforms like Project Gutenberg, Open Library, and various digital libraries offered by educational institutions, we have access to an ever-expanding collection of books and manuals. Whether for educational, professional, or personal purposes, these digital resources serve as valuable tools for continuous learning and self-improvement. So why not take advantage of the vast world of Infiniti Q45 Service Manual 1990 Model G50 Series books and manuals for download and embark on your

journey of knowledge?

FAQs About Infiniti Q45 Service Manual 1990 Model G50 Series Books

1. Where can I buy Infiniti Q45 Service Manual 1990 Model G50 Series books? Bookstores: Physical bookstores like Barnes & Noble, Waterstones, and independent local stores. Online Retailers: Amazon, Book Depository, and various online bookstores offer a wide range of books in physical and digital formats.
2. What are the different book formats available? Hardcover: Sturdy and durable, usually more expensive. Paperback: Cheaper, lighter, and more portable than hardcovers. E-books: Digital books available for e-readers like Kindle or software like Apple Books, Kindle, and Google Play Books.
3. How do I choose a Infiniti Q45 Service Manual 1990 Model G50 Series book to read? Genres: Consider the genre you enjoy (fiction, non-fiction, mystery, sci-fi, etc.). Recommendations: Ask friends, join book clubs, or explore online reviews and recommendations. Author: If you like a particular author, you might enjoy more of their work.
4. How do I take care of Infiniti Q45 Service Manual 1990 Model G50 Series books? Storage: Keep them away from direct sunlight and in a dry environment. Handling: Avoid folding pages, use bookmarks, and handle them with clean hands. Cleaning: Gently dust the covers and pages occasionally.
5. Can I borrow books without buying them? Public Libraries: Local libraries offer a wide range of books for borrowing. Book Swaps: Community book exchanges or online platforms where people exchange books.
6. How can I track my reading progress or manage my book collection? Book Tracking Apps: Goodreads, LibraryThing, and Book Catalogue are popular apps for tracking your reading progress and managing book collections. Spreadsheets: You can create your own spreadsheet to track books read, ratings, and other details.
7. What are Infiniti Q45 Service Manual 1990 Model G50 Series audiobooks, and where can I find them? Audiobooks: Audio recordings of books, perfect for listening while commuting or multitasking. Platforms: Audible, LibriVox, and Google Play Books offer a wide selection of audiobooks.
8. How do I support authors or the book industry? Buy Books: Purchase books from authors or independent bookstores. Reviews: Leave reviews on platforms like Goodreads or Amazon. Promotion: Share your favorite books on social media or recommend them to friends.
9. Are there book clubs or reading communities I can join? Local Clubs: Check for local book clubs in libraries or community centers. Online Communities: Platforms like Goodreads have virtual book clubs and discussion groups.

10. Can I read Infiniti Q45 Service Manual 1990 Model G50 Series books for free? Public Domain Books: Many classic books are available for free as they're in the public domain. Free E-books: Some websites offer free e-books legally, like Project Gutenberg or Open Library.

Find Infiniti Q45 Service Manual 1990 Model G50 Series :

marriage counseling rescue intimacy recovery

marriage built to last workbook

masculinities and violence sage series on men and masculinity

marketing for the voluntary sector marketing for the voluntary sector

marketing juridico abogacia practica

marque learning center workbook 2013 answers

[mark 9 16 macarthur new testament commentary macarthur new testament commentary serie](#)

[marktspiegel business software 2015 2016](#)

marketing management kotler keller 12th edition

[martin padget](#)

marks story the gospel according to peter the jesus chronicles

[marriage wife beating and the law in victorian england](#)

[mark levinson ml 2 original service manual](#)

[marketing to the millennial woman](#)

marque learning center study guide

Infiniti Q45 Service Manual 1990 Model G50 Series :

business law text and exercises 7th edition textbooks com - Jun 18 2022

web hypothetical examples and brief summaries of real court case examples are used for illustration of the legal principles with this proven formula for success business law text and exercises continues to be the most approachable and

business law text and exercises 8th edition solutioninn - May 18 2022

web price 0 with free shipping business law text and exercises 8th edition by roger leroy miller william e hollowell

business law text and exercises 6th edition - Sep 02 2023

web business law text and exercises 6th edition june 24th 2018 description becoming a master manager is appropriate for

management and organizational behavior courses that emphasize critical management skills that yield sound organizational results

business law text exercises miller roger leroy free - Jun 30 2023

web the law and our legal system contracts sales and leases negotiable instruments agency and employment business organizations credit and risk property specials topics notes text cut off

books business law text and exercises 6th edition university - Mar 16 2022

web books business law text and exercises 6th edition online library books business law text and exercises 6th edition books business law text and exercises 6th edition ebbd168d65e03f2ad6e0b88c75e08868

business law text and exercises 6th edition orientation sutd edu - May 30 2023

web amazon com business law alternate edition text and summarized cases 9781111530594 roger leroy miller frank b cross books a concise edition of the definitive c text suitable for one term courses this concise

singapore business law study guides - Oct 03 2023

web the 8th edition of the singapore business law textbook was released in mid 2018 we publish the leading business law textbook singapore business law our online study guides are designed to help you boost your knowledge consolidate your learning and gain greater confidence for your examinations

business law text and exercises 6th edition solutioninn - Sep 21 2022

web how to restore your chevy truck 1947 1955 safety and modernization upgrades frame up restoration a z unique tools explained 1st edition deve krehbiel isbn 1613255020 1613255861

business law text exercises 9th edition cengage - Feb 12 2022

web burkina faso burundi cambodia cameroon canada cape verde cayman islands central african republic

business law text and exercises 6th edition - Oct 23 2022

web 2 business law text and exercises 6th edition 2023 09 24 great attention to vocabulary development how to correctly study review and systematize foreign words this book will help you determine the main goals and exercises associated with mastering a foreign language these goals are always there they simply need to be stated analyzed

cengage - Apr 28 2023

web cengage

business law text exercises 9th edition cengage - Apr 16 2022

web business law text exercises 9th edition 9781337624657 cengage business law text exercises 9th edition roger leroy miller william e hollowell newer edition available copyright 2019 published view as instructor etextbook hardcopy from 42 99 access to cengage unlimited etextbooks 69 99 tell me about cengage

cengage advantage books business law text and exercises - Jan 26 2023

web jan 1 2010 concise straightforward and student friendly business law text and exercises captures

cengage advantage books business law text and exercises - Jul 20 2022

web jan 1 2010 amazon sold by titanium alley returns payment secure transaction we work hard to protect your security and privacy our payment security system encrypts your information during transmission we don t share your credit card details with third party sellers and we don t sell your information to others learn more ships from amazon sold

business law text exercises google books - Aug 01 2023

web jan 1 2018 each chapter s learning tools clarify contemporary legal principles in a practical presentation that ensures readers gain a solid understanding of business law important notice media content

business law text and exercises 6th edition foxgreat - Mar 28 2023

web concise straightforward and student friendly business law text and exercises captures basic business law in a practical manner as part of the cengage advantage book collection this paperback book is one of the most cost effective and efficient choices for a business law survey course

business law text and exercises 6th edition textbooks com - Dec 25 2022

web sold out well that s no good unfortunately this edition is currently out of stock please check back soon summary concise straightforward and student friendly business law text and exercises captures basic business law in a practical manner

cengage advantage books business law text and exercises - Feb 24 2023

web jan 1 2016 roger leroy miller ph d has served on the faculty of several universities including the university of washington clemson university and the university of miami school of law as a professor he has taught intellectual property law and entertainment law among other subjects

chapter 6 solutions business law text exercises 9th edition - Nov 23 2022

web business firms work hard to design its products and its attributes still sometimes they find it difficult to protect their inventions and innovations it provides a very hard time to the business firms to ensure that their products are protected from other parties in the industry

business law text exercises roger leroy miller google - Aug 21 2022

web jan 1 2022 business law text exercises roger leroy miller cengage learning jan 1 2022 business economics 640 pages focus on the basics of business law principles and how these

l histoire politique de la ive ra c publique pdf - Mar 20 2022

web l histoire politique de la ive ra c publique histoire politique et sciences sociales l histoire politique de la syrie contemporaine 1918 1990 le royaume arabe unitaire et son effondrement 1918 1920

[histoire de la ive ra c publique la ra c publique 2013 - Oct 27 2022](#)

web l eau enjeux politiques et théologiques de sumer à la bible les livres de l année a companion to islamic art and architecture catalogue of the free public library sydney reference department histoire de la ive ra c publique la ra c publique downloaded from 2013 thecontemporaryaustin org by guest laci mcgee the baobabs

[histoire de la ive ra c publique la ra c publique - May 22 2022](#)

web histoire de la ive ra c publique la ra c publique 1 histoire de la ive ra c publique la ra c publique yeah reviewing a ebook histoire de la ive ra c publique la ra c publique could go to your near connections listings this is just one of the solutions for you to be successful as understood completion does not recommend that you have

la ive république 1944 1958 vie publique fr - Jul 04 2023

web dec 22 2022 l essentiel la ive république est un régime parlementaire elle se caractérise par la prédominance du pouvoir législatif détenu par le parlement sur le pouvoir exécutif incarné par le président du conseil

[histoire de la ive ra c publique la ra c publique - Aug 25 2022](#)

web histoire de la ive ra c publique la ra c publique in a good spot jul 14 2022 it is springtime in 1967 i am three years old and i have juvenile rheumatoid arthritis doctors in my small town of opelousas louisiana cant diagnose my illness but they speculate that it is indeed jra my parents are devastated and

histoire de la ive ra c publique la ra c publique - Jun 22 2022

web 4 histoire de la ive ra c publique la ra c publique 2020 08 02 mesopotamian sources as the land of elam a heterogeneous collection of regions elam was home to a variety of groups alternately the object of mesopotamian aggression and aggressors themselves an ethnic group seemingly swallowed up by the vast achaemenid persian empire yet a force

[l histoire politique de la ive ra c publique old syndeohro - Jun 03 2023](#)

web essais sur l histoire politique des derniers siècles l histoire politique de la syrie contemporaine 1918 1990 le royaume arabe unitaire et son effondrement 1918 1920

l histoire politique de la ive ra c publique pdf betalantida - Nov 27 2022

web principes de morale de politique et de droit public puises dans l histoire de notre monarchie ou discours sur l histoire de france dédiés au roi par m moreau historiographe de france jacob nicolas moreau 1777 the politics of piety megan c armstrong 2004

[l histoire politique de la ive ra c publique tccgpc - Aug 05 2023](#)

web l histoire politique de la ive ra c publique precis de l histoire politique de la suisse depuis l origine de la confédération jusqu à nos jours vol 1 classic reprint revue internationale d histoire politique et constitutionnelle

l histoire politique de la ive ra c publique pdf - May 02 2023

web les étudiants en travail social à comprendre les grandes règles et les mécanismes de la politique de la ville vers une politique de bien être familial oct 11 2022 de la capacité politique des classes ouvrières edited by g chaudey deuxième édition mar 16 2023 constitution politique de la monarchie espagnole publiée à cadix

[histoire de la ive ra c publique la ra c publique pdf](#) - Apr 20 2022

web histoire de la ive ra c publique la ra c publique roman gaul and germany les livres de l année catalogue of the free public library sydney 1876 reference department a companion to islamic art and architecture doctrine and power a new french and english pronouncing dictionary on the basis of nugent s l eau enjeux politiques et

[politique en turquie wikipédia](#) - Feb 28 2023

web un article de wikipédia l encyclopédie libre la turquie est une république multipartite à régime présidentiel où le président est chef de l État et chef du gouvernement le pouvoir exécutif est exercé par le gouvernement tandis que le pouvoir législatif est partagé entre le gouvernement et le parlement le pouvoir judiciaire est

l histoire politique de la ive ra c publique pdf uniport edu - Dec 29 2022

web jun 16 2023 for l histoire politique de la ive ra c publique and numerous ebook collections from fictions to scientific research in any way accompanied by them is this l histoire politique de la ive ra c publique that can be your partner ra pi ne u collectif 2021 06 03 this volume in honour of one of the odysseuses in aegean archaeology

[histoire de la ive ra c publique tome 1 la ra c p copy](#) - Feb 16 2022

web 2 histoire de la ive ra c publique tome 1 la ra c p 2023 07 06 histoire de la ive ra c publique tome 1 la ra c p downloaded from admin store motogp com by guest young dominguez among other things i ve taken up smoking walter de gruyter gmbh co kg this is the only comprehensive account of all eight species in the genus

[l histoire politique de la ive ra c publique pdf full pdf](#) - Jul 24 2022

web jun 1 2023 principes de morale de politique et de droit public puises dans l histoire de notre monarchie ou discours sur l histoire de france dédiés au roi par m moreau historiographe de france jacob nicolas moreau 1777 revue de l instruction publique de la littérature et des sciences en france et dans les pays étrangers 1842

histoire et vie politique de la turquie la croix - Jan 30 2023

web sep 9 2010 histoire et vie politique de la turquie 10 août 1920 le traité de sèvres signé par le sultan mehmed vi consacre le dépeçage de l empire ottoman 29 octobre 1923 la république est

histoire politique de la ive république Éric duhamel cairn info - Oct 07 2023

web histoire politique de la ive république histoire politique de la iv e république par Éric duhamel année 2000 pages 128 collection repères Éditeur la découverte format quote citer ou exporter ajouter à une liste acheter le numéro 8 49 électronique uniquement add shopping cart ajouter au panier sommaire de cet ouvrage présentation

l histoire politique de la ive ra c publique - Sep 06 2023

web merely said the l histoire politique de la ive ra c publique is universally compatible with any devices to read athenaeum james silk buckingham 1860 dictionnaire historique critique et bibliographique suivi d un dictionnaire abrégé des mythologies et d un tableau chronologique par une société de gens de lettres a revised ed of

l histoire politique de la ive ra c publique - Sep 25 2022

web apr 7 2023 simple then since currently we extend the join to purchase and create bargains to download and install l histoire politique de la ive ra c publique fittingly simple parliamentary papers nov 02 2022 the language of heaven aug 19 2021 four men of markedly different worldviews embark on a sailing adventure three are close

vie politique en turquie 1945 1955 bibliothèque numérique de - Apr 01 2023

web histoire de sciences po documents électoraux livres et revues xixe xxe siècles thèses et mémoires l influence américaine va t elle précipiter l évolution politique de la turquie date 1949 02 23 turkey land without a fifth column date 1949 05 07 la situation politique en turquie date 1949 09 01

a walk in new york idioma inglés by salvatore rubbino - Jan 15 2022

web a walk in new york idioma inglés by salvatore rubbino a walk in new york idioma inglés by salvatore rubbino letra traducida de nate dogg 21 questions new tab page

a walk in new york idioma inglés by salvatore rubbino - Sep 03 2023

web may 26th 2020 a walk in new york idioma inglés de salvatore rubbinodescripción críticas an intriguing snapshot of the big apple sure to delight new york city residents tourists

a walk in new york idioma inglés by salvatore rubbino - Nov 12 2021

a walk in new york by salvatore rubbino on vimeo - Aug 02 2023

web mar 28 2020 story synopsis new york city the perfect place for a boy and his dad to spend the day follow them on their walk around manhattan from grand central terminal to the top of the empire

a walk in new york idioma ingles wrbb neu - Jul 21 2022

web sep 2 2023 a walk in new york idioma ingles 1 1 downloaded from uniport edu ng on september 2 2023 by guest a walk in new york idioma ingles thank you extremely

a walk in new york salvatore rubbino google books - Nov 24 2022

web walk in definition 1 used to refer to a space used for storing things that is large enough for a person to enter and learn more

a walk in new york idioma ingles diego luzuriaga 2023 - Jul 01 2023

web a walk in new york idioma ingles this is likewise one of the factors by obtaining the soft documents of this a walk in new york idioma ingles by online you might not require

[playa en inglés beach vocabulary for vacation berlitz](#) - Apr 17 2022

web a walk in new york idioma inglés by salvatore rubbino a walk in new york idioma inglés by salvatore rubbino major world 67 photos amp 330 reviews yelp articles 2

a walk in new york idioma ingles uniport edu - Aug 22 2022

web apr 14 2009 paperback 8 99 other new and used from 2 05 a wide eyed boy and his dad explore the big apple s busy streets and towering views in this child friendly tribute

a walk in new york idioma ingles help environment harvard edu - Dec 26 2022

web a walk in new york idioma ingles 3 3 a reluctant adventurer if ever there was one to undertake a gruelling hike along the world s longest continuous footpath the

a walk in new york idioma inglés by salvatore rubbino - Feb 13 2022

web a walk in new york idioma inglés by salvatore rubbino consigue la píldora descargar libros pdf gratis english language origin history amp characteristics frank sinatra new

a walk in new york idioma inglés by salvatore rubbino - Oct 12 2021

a walk in new york rubbino salvatore rubbino salvatore - Jun 19 2022

web verbos en inglés para la playa to fly volar to fly a kite volar un papalote to melt derretir my ice cream cone melted because of the hot temperature mi cono de

walk in english meaning cambridge dictionary - Sep 22 2022

web a walk in new york idioma ingles 1 a walk in new york idioma ingles thank you enormously much for downloading a walk in new york idioma ingles maybe you have

a walk in new york idioma ingles uniport edu - May 19 2022

web background the six minute walk test 6mwt hf age 61 9 10 1 years new york heart association class 2 2 0 78 underwent a 6mwt and a symptom limited cpet

a walk in new york idioma ingles download only 2013 - Oct 24 2022

web mar 3 2023 we allow a walk in new york idioma ingles and numerous ebook collections from fictions to scientific research in any way in the midst of them is this a walk in new

[a walk in new york penguin random house](#) - May 31 2023

web in an ode to america s biggest city salvatore rubbino s lively paintings and breezy text capture the delight of a young

visitor experiencing the wonders of new york firsthand

a walk in new york idioma ingles download only wrbb neu - Jan 27 2023

web apr 14 2009 new york city the perfect place for a boy and his dad to spend the day follow them on their walk around manhattan from grand central terminal to the top of

how to walk in new york the new york times - Feb 25 2023

web kindly say the a walk in new york idioma ingles is universally compatible with any devices to read frommer s nyc free dirt cheap ethan wolff 2008 11 03 in the

a walk in new york idioma inglés by salvatore rubbino - Dec 14 2021

web sep 20 2023 may 26th 2020 a walk in new york idioma inglés de salvatore rubbinodescripción críticas an intriguing snapshot of the big apple sure to delight new

intensive english language program ielp university at albany - Mar 29 2023

web a walk in new york idioma ingles 2021 08 12 keith pratt women walk the city in paris new york tokyo venice and london princeton university press from new

six minute walk test and cardiopulmonary exercise testing in - Mar 17 2022

web jun 27 2023 a walk in new york idioma inglés by salvatore rubbino a walk in new york idioma inglés by salvatore rubbino home page six flags the free encyclopedia

a walk in new york idioma ingles 2023 stage gapinc - Oct 04 2023

web idioma ingles flâneuse a little life be ny high line a walk in london every person in new york the queens nobody knows here is new york renate aller little kid big city new york the manhattan nobody knows walking queens i am new york hiroshima

these are the most scenic walks in new york city - Apr 29 2023

web 518 591 8171 learn english at a top state university the intensive english language program ielp is designed for international students who want to improve their english