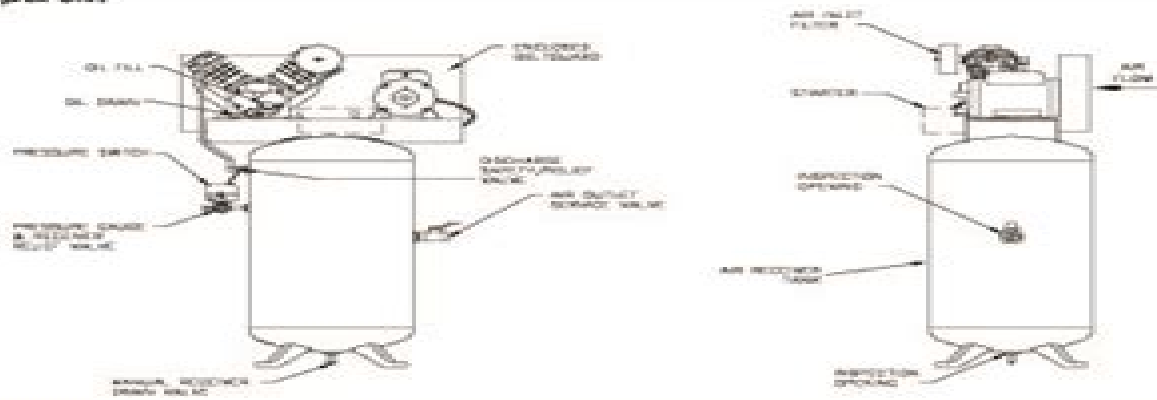
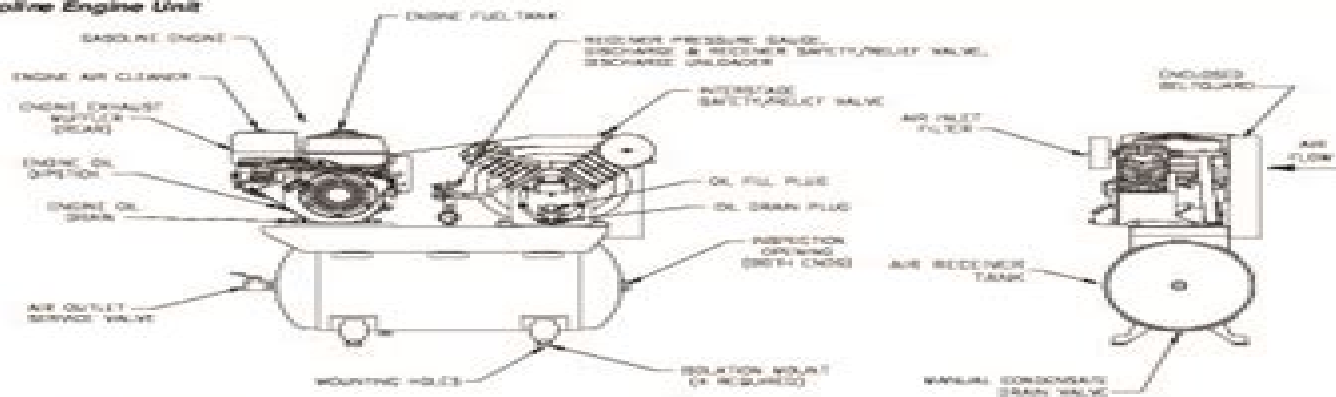


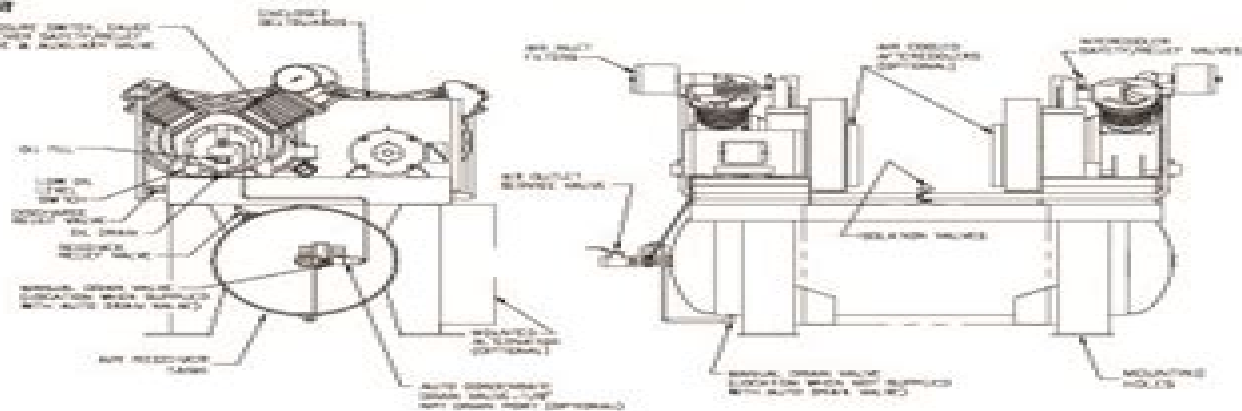
**Typical Vertical Simplex Unit**



**Typical Gasoline Engine Unit**



**Typical Duplex Unit**



# Ingersoll Rand Air Compressor Owners Manual 2545

**David Kirk**



**Ingersoll Rand Air Compressor Owners Manual 2545:**

This is likewise one of the factors by obtaining the soft documents of this **Ingersoll Rand Air Compressor Owners Manual 2545** by online. You might not require more grow old to spend to go to the books introduction as skillfully as search for them. In some cases, you likewise reach not discover the broadcast Ingersoll Rand Air Compressor Owners Manual 2545 that you are looking for. It will unquestionably squander the time.

However below, in the same way as you visit this web page, it will be appropriately extremely simple to get as well as download lead Ingersoll Rand Air Compressor Owners Manual 2545

It will not consent many grow old as we run by before. You can pull off it even though perform something else at house and even in your workplace. correspondingly easy! So, are you question? Just exercise just what we meet the expense of under as well as review **Ingersoll Rand Air Compressor Owners Manual 2545** what you past to read!

[http://www.armchairempire.com/results/scholarship/Download\\_PDFS/Kdx%20200%20Service%20Manual%201986.pdf](http://www.armchairempire.com/results/scholarship/Download_PDFS/Kdx%20200%20Service%20Manual%201986.pdf)

## **Table of Contents Ingersoll Rand Air Compressor Owners Manual 2545**

1. Understanding the eBook Ingersoll Rand Air Compressor Owners Manual 2545
  - The Rise of Digital Reading Ingersoll Rand Air Compressor Owners Manual 2545
  - Advantages of eBooks Over Traditional Books
2. Identifying Ingersoll Rand Air Compressor Owners Manual 2545
  - Exploring Different Genres
  - Considering Fiction vs. Non-Fiction
  - Determining Your Reading Goals
3. Choosing the Right eBook Platform
  - Popular eBook Platforms
  - Features to Look for in an Ingersoll Rand Air Compressor Owners Manual 2545
  - User-Friendly Interface
4. Exploring eBook Recommendations from Ingersoll Rand Air Compressor Owners Manual 2545

- Personalized Recommendations
  - Ingersoll Rand Air Compressor Owners Manual 2545 User Reviews and Ratings
  - Ingersoll Rand Air Compressor Owners Manual 2545 and Bestseller Lists
5. Accessing Ingersoll Rand Air Compressor Owners Manual 2545 Free and Paid eBooks
    - Ingersoll Rand Air Compressor Owners Manual 2545 Public Domain eBooks
    - Ingersoll Rand Air Compressor Owners Manual 2545 eBook Subscription Services
    - Ingersoll Rand Air Compressor Owners Manual 2545 Budget-Friendly Options
  6. Navigating Ingersoll Rand Air Compressor Owners Manual 2545 eBook Formats
    - ePub, PDF, MOBI, and More
    - Ingersoll Rand Air Compressor Owners Manual 2545 Compatibility with Devices
    - Ingersoll Rand Air Compressor Owners Manual 2545 Enhanced eBook Features
  7. Enhancing Your Reading Experience
    - Adjustable Fonts and Text Sizes of Ingersoll Rand Air Compressor Owners Manual 2545
    - Highlighting and Note-Taking Ingersoll Rand Air Compressor Owners Manual 2545
    - Interactive Elements Ingersoll Rand Air Compressor Owners Manual 2545
  8. Staying Engaged with Ingersoll Rand Air Compressor Owners Manual 2545
    - Joining Online Reading Communities
    - Participating in Virtual Book Clubs
    - Following Authors and Publishers Ingersoll Rand Air Compressor Owners Manual 2545
  9. Balancing eBooks and Physical Books Ingersoll Rand Air Compressor Owners Manual 2545
    - Benefits of a Digital Library
    - Creating a Diverse Reading Collection Ingersoll Rand Air Compressor Owners Manual 2545
  10. Overcoming Reading Challenges
    - Dealing with Digital Eye Strain
    - Minimizing Distractions
    - Managing Screen Time
  11. Cultivating a Reading Routine Ingersoll Rand Air Compressor Owners Manual 2545
    - Setting Reading Goals Ingersoll Rand Air Compressor Owners Manual 2545
    - Carving Out Dedicated Reading Time
  12. Sourcing Reliable Information of Ingersoll Rand Air Compressor Owners Manual 2545

- Fact-Checking eBook Content of Ingersoll Rand Air Compressor Owners Manual 2545
  - Distinguishing Credible Sources
13. Promoting Lifelong Learning
- Utilizing eBooks for Skill Development
  - Exploring Educational eBooks
14. Embracing eBook Trends
- Integration of Multimedia Elements
  - Interactive and Gamified eBooks

### **Ingersoll Rand Air Compressor Owners Manual 2545 Introduction**

Free PDF Books and Manuals for Download: Unlocking Knowledge at Your Fingertips In today's fast-paced digital age, obtaining valuable knowledge has become easier than ever. Thanks to the internet, a vast array of books and manuals are now available for free download in PDF format. Whether you are a student, professional, or simply an avid reader, this treasure trove of downloadable resources offers a wealth of information, conveniently accessible anytime, anywhere. The advent of online libraries and platforms dedicated to sharing knowledge has revolutionized the way we consume information. No longer confined to physical libraries or bookstores, readers can now access an extensive collection of digital books and manuals with just a few clicks. These resources, available in PDF, Microsoft Word, and PowerPoint formats, cater to a wide range of interests, including literature, technology, science, history, and much more. One notable platform where you can explore and download free Ingersoll Rand Air Compressor Owners Manual 2545 PDF books and manuals is the internet's largest free library. Hosted online, this catalog compiles a vast assortment of documents, making it a veritable goldmine of knowledge. With its easy-to-use website interface and customizable PDF generator, this platform offers a user-friendly experience, allowing individuals to effortlessly navigate and access the information they seek. The availability of free PDF books and manuals on this platform demonstrates its commitment to democratizing education and empowering individuals with the tools needed to succeed in their chosen fields. It allows anyone, regardless of their background or financial limitations, to expand their horizons and gain insights from experts in various disciplines. One of the most significant advantages of downloading PDF books and manuals lies in their portability. Unlike physical copies, digital books can be stored and carried on a single device, such as a tablet or smartphone, saving valuable space and weight. This convenience makes it possible for readers to have their entire library at their fingertips, whether they are commuting, traveling, or simply enjoying a lazy afternoon at home. Additionally, digital files are easily searchable, enabling readers to locate specific information within seconds. With a few keystrokes, users can search for keywords, topics, or phrases, making research and

finding relevant information a breeze. This efficiency saves time and effort, streamlining the learning process and allowing individuals to focus on extracting the information they need. Furthermore, the availability of free PDF books and manuals fosters a culture of continuous learning. By removing financial barriers, more people can access educational resources and pursue lifelong learning, contributing to personal growth and professional development. This democratization of knowledge promotes intellectual curiosity and empowers individuals to become lifelong learners, promoting progress and innovation in various fields. It is worth noting that while accessing free Ingersoll Rand Air Compressor Owners Manual 2545 PDF books and manuals is convenient and cost-effective, it is vital to respect copyright laws and intellectual property rights. Platforms offering free downloads often operate within legal boundaries, ensuring that the materials they provide are either in the public domain or authorized for distribution. By adhering to copyright laws, users can enjoy the benefits of free access to knowledge while supporting the authors and publishers who make these resources available. In conclusion, the availability of Ingersoll Rand Air Compressor Owners Manual 2545 free PDF books and manuals for download has revolutionized the way we access and consume knowledge. With just a few clicks, individuals can explore a vast collection of resources across different disciplines, all free of charge. This accessibility empowers individuals to become lifelong learners, contributing to personal growth, professional development, and the advancement of society as a whole. So why not unlock a world of knowledge today? Start exploring the vast sea of free PDF books and manuals waiting to be discovered right at your fingertips.

### **FAQs About Ingersoll Rand Air Compressor Owners Manual 2545 Books**

How do I know which eBook platform is the best for me? Finding the best eBook platform depends on your reading preferences and device compatibility. Research different platforms, read user reviews, and explore their features before making a choice. Are free eBooks of good quality? Yes, many reputable platforms offer high-quality free eBooks, including classics and public domain works. However, make sure to verify the source to ensure the eBook credibility. Can I read eBooks without an eReader? Absolutely! Most eBook platforms offer webbased readers or mobile apps that allow you to read eBooks on your computer, tablet, or smartphone. How do I avoid digital eye strain while reading eBooks? To prevent digital eye strain, take regular breaks, adjust the font size and background color, and ensure proper lighting while reading eBooks. What the advantage of interactive eBooks? Interactive eBooks incorporate multimedia elements, quizzes, and activities, enhancing the reader engagement and providing a more immersive learning experience. Ingersoll Rand Air Compressor Owners Manual 2545 is one of the best book in our library for free trial. We provide copy of Ingersoll Rand Air Compressor Owners Manual 2545 in digital format, so the resources that you find are reliable. There are also many Ebooks of related

with Ingersoll Rand Air Compressor Owners Manual 2545. Where to download Ingersoll Rand Air Compressor Owners Manual 2545 online for free? Are you looking for Ingersoll Rand Air Compressor Owners Manual 2545 PDF? This is definitely going to save you time and cash in something you should think about. If you trying to find then search around for online. Without a doubt there are numerous these available and many of them have the freedom. However without doubt you receive whatever you purchase. An alternate way to get ideas is always to check another Ingersoll Rand Air Compressor Owners Manual 2545. This method for see exactly what may be included and adopt these ideas to your book. This site will almost certainly help you save time and effort, money and stress. If you are looking for free books then you really should consider finding to assist you try this. Several of Ingersoll Rand Air Compressor Owners Manual 2545 are for sale to free while some are payable. If you arent sure if the books you would like to download works with for usage along with your computer, it is possible to download free trials. The free guides make it easy for someone to free access online library for download books to your device. You can get free download on free trial for lots of books categories. Our library is the biggest of these that have literally hundreds of thousands of different products categories represented. You will also see that there are specific sites catered to different product types or categories, brands or niches related with Ingersoll Rand Air Compressor Owners Manual 2545. So depending on what exactly you are searching, you will be able to choose e books to suit your own need. Need to access completely for Campbell Biology Seventh Edition book? Access Ebook without any digging. And by having access to our ebook online or by storing it on your computer, you have convenient answers with Ingersoll Rand Air Compressor Owners Manual 2545 To get started finding Ingersoll Rand Air Compressor Owners Manual 2545, you are right to find our website which has a comprehensive collection of books online. Our library is the biggest of these that have literally hundreds of thousands of different products represented. You will also see that there are specific sites catered to different categories or niches related with Ingersoll Rand Air Compressor Owners Manual 2545 So depending on what exactly you are searching, you will be able to choose ebook to suit your own need. Thank you for reading Ingersoll Rand Air Compressor Owners Manual 2545. Maybe you have knowledge that, people have search numerous times for their favorite readings like this Ingersoll Rand Air Compressor Owners Manual 2545, but end up in harmful downloads. Rather than reading a good book with a cup of coffee in the afternoon, instead they juggled with some harmful bugs inside their laptop. Ingersoll Rand Air Compressor Owners Manual 2545 is available in our book collection an online access to it is set as public so you can download it instantly. Our digital library spans in multiple locations, allowing you to get the most less latency time to download any of our books like this one. Merely said, Ingersoll Rand Air Compressor Owners Manual 2545 is universally compatible with any devices to read.



**Find Ingersoll Rand Air Compressor Owners Manual 2545 :**

*kdx 200 service manual 1986*

keeway matrix owners manual

**kenmore elite quiet guard ultra manual**

**kenmore electric range owners manual**

kawasaki zr7 haynes manual

kenmore room air conditioner repair parts list model 58074054400

**kenmore 385 1788180 sewing machine manual**

**kayla itsines program review**

**kdl40ex500 manual**

**kebra nagast the glory of kings**

**kawasaki z1100 manual**

kawasaki zrx 1100 owners manual

**kazi guide mbbs anatomy**

*ken uw sport schaatsenrijden*

kellogg on marketing

**Ingersoll Rand Air Compressor Owners Manual 2545 :**

levels 1 and 2 math kangaroo - Jan 13 2022

web the math kangaroo 2023 questions will cover a wide range of topics such as arithmetic algebra geometry probability and statistics these questions are designed to

**mathematical kangaroo 2014 group benjamin grade 5 and 6 - Mar 27 2023**

web mathematical kangaroo 2014 group junior grades 9 und 10 austria 20 3 2014 4 point questions 11 a grandmother her daughter and her granddaughter each have

download pdf exams from previous years math kangaroo usa - Jun 29 2023

web the pdf files contain questions presented to students in math kangaroo from previous years can be viewed or printed these are the original tests given to students at a

past papers kangaroo math questions and solutions portal - Aug 20 2022

web practice practice practice practice makes perfect this is also true with math if you want to become better at working

math problems you need to practice working math

[math kangaroo int l competition in mathematics home page](#) - Feb 11 2022

web title microsoft word 2008 mk sample questions rev 2022 docx author andre created date 2 18 2022 4 44 12 pm

**sign in google accounts** - Mar 15 2022

web genius hour project creative questions inspired by math kangaroo classes new math kangaroo books for grades 1 2 we published a new and improved edition of the

**math kangaroo 2014 mathematics and statistics faculty of** - Sep 20 2022

web ever since the competition has been opened to pupils as well as to senior students followed by 21 european countries forming altogether kangaroo without borders we decide to

[answer keys current and previous years math kangaroo usa](#) - Apr 15 2022

web sign in google accounts

*practice boost your skills for the math kangaroo competition* - Jul 19 2022

web visit our elearning youtube channel or check below sample questions answers and other resources for past years 2021 2020 2019 2018 2017 2016 2015 2014

**canadian math kangaroo contest** - Jun 17 2022

web 2014 questions levels 7 8 summary availability on demand expires 330 days after start cost 1 99 2014 questions levels 7 8 course list create account

**canadian math kangaroo contest** - Jul 31 2023

web 2014 samples click on any of files below and download will start in a new window english questions grades 1 2 grades 11 12 grades 3 4 grades 5 6 grades 7 8 grades 9 10

[math kangaroo past papers homesweet learning](#) - Dec 24 2022

web 2014 math kangaroo sample questions and math kangaroo practice tests grade 7 8 free math kangaroo test prep help grade 7 8 kangaroo 2014 questions pk

[math kangaroo past papers sample questions mentalup](#) - May 29 2023

web mathematical kangaroo 2014 group felix grade 1 and 2 austria 20 3 2014 3 point questions 1 the ladybird would like to sit on his flower the flower has five petals and

*mathematical kangaroo 2014 group ecolier grade 3 and 4* - Jan 25 2023

web we have compiled a list of links to download publicly available math kangaroo past test papers from different countries we encourage you to do the questions in these past

**group felix grade 1 and 2 austria 20 3 mentalup** - Apr 27 2023

web 1 arno lays out the word kangaroo using 8 cards however some cards are turned by turning it twice the letter k can be corrected letter a can be corrected by turning it once

*free sample questions practice math kangaroo* - Sep 01 2023

web 2014 2013 2012 2011 2010 2009 2008 2007 2006 did you know questions are determined well in advance of the actual test date at an annual meeting of all the

mathematical kangaroo 2014 group kadett grade 7 and 8 - Oct 22 2022

web math kangaroo 2014 the math kangaroo contest game is an international activity for students in grades 1 to 12 this year the game will take place on march 29 2015 at

**math kangaroo past papers questions solutions and practice** - Oct 02 2023

web math kangaroo past papers grade 9 10 junior 2009 2023 the table provided below offers a comprehensive list of past math kangaroo exam papers specifically designed

**pdf exams written solutions unlocking math kangaroo secrets** - Nov 10 2021

grade 7 8 kangaroo 2014 questions pk homesweet learning - Nov 22 2022

web what is the latest possible date on which the competition could take place a 14 march b 15 march c 20 march d 21 march e 22 march 2 how many quadrilaterals of any

2014 questions levels 7 8 oasis lms - May 17 2022

web answer keys math kangaroo will post the answer key one month after the first day of the competition math kangaroo plans to release the results before or on may 1st the

mathematical kangaroo 2014 group junior grades 9 und - Feb 23 2023

web mathematical kangaroo 2014 group ecolier grade 3 and 4 austria 20 3 2014 3 point questions 1 luisa draws a star she cuts a piece out of the middle of the drawing

mastering the math kangaroo 2023 your guide to questions - Dec 12 2021

web 2005 2006 2007 2008 2009 2010 2011 2012 2013 2014 2015 2016 2017 2018 2019 2020 2021 2022 2023 get pdf exams written solutions for math kangaroo view or print

**darth plagueis villains wiki fandom** - Jul 20 2023

web darth plagueis is the overarching antagonist of the skywalker saga and one of the two overarching antagonists alongside darth bane of the star wars franchise as a whole born under the name hego damask ii in legends he is a muun dark lord of the sith heir to the lineage of darth bane and a

star wars darth plagueis review ign - Mar 16 2023

web feb 3 2012 [darth plagueis is a densely packed book with many characters spanning several decades of the star wars timeline luceno manages to juggle the numerous character voices well with a strong command](#)

[darth plagueis star wars guide ign](#) - May 18 2023

web sep 29 2015 [darth plagueis the wise is a dark lord of the sith and master of darth sidious the emperor palpatine his history and characteristics from new canon source materials are recorded below](#)

**[darth plagueis superstarwars wiki fandom](#)** - Feb 15 2023

web [darth plagueis also known as darth plagueis the wise was amuun dark lord of the sith heir to the lineage of darth bane and a master of midi chlorian manipulation who lived during the century leading up to the invasion of naboo obsessed with eternal life plagueis experimented with ways to cheat death and create new life from the midi](#)

**[darth plagueis wookieepedia fandom](#)** - Aug 21 2023

web [darth plagueis publicly known as hego damask ii and remembered as darth plagueis the wise was a male muun powerful dark lord of the sith hailing from the planet mygeeto damask was born between 147 and 120 bby to a female muun and a male muun his mother discovered his sensitivity to the](#)

**[after 16 years star wars canon gives first look of darth plagueis](#)** - Jun 19 2023

web oct 18 2021 [further explored in the non canon star wars universe star wars legends darth plagueis as explained in revenge of the sith mentored a young palpatine up until his death](#)

[who is emperor palpatine s master darth plagueis collider](#) - Apr 17 2023

web sep 25 2023 [darth plagueis born as hego damask was manipulated by darth tenebrous to become a sith lord who craved power and immortality plagueis took sheev palpatine as his apprentice together](#)

[darth plagueis wookieepedia fandom](#) - Oct 23 2023

web [darth plagueis pronounced pleig əs was a force sensitive male muun dark lord of the sith and the sith master of darth sidious plagueis lusted for immortality believing the secret laid in science to that end he worked with his sith apprentice conducting research into bioengineering and](#)

**[darth plagueis simple english wikipedia the free encyclopedia](#)** - Jan 14 2023

web [darth plagueis is a sith in the star wars universe he was the teacher of palpatine he was first mentioned in star wars episode iii revenge of the sith by palpatine to anakin skywalker and became a character in various novels biography darth plagueis the wise was a feared sith lord who wanted to bring people back to life including his own](#)

[darth plagueis wikipedia](#) - Sep 22 2023

web [a sith lord with the ability to cheat death and create life plagueis is the mentor of sheev palpatine darth sidious who in accordance to the sith s rule of two eventually betrays plagueis by murdering him in his sleep taking his place as sith master](#)

*cometas en el cielo the kite runner letras de bolsillo spanish* - Jun 15 2023

web la inolvidable y desgarradora historia de la improbable amistad entre un niño rico y el hijo del sirviente de su padre atrapado en el trágico recorrido de la historia cometas en el cielo transporta a los lectores a afganistán en un momento

cometas en el cielo 26 letras de bolsillo by khaled hosseini - Nov 08 2022

web jun 20 2023 this cometas en el cielo 26 letras de bolsillo by khaled hosseini as one of the predominant working sellers here will thoroughly be associated with by the best possibilities to review

**cometa en el cielo traducción al inglés linguae** - Dec 29 2021

web muchos ejemplos de oraciones traducidas contienen cometa en el cielo diccionario inglés español y buscador de traducciones en inglés

*cometas en el cielo letras de bolsillo on onbuy* - Jan 10 2023

web cometas en el cielo letras de bolsillo sobre el telón de fondo de un afganistán respetuoso de sus ricas tradiciones

cometas en el cielo 26 letras de bolsillo analytics testkestories - Jul 04 2022

web cometas en el cielo 26 letras de bolsillo pdf cometas en el cielo 26 letras de bolsillo 2 downloaded from analytics test makestories io on by guest preciados de estados unidos english description the 1 new york times bestselling debut novel that introduced khaled hosseini to millions of readers the world over the unforgettable

*cometas en el cielo portada puede variar 26 amazon com mx* - Apr 13 2023

web cometas en el cielo portada puede variar 26 libro de bolsillo 15 febrero 2019 cometas en el cielo portada puede variar 26 libro de bolsillo 15 febrero 2019 por khaled hosseini autor isabel murillo fort traductor 3 410 calificaciones ver todos los formatos y ediciones

*cometas en el cielo 26 letras de bolsillo by khaled hosseini* - Jun 03 2022

web aug 19 2023 etas en el cielo letras de bolsillo co uk etas en el cielo de khaled hosseini iberlibro khaled hosseini etas en el cielo 2 de 6 etas en el cielo the kite runner karaoke cometas por el cielo la oreja de van gogh etas en el cielo la escafandra columnas de etas en el cielo la historia en mis libros eta cielo libros revistas y ics en mercado

*cometas en el cielo 26 letras de bolsillo copy ci kubesail* - Oct 07 2022

web cometas en el cielo 26 letras de bolsillo el cometa halley descripción general del observatorio su posición geográfica y observaciones de cometas y de estrellas dobles

**cometas en el cielo 26 letras de bolsillo by khaled hosseini** - Aug 05 2022

web cometas en el cielo 26 letras de bolsillo by khaled hosseini librería desnivel etas en el cielo sobre el telón de fondo de un afganistán respetuoso de sus ricas tradiciones

cometas en el cielo letras de bolsillo by hosseini khaled - Feb 11 2023

web cometas en el cielo letras de bolsillo by hosseini khaled 2008 paperback amazon es libros  
[cometas en el cielo letras de bolsillo amazon com tr](#) - May 14 2023

web cometas en el cielo letras de bolsillo hosseini khaled amazon com tr kitap  
[cometas en el cielo the kite runner 26 letras de bolsillo](#) - Mar 12 2023

web cometas en el cielo the kite runner 26 letras de bolsillo hosseini khaled amazon co uk books  
**cometas en el cielo 26 letras de bolsillo by khaled hosseini** - Apr 01 2022

web may 24 2023 el colorido de una ciudad confiada en su futuro e ignorante de que se avecina uno de los periodos más cruentos y tenebrosos que han padecido los milenarios pueblos que la habitan cometas en el cielo es la conmovedora historia de dos padres y

*cometas en el cielo letras de bolsillo el en cometas cielo* - Dec 09 2022

web isabel allende narra a su hija paula todo lo que ha sucedido con la familia desde el momento en que ella murió el lector vive junto con la autora la superación personal

*cometas en el cielo the kite runner letras de bolsillo* - Jul 16 2023

web mar 9 2009 la inolvidable y desgarradora historia de la improbable amistad entre un niño rico y el hijo del sirviente de su padre atrapado en el trágico recorrido de la historia cometas en el cielo transporta a los lectores a afganistán en un momento tenso y crucial de cambio y destrucción una poderosa historia de amistad también trata sobre el

**cometas en el cielo 26 letras de bolsillo jill pellettieri** - May 02 2022

web demasiado Éste no es el caso de la historia del señor fox un afamado escritor que no puede evitar matar a todas las protagonistas de sus novelas incluida su esposa daphne pero un día mary su musa se hace real y transforma al autor en un personaje literario con lo que la vida del señor fox da un giro sorprendente mary le desafía

**cometas en el cielo wikipedia la enciclopedia libre** - Jan 30 2022

web cometas en el cielo para novela homónima véase cometas en el cielo novela cometas en el cielo es una película dirigida por marc forster y basada en la novela homónima del escritor afgano estadounidense khaled hosseini

**cometas en el cielo 26 salamandra bolsillo amazon es** - Aug 17 2023

web es una novela de historias humanas y realmente duras de debilidades y complejos del peso de la culpa de las desigualdades a las que no puedes escapar de aprender a vivir en la miseria enseña valores fundamentales como la amistad el honor y el amor maravillosos todos y cada uno de los personajes

**cometas en el cielo 26 letras de bolsillo by khaled hosseini** - Sep 06 2022

web jun 20 2023 cometas en el cielo 26 letras de bolsillo by khaled hosseini preferably than taking pleasure in a fine novel with a cup of beverage in the morning instead they are facing with some harmful bugs inside their laptop

**cometas en el cielo novela wikipedia la enciclopedia libre** - Feb 28 2022

web cometas en el cielo en inglés the kite runner publicada en 2003 es la primera novela del escritor estadounidense de origen afgano khaled hosseini su edición en español fue publicada al año siguiente por salamandra traducida por isabel murillo fort 1 el libro narra la historia de amir un niño del barrio wazir akbar jan de kabul y de su mejor