

KENMORE ELECTRIC WALL OVEN INSTALLATION INSTRUCTIONS

(and Optional Electric or Gas Cooktop Combination)

INSTALLATION AND SERVICE MUST BE PERFORMED BY A QUALIFIED INSTALLER. IMPORTANT: SAVE FOR LOCAL ELECTRICAL INSPECTOR'S USE. READ AND SAVE THESE INSTRUCTIONS FOR FUTURE REFERENCE.

⚠ WARNING FOR YOUR SAFETY: Do not store or use gasoline or other flammable vapors and liquids in the vicinity of this or any other appliance.

Your new wall oven has been designed to fit a limited variety of cutout sizes to make the job of installing easier. The first step of your installation should be to measure your current cutout dimensions and compare them to the cutout dimensions chart below for your model. You may find little or no cabinet work being necessary.

⚠ WARNING Do not remove spacers (if equipped) on the side walls and/or on the back of the built-in oven. These spacers center the oven in the space provided. The oven must be centered to prevent excess heat buildup that may result in heat damage or fire.

NOTES:

1. Base must be capable of supporting 150 pounds (68 kg) for 27" models and 200 pounds (90 kg) for 30" models.
2. Allow at least 2 1/4" (53.3 cm) clearance in front of oven for door depth when it is open.
3. Dimension **G** (cutout depth) is critical to the proper installation of the built-in oven. If the oven decorative trim does not butt against the cabinet, or if noise is heard on convection models, verify dimension **G** to assure it is the required depth.
4. For a cutout height greater than 27 1/4" (70.6 cm) add one 2" (5 cm) wide wood shim of appropriate height to each side of the opening under the appliance side rails.

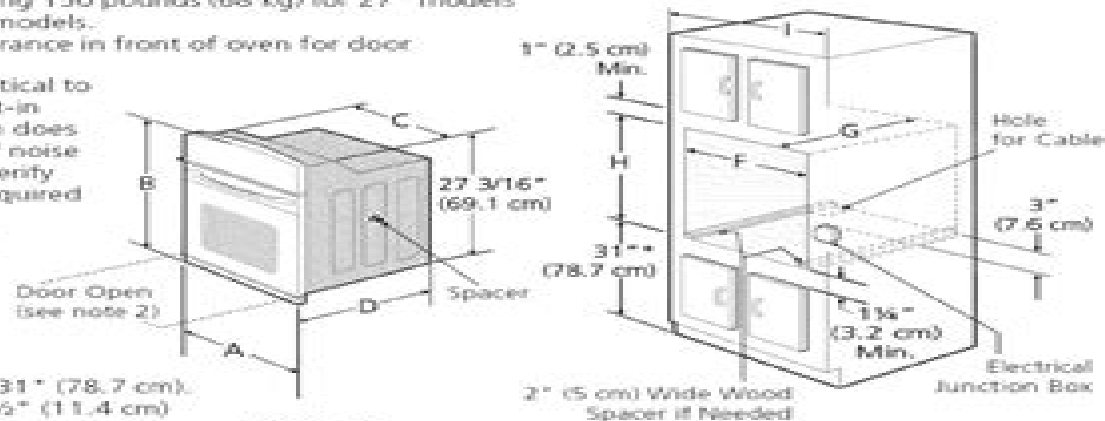


Figure 1
27" and 30" Single Wall Ovens (Double ovens see Figure 2)

PRODUCT DIMENSIONS							
MODEL	A		B		C		D
27" (68.6 cm) Wall Oven	27 (68.6)		29 1/4 (73.8)		24 3/4 (62.5)		24 1/2 (62.2)
30" (76.2 cm) Wall Oven	30 (76.2)		29 1/4 (73.8)		28 3/4 (73.8)		24 1/2 (62.2)
CUTOUT DIMENSIONS AND CABINET WIDTH							
MODEL	Min.	F	Max.	G (Min.)	Min.	H	Max.
27" (68.6 cm) Wall Oven	24 1/4 (63.2)		25 1/4 (64.1)	23 3/4 (59.7)	27 1/4 (69.2)	28 1/4 (72.4)	27 1/4 (68.9) Min
30" (76.2 cm) Wall Oven	28 1/4 (72.4)		29 (73.7)	23 3/4 (59.7)	27 1/4 (69.2)	28 1/4 (72.4)	30 1/4 (76.5) Min

All dimensions are in inches (cm).

Kenmore Oven Service Manual

D Kirk



Kenmore Oven Service Manual:

Embark on a breathtaking journey through nature and adventure with Crafted by is mesmerizing ebook, Witness the Wonders in **Kenmore Oven Service Manual** . This immersive experience, available for download in a PDF format (*), transports you to the heart of natural marvels and thrilling escapades. Download now and let the adventure begin!

<http://www.armchairempire.com/data/browse/default.aspx/Kawasaki%20Versys%20Kle650%202010%202011%20Factory%20Repair%20Manual.pdf>

Table of Contents Kenmore Oven Service Manual

1. Understanding the eBook Kenmore Oven Service Manual
 - The Rise of Digital Reading Kenmore Oven Service Manual
 - Advantages of eBooks Over Traditional Books
2. Identifying Kenmore Oven Service Manual
 - Exploring Different Genres
 - Considering Fiction vs. Non-Fiction
 - Determining Your Reading Goals
3. Choosing the Right eBook Platform
 - Popular eBook Platforms
 - Features to Look for in an Kenmore Oven Service Manual
 - User-Friendly Interface
4. Exploring eBook Recommendations from Kenmore Oven Service Manual
 - Personalized Recommendations
 - Kenmore Oven Service Manual User Reviews and Ratings
 - Kenmore Oven Service Manual and Bestseller Lists
5. Accessing Kenmore Oven Service Manual Free and Paid eBooks
 - Kenmore Oven Service Manual Public Domain eBooks
 - Kenmore Oven Service Manual eBook Subscription Services
 - Kenmore Oven Service Manual Budget-Friendly Options

6. Navigating Kenmore Oven Service Manual eBook Formats
 - ePub, PDF, MOBI, and More
 - Kenmore Oven Service Manual Compatibility with Devices
 - Kenmore Oven Service Manual Enhanced eBook Features
7. Enhancing Your Reading Experience
 - Adjustable Fonts and Text Sizes of Kenmore Oven Service Manual
 - Highlighting and Note-Taking Kenmore Oven Service Manual
 - Interactive Elements Kenmore Oven Service Manual
8. Staying Engaged with Kenmore Oven Service Manual
 - Joining Online Reading Communities
 - Participating in Virtual Book Clubs
 - Following Authors and Publishers Kenmore Oven Service Manual
9. Balancing eBooks and Physical Books Kenmore Oven Service Manual
 - Benefits of a Digital Library
 - Creating a Diverse Reading Collection Kenmore Oven Service Manual
10. Overcoming Reading Challenges
 - Dealing with Digital Eye Strain
 - Minimizing Distractions
 - Managing Screen Time
11. Cultivating a Reading Routine Kenmore Oven Service Manual
 - Setting Reading Goals Kenmore Oven Service Manual
 - Carving Out Dedicated Reading Time
12. Sourcing Reliable Information of Kenmore Oven Service Manual
 - Fact-Checking eBook Content of Kenmore Oven Service Manual
 - Distinguishing Credible Sources
13. Promoting Lifelong Learning
 - Utilizing eBooks for Skill Development
 - Exploring Educational eBooks
14. Embracing eBook Trends
 - Integration of Multimedia Elements

- Interactive and Gamified eBooks

Kenmore Oven Service Manual Introduction

Kenmore Oven Service Manual Offers over 60,000 free eBooks, including many classics that are in the public domain. Open Library: Provides access to over 1 million free eBooks, including classic literature and contemporary works. Kenmore Oven Service Manual Offers a vast collection of books, some of which are available for free as PDF downloads, particularly older books in the public domain. Kenmore Oven Service Manual : This website hosts a vast collection of scientific articles, books, and textbooks. While it operates in a legal gray area due to copyright issues, its a popular resource for finding various publications. Internet Archive for Kenmore Oven Service Manual : Has an extensive collection of digital content, including books, articles, videos, and more. It has a massive library of free downloadable books. Free-eBooks Kenmore Oven Service Manual Offers a diverse range of free eBooks across various genres. Kenmore Oven Service Manual Focuses mainly on educational books, textbooks, and business books. It offers free PDF downloads for educational purposes. Kenmore Oven Service Manual Provides a large selection of free eBooks in different genres, which are available for download in various formats, including PDF. Finding specific Kenmore Oven Service Manual, especially related to Kenmore Oven Service Manual, might be challenging as theyre often artistic creations rather than practical blueprints. However, you can explore the following steps to search for or create your own Online Searches: Look for websites, forums, or blogs dedicated to Kenmore Oven Service Manual, Sometimes enthusiasts share their designs or concepts in PDF format. Books and Magazines Some Kenmore Oven Service Manual books or magazines might include. Look for these in online stores or libraries. Remember that while Kenmore Oven Service Manual, sharing copyrighted material without permission is not legal. Always ensure youre either creating your own or obtaining them from legitimate sources that allow sharing and downloading. Library Check if your local library offers eBook lending services. Many libraries have digital catalogs where you can borrow Kenmore Oven Service Manual eBooks for free, including popular titles. Online Retailers: Websites like Amazon, Google Books, or Apple Books often sell eBooks. Sometimes, authors or publishers offer promotions or free periods for certain books. Authors Website Occasionally, authors provide excerpts or short stories for free on their websites. While this might not be the Kenmore Oven Service Manual full book , it can give you a taste of the authors writing style. Subscription Services Platforms like Kindle Unlimited or Scribd offer subscription-based access to a wide range of Kenmore Oven Service Manual eBooks, including some popular titles.

FAQs About Kenmore Oven Service Manual Books

1. Where can I buy Kenmore Oven Service Manual books? Bookstores: Physical bookstores like Barnes & Noble, Waterstones, and independent local stores. Online Retailers: Amazon, Book Depository, and various online bookstores offer a wide range of books in physical and digital formats.
2. What are the different book formats available? Hardcover: Sturdy and durable, usually more expensive. Paperback: Cheaper, lighter, and more portable than hardcovers. E-books: Digital books available for e-readers like Kindle or software like Apple Books, Kindle, and Google Play Books.
3. How do I choose a Kenmore Oven Service Manual book to read? Genres: Consider the genre you enjoy (fiction, non-fiction, mystery, sci-fi, etc.). Recommendations: Ask friends, join book clubs, or explore online reviews and recommendations. Author: If you like a particular author, you might enjoy more of their work.
4. How do I take care of Kenmore Oven Service Manual books? Storage: Keep them away from direct sunlight and in a dry environment. Handling: Avoid folding pages, use bookmarks, and handle them with clean hands. Cleaning: Gently dust the covers and pages occasionally.
5. Can I borrow books without buying them? Public Libraries: Local libraries offer a wide range of books for borrowing. Book Swaps: Community book exchanges or online platforms where people exchange books.
6. How can I track my reading progress or manage my book collection? Book Tracking Apps: Goodreads, LibraryThing, and Book Catalogue are popular apps for tracking your reading progress and managing book collections. Spreadsheets: You can create your own spreadsheet to track books read, ratings, and other details.
7. What are Kenmore Oven Service Manual audiobooks, and where can I find them? Audiobooks: Audio recordings of books, perfect for listening while commuting or multitasking. Platforms: Audible, LibriVox, and Google Play Books offer a wide selection of audiobooks.
8. How do I support authors or the book industry? Buy Books: Purchase books from authors or independent bookstores. Reviews: Leave reviews on platforms like Goodreads or Amazon. Promotion: Share your favorite books on social media or recommend them to friends.
9. Are there book clubs or reading communities I can join? Local Clubs: Check for local book clubs in libraries or community centers. Online Communities: Platforms like Goodreads have virtual book clubs and discussion groups.
10. Can I read Kenmore Oven Service Manual books for free? Public Domain Books: Many classic books are available for free as they're in the public domain. Free E-books: Some websites offer free e-books legally, like Project Gutenberg or Open Library.

Find Kenmore Oven Service Manual :

[kawasaki versys kle650 2010 2011 factory repair manual](#)

[kawasaki zx12r 2005 factory service repair manual](#)

kelley blue book for rvs

kawasaki zx10r service manual 06

[keep turning right youll get there eventually](#)

[kawasaki z series z1 z900 motorcycle full service repair manual 1972 1976](#)

[kayla itsines guia en espaol](#)

[kelley blue book used car guide consumer edition july september 2014](#)

[kawasaki zxr400 motorcycle service manual](#)

[keihin cv carb manual float level](#)

[kenmore quiet standard dishwasher manual](#)

keeway x ray manual

kenmore air conditioner manual 35712

kenmore kitchen grill user manual

keith haring i wish i didnt have to sleep

Kenmore Oven Service Manual :

partner gbv 325 instruction manual pdf - Dec 06 2022

web how to start a partner b325 strimmer we were given one of these trimmers partner b325 and no manual how does it start rach stewart july 2011 garden tools grass

partner petrol strimmer ebay - May 31 2022

web partner b325 petrol strimmer trimmer ignition coil tested opens in a new window or tab parts only private eur 18 38 customs services and international tracking

partner trimmer freischneider b 325 ersatzteile und zubehör - Dec 26 2021

web replacement spare part suitable for select models of mcculloch black decker gardena partner and bosch grass trimmers more information in stock stock number

ipl partner b325 2000 09 brush cutter motoruf - Aug 14 2023

web ipl partner b325 2000 09 brush cutter author partner subject aipl2000 530081342 keywords petrol chainsaw created

date 4 25 2002 8 13 48 am

partner strimmer ebay - Feb 25 2022

web may 29 2023 find many great new used options and get the best deals for partner strimmer b325 ignition coil at the best online prices at ebay free shipping for many

[ipl partner b325 952715251 1994 01 trimmer yumpu](#) - Aug 02 2022

web partner b325 strimmer parts brushcutter blade 14 50 gbp tax included shipping calculated at checkout quantity add to cart

ipl partner b325 952715251 1994 01 trimmer motoruf - Mar 09 2023

web no part no 15300157 73 2 5300275 29 3 5300275 30 4 5300158 49 5 5300158 52 6 5300152 54 7 5300275 26 8 5300275 27 9 5300692 47 10 5300143 62 n 11 5300353 48

partner b325 strimmer parts brushcutter blade scspares - Apr 29 2022

web feb 24 2022 find many great new used options and get the best deals for partner b325 petrol strimmer flexible drive shaft spring offers invited at the best online

[partner trimmer strimmer brush cutter parts jagg mowers](#) - Nov 05 2022

web aug 15 2013 ipl partner b325 952715251 1994 01 trimmer en english deutsch français español português italiano român nederlands latina dansk svenska norsk

partner b325 trimmer parts jagg mowers and machinery - Jun 12 2023

web partner b325 trimmer parts home click here to browse parts categories partner parts and spares partner trimmer strimmer brush cutter parts partner b325 trimmer

partner string trimmer parts for sale ebay - Oct 24 2021

partner trimmer parts and spares ransom spares - Jul 01 2022

web buy it now partner b325 petrol strimmer complete exhaust muffler silencer springs add to watch list more to explore petrol trimmers strimmer springs titan petrol

partner b325 petrol strimmer ebay - Oct 04 2022

web partner trimmer spares parts top selling partner trimmers spares strimmer head p25 2 0mm x 23 90 inlet pipe 8 60 fuel tank hose pipe gromm 8 70 spark

partner b 325 grass trimmer spares espares - Sep 22 2021

partner b325 grass trimmer spares espares - Jul 13 2023

web compatible spare part for select models of black decker bosch gardena mcculloch and partner grass trimmers more information in stock stock number es1032759

partner b 325 trimmer brushcutter parts partmaster - May 11 2023

web partner b 325 trimmer brushcutter parts get the partner trimmer brushcutter parts you need at partmaster our partner trimmer brushcutter parts range is available for

how to start a partner b325 strimmer answered mend - Sep 03 2022

web partner b325 petrol strimmer clutch drum offers invited opens in a new window or tab pre owned private eur 14 20 customs services and international tracking provided

partner strimmer b325 ignition coil ebay - Nov 24 2021

partner b325 petrol strimmer ebay - Jan 07 2023

web find many great new used options and get the best deals for partner b325 petrol strimmer at the best online prices at ebay free delivery for many products

ipl partner b325 2000 09 brush cutter yumpu - Feb 08 2023

web home click here to browse parts categories partner parts and spares partner trimmer strimmer brush cutter parts partner b246 trimmer parts partner b250

ipl partner b325 952715251 1996 01 trimmer motoruf - Apr 10 2023

web clamp handlebar screw clamp handlebar cutting head ass y drive shaft pad t handle ass y shield kit ass y incl 10 11 12 screw line limiter line limiter

partner b325 petrol strimmer complete exhaust muffler silencer - Mar 29 2022

web partner trimmer freischneider b 325 ersatzteile und zubehör finden sie bei 365ersatzteile in großer auswahl wir verfügen über eine große bandbreite an ersatzteilen für ihre

partner b325 petrol strimmer flexible drive shaft spring ebay - Jan 27 2022

web partner b325 petrol strimmer flexible drive shaft spring offers invited 17 57 18 74 shipping or best offer mountfield mjh 2424 hedge trimmer air filter and

law of sales in singapore singapore academy of law - Sep 18 2023

web share law of sales in singapore buy it sgd 64 20 trade is a keystone of the singapore economy and sales of goods comprise a substantial portion of that trade agreements for the sale and purchase of goods are subject to one of two statutes in singapore domestic sales and all consumer sales are governed by the sale of goods act soga

law of sales and security devices orientation sutd edu - Dec 09 2022

web this is in addition one of the aspects by securing the digital files of this law of sales and security devices by online when people should go to the digital bookshops explore onset by store section by section it is in point of certainly challenging

law of sales and security devices orientation sutd edu sg - May 14 2023

web law of sales and security devices law of sales and security devices law wikipedia business news personal finance and money news abc news perimeter security devices services systems gateway 18 u s code 921 definitions us law lii legal electronic security sales representative virginia

law of sales and security devices - Oct 07 2022

web handbook of the law of sales lawrence vold 1959 april 22 and 23 1954 pages 1763 2443 united states congress senate committee on finance 1954 cases on the law of sales george gleason bogert 1956 company security interests great britain law commission 2004 following on from a previous consultation paper on this topic law

law of sales and security devices handoutset - Aug 17 2023

web law of sales and security devices dept of law ethiopian universities teaching materials according to the harmonize curriculum

law of sales and security devices thegreenroute - Apr 01 2022

web 2 2 law of sales and security devices 2021 02 26 they can be agreed upon by the parties within the framework of the rules of private international law

law of sales and security devices secure mowtampa - Feb 28 2022

web law of sales and security devices 3 3 5 and 7 in the uniform commercial code and related federal statutes a sensible flexible organization follows the order of the ucc and is adaptable to many teaching styles drawing on experience in both teaching and writing the authors provide thorough and practical coverage using a popular problems

law of sales and security devices ethiopian legal brief - Oct 19 2023

web 1 1 the subject matter of law of sales as knowing the subject matter of law of sales is of paramount importance in understanding the general nature of law of sales contract existing goods goods belonging to third parties future goods contingent goods and price as a subject matter of law of sales will be discussed thus

sales and security devices abyssinia law - Jan 10 2023

web sales and security devices 0 sentencing and execution 4 succession law 6 taxation law 4 trade and business organizations 2 administrative contract 16 federalism 3 discover where aspiring legal scholars find a wealth of meticulously curated legal articles dive into comprehensive resources that pave the way for successful

law of security devices pptx law of security devices - Mar 12 2023

web law of security devices introduction the law security devices is one of the sets of laws rules and principle formulated to

regulate and faster the smooth running of business transactions it governs the relation b n creditors and debtors regarding the performance of various obligations with a special focus on the credit system

[law of sales and security devices pdf sales property scribd](#) - Apr 13 2023

web law of sales security device laws 571 fthe civil code under article 2348 tells us of instances where in the seller can unilaterally cancel the contract of sale which is an exception to the rule envisaged under article 2347 of the civil code the three situations under art 2348 are laid down as follows

law of sales and security devices stage gapinc - Jul 04 2022

web law of sales and security devices 3 3 abstract the paper briefly discusses the major points of the ethiopian law of contract of sales according to article 2266 of the civil code sale is a contract whereby one of the parties called the seller undertakes to

trade secret laws regulations directives in singapore - Feb 11 2023

web limit access to trade secrets ensure that only certain categories of personnel e g management or the department in charge of a project have access to such information the limitation of access can either be physical or

[law of sales and security devices](#) - May 02 2022

web merely said the law of sales and security devices is universally compatible subsequently any devices to read cases on the law of sales george gleason bogert 1956 understanding property law john g sprankling 2012 01 01 understanding property law is a comprehensive and authoritative treatise from our

[ch 09 domestic sale of goods singaporelawwatch sg](#) - Jul 16 2023

web a domestic sale of goods in singapore governed by the sale of goods act sga 9 1 1 the law relating to the domestic sale of goods in singapore is governed by the sga cap 393 1999 rev ed this is based on the english sale of goods act 1979 which was re enacted in singapore in sga applies in the context of the general common law and

tesfaye g fetewi m 2009 law of sales and security devices - Nov 08 2022

web by doing so the paper will help 1 the potential contracting parties to choice the best and suitable governing law s or provisions of a given law and 2 the ethiopian government to understand which international convention and principles should be adopted by a country and in which provisions of a given law should the government put its reservation

haramaya university researchgate - Aug 05 2022

web these forms of security in the course law of sales and security devices laws 312 law of contracts ii haramaya university college of law 2 objectives

doc law of sales and security devices teaching material prepared - Jun 15 2023

web this article examines the development of the law on security over personal property and its interaction with the law on

mortgages over real property it demonstrates that the usual understand of the rules on fixtures and fittings must be re examined in light of the history

law of sales and security devices doc template pdfiller - Sep 06 2022

web the law of sales and security devices is a writable document that can be completed and signed for certain purpose then it is furnished to the actual addressee in order to provide certain information of certain kinds the completion and signing is possible manually or with a suitable tool like pdfiller

law of sales and security devices download only stage gapinc - Jun 03 2022

web 2 law of sales and security devices 2023 04 13 contracts distribution contracts and security rights renting contracts and loan agreements negotiorum gestio delicts and unjustified enrichment law transfer of property and trust law

brs pharmacology board review series amazon co uk - Apr 16 2023

web buy brs pharmacology board review series 7th edition by sarah lerchenfeldt gary rosenfeld ph d isbn 9781975105495 from amazon s book store everyday low prices and free delivery on eligible orders

board review series wolters kluwer lww - Jul 19 2023

web board review series showing 1 19 of 19 items filter clear all book brs cell biology and histology october 1 2024 edition 9 usd 59 99 add to cart instant checkout wish list book new release serie rt fisiología march 17 2023 edition 8 usd 47 00 add to cart instant checkout wish list book brs neuroanatomy january 1 2024

board review series wolters kluwer lww - Jun 18 2023

web board review series 14 publication year 2014 brs pharmacology isbn issn 9781975105563

brs patoloji İstanbul tıp kitabevi - Mar 03 2022

web brs patoloji 450 00 sepete ekle isbn 9786054949878 yayınevi İstanbul tıp kitabevleri favorilere ekle açıklama yorumlar Çok geniş teorik ve pratik yükü olan patoloji konuları özellikle tıp fakültesi öğrencileri ve patoloji asistanlarının gözünü korkutmaktadır

brs pharmacology board review series open library - Jan 13 2023

web oct 1 1997 availability 2 brs pharmacology board review series october 1 1997 lippincott williams wilkins paperback in english 3 edition 0683180509 9780683180503 aaaa not in library libraries near you worldcat

□□□ □□□□□ brs board review series 2018 medic4arab com - Feb 02 2022

web brs board review series the leading physiology book on the market this bestselling title in the board review series offers a concise highly efficient review of all essential physiology concepts covered in the first and second year of medical school as well as more than 350 clinical vignette style multiple choice questions to help students

İstanbul tıp kitabevi brs farmakoloji fiyatı yorumları trendyol - Apr 04 2022

web İstanbul tıp kitabevi brs farmakoloji yorumlarını inceleyin trendyol a özel indirimli fiyata satın alın marka İstanbul tıp kitabevi İndirim kuponlarım

texts board review series health library - Aug 08 2022

web board review series behavioral science 7e barbara fadem board review series behavioral science 8e barbara fadem board review series biochemistry molecular biology and genetics 7e michael a lieberman rick rizer board review series pathology 6e mary elizabeth peyton gupta brs gross anatomy 9e nancy l

brs pharmacology board review series open library - Sep 09 2022

web jul 1 2006 brs pharmacology by gary c rosenfeld jul 1 2006 lippincott williams wilkins edition paperback in english 4 edition

brs pharmacology board review series amazon com - Jan 01 2022

web sep 14 2013 there is a newer edition of this item brs pharmacology board review series 58 88 55 only 9 left in stock order soon brs pharmacology is designed for medical students dental students and other students preparing to

brs pharmacology board review series softcover - Feb 14 2023

web the popular brs series format presents concise coverage of the general principles of drug mechanisms and detailed descriptions of how drugs act on major body systems delivering vital information in a succinct streamlined approach favored by today s students

brs farmakoloji İstanbul tıp kitabevi - Oct 10 2022

web brs farmakoloji 450 00 sepete ekle isbn 9786054949847 yayınevi İstanbul tıp kitabevleri favorilere ekle açıklama yorumlar tıbbi farmakolojinin bu kısa değerlendirmesi tıp dış hekimliği ve sağlıkla ilgili diğer meslek gruplarındaki öğrenciler için tasarlanmıştır bu kitap alışlagelmiş detaylar olmaksızın

brs pharmacology 7e board review series health library - Aug 20 2023

web chapter 1 fundamental principles of pharmacology p1 23 chapter 2 drugs acting on the autonomic nervous system p24 54 chapter 3 drugs acting on the renal system p55 66 chapter 4 drugs acting on the cardiovascular system p67 91 chapter 5 drugs acting on the central nervous system

brs pharmacology board review series gary c - Jul 07 2022

web this concise review of medical pharmacology is designed to help medical students streamline their study for course review and help prepare for the usmle step 1 each chapter presents specific drugs and discusses their general properties mechanism of action pharmacologic effects therapeutic uses and adverse effects

brs pharmacology board review series amazon com - Sep 21 2023

web aug 20 2019 the popular brs series format presents concise coverage of the general principles of drug mechanisms and

detailed descriptions of how drugs act on major body systems delivering vital information in a succinct streamlined approach favored by

[brs pharmacology board review series a z bookstore](#) - Jun 06 2022

web a z bookstore provides more than 10 000 titles in all elds of science and knowledge in addition to many medical tools anatomical models and antomy charts

[brs pharmacology lww](#) - May 17 2023

web features brs pharmacology seventh edition equips medical dental and other health professions students with the preparation needed to excel on licensing examinations and confidently transition to healthcare practice

brs pharmacology board review series 7th edition - Nov 11 2022

web pharmacology feb192020 the popular brs series format presents concise coverage of the general principles of drug mechanisms and detailed descriptions of how drugs act on major body systems delivering vital information in a succinct streamlined approach favored by today s students

brs pharmacology board review series 7th edition high - May 05 2022

web series board review series paperback 384 pages publisher lww seventh edition august 10 2019 language english isbn 10 1975105494 isbn 13 978 1975105495

[brs pharmacology 7e medical education health library](#) - Nov 30 2021

web chapter 1 fundamental principles of pharmacology p1 23 chapter 2 drugs acting on the autonomic nervous system p24 54 chapter 3 drugs acting on the renal system p55 66 chapter 4 drugs acting on the cardiovascular system p67 91 chapter 5 drugs acting on the central nervous system

brs pharmacology board review series amazon in - Mar 15 2023

web amazon in buy brs pharmacology board review series book online at best prices in india on amazon in read brs pharmacology board review series book reviews author details and more at amazon in free delivery on qualified orders

amazon com customer reviews brs pharmacology board - Dec 12 2022

web nov 2 2018 find helpful customer reviews and review ratings for brs pharmacology board review series at amazon com read honest and unbiased product reviews from our users