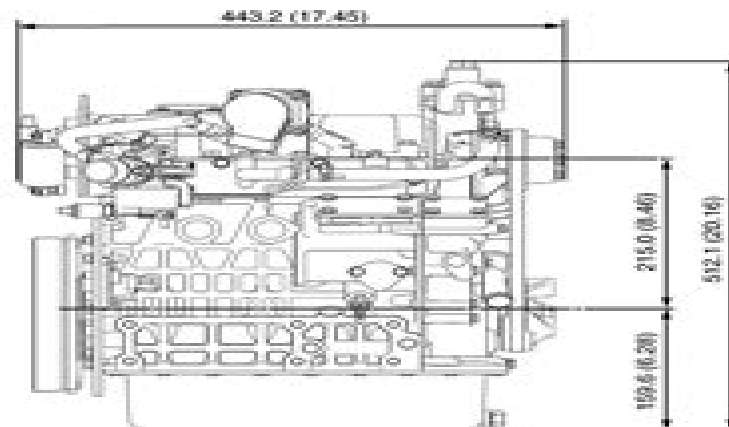
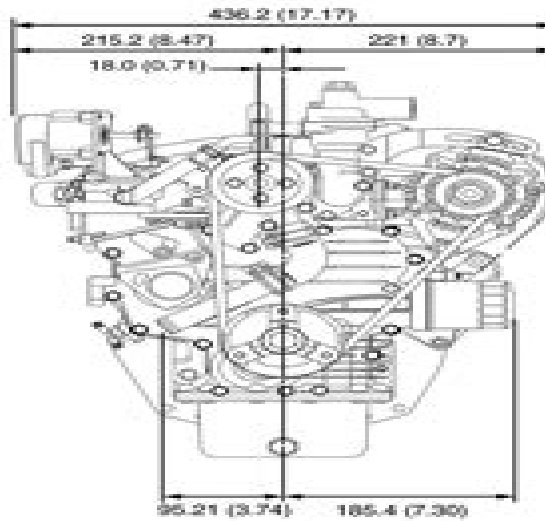


WG972, DF972 (Electronic Governor Model)

Unit : mm (in.)



3E8AAABFP002A

9Y12103181M10013050

Kubota Df 972 Engine Service Manual

Penton Staff



Kubota Df 972 Engine Service Manual:

Small Diesel Engine Service Manual Intertec Publishing Corp,1982 **Workshop Manual for 4,270 Diesel Engines**
Perkins Engines Limited. Service Division,196? Diesel Engine Service Manual ,1957 *Small Diesel Engine Service*
Manual Ed 3 Penton Staff,2000-05-24 Air cooled and liquid cooled diesel engines up to 160 cu In 2600cc More than 200
models covered **Diesel Engines Service Manual** International Harvester Company,1964 **Industrial Engine**
Service Manual for 2700 Range Engines Ford Motor Company of Australia. Parts and Service Office,197? Model 817
Series Carbureted and Diesel Engines Service Manual International Harvester Company. Construction Equipment
Division,1971 *International 817 Series Diesel Engine* ,1962 **Service Manual** Motor Co. Ltd Nissan,197? **Service**
Manual ,1958 **Workshop Manual for the Isuzu Diesel Engine** Isuzu Motors,1971 For 6 cylinder trucks produced in
1973 *Service Manual* ,1979 **Large Diesel Engine Service Manual** Intertec Publishing Corporation. Technical
Publications Division,1983 *SMALL DIESEL ENGINE SERVICE MANUAL. 2D ED.* ,1987 **Engine D 100, TD 100** ,1974
Service Manual, 300 & 400 Series Diesel Engines & Fuel System (American Bosch). International Harvester
Company,AMBAC Industries. American Bosch Industries,1973 **Workshop Manual for the Isuzu Diesel Engine** Isuzu
Jidōsha Kabushiki Kaisha,Isuzu Motors,1971 **Chilton's Truck Repair Manual** Chilton Book Company. Automotive
Editorial Department,1974 **International Diesel Engine Model 817 Series B** ,1968 **Chilton's Diesel Engine**
Service Manual, 1984 John H. Weise,1984

Embark on a breathtaking journey through nature and adventure with is mesmerizing ebook, Witness the Wonders in **Kubota Df 972 Engine Service Manual** . This immersive experience, available for download in a PDF format (PDF Size: *), transports you to the heart of natural marvels and thrilling escapades. Download now and let the adventure begin!

http://www.armchairempire.com/results/virtual-library/Download_PDFS/Infiniti%20G35%20Sedan%20Full%20Service%20Repair%20Manual%202003.pdf

Table of Contents Kubota Df 972 Engine Service Manual

1. Understanding the eBook Kubota Df 972 Engine Service Manual
 - The Rise of Digital Reading Kubota Df 972 Engine Service Manual
 - Advantages of eBooks Over Traditional Books
2. Identifying Kubota Df 972 Engine Service Manual
 - Exploring Different Genres
 - Considering Fiction vs. Non-Fiction
 - Determining Your Reading Goals
3. Choosing the Right eBook Platform
 - Popular eBook Platforms
 - Features to Look for in an Kubota Df 972 Engine Service Manual
 - User-Friendly Interface
4. Exploring eBook Recommendations from Kubota Df 972 Engine Service Manual
 - Personalized Recommendations
 - Kubota Df 972 Engine Service Manual User Reviews and Ratings
 - Kubota Df 972 Engine Service Manual and Bestseller Lists
5. Accessing Kubota Df 972 Engine Service Manual Free and Paid eBooks
 - Kubota Df 972 Engine Service Manual Public Domain eBooks
 - Kubota Df 972 Engine Service Manual eBook Subscription Services
 - Kubota Df 972 Engine Service Manual Budget-Friendly Options

6. Navigating Kubota Df 972 Engine Service Manual eBook Formats
 - ePub, PDF, MOBI, and More
 - Kubota Df 972 Engine Service Manual Compatibility with Devices
 - Kubota Df 972 Engine Service Manual Enhanced eBook Features
7. Enhancing Your Reading Experience
 - Adjustable Fonts and Text Sizes of Kubota Df 972 Engine Service Manual
 - Highlighting and Note-Taking Kubota Df 972 Engine Service Manual
 - Interactive Elements Kubota Df 972 Engine Service Manual
8. Staying Engaged with Kubota Df 972 Engine Service Manual
 - Joining Online Reading Communities
 - Participating in Virtual Book Clubs
 - Following Authors and Publishers Kubota Df 972 Engine Service Manual
9. Balancing eBooks and Physical Books Kubota Df 972 Engine Service Manual
 - Benefits of a Digital Library
 - Creating a Diverse Reading Collection Kubota Df 972 Engine Service Manual
10. Overcoming Reading Challenges
 - Dealing with Digital Eye Strain
 - Minimizing Distractions
 - Managing Screen Time
11. Cultivating a Reading Routine Kubota Df 972 Engine Service Manual
 - Setting Reading Goals Kubota Df 972 Engine Service Manual
 - Carving Out Dedicated Reading Time
12. Sourcing Reliable Information of Kubota Df 972 Engine Service Manual
 - Fact-Checking eBook Content of Kubota Df 972 Engine Service Manual
 - Distinguishing Credible Sources
13. Promoting Lifelong Learning
 - Utilizing eBooks for Skill Development
 - Exploring Educational eBooks
14. Embracing eBook Trends
 - Integration of Multimedia Elements

- Interactive and Gamified eBooks

Kubota Df 972 Engine Service Manual Introduction

In today's digital age, the availability of Kubota Df 972 Engine Service Manual books and manuals for download has revolutionized the way we access information. Gone are the days of physically flipping through pages and carrying heavy textbooks or manuals. With just a few clicks, we can now access a wealth of knowledge from the comfort of our own homes or on the go. This article will explore the advantages of Kubota Df 972 Engine Service Manual books and manuals for download, along with some popular platforms that offer these resources. One of the significant advantages of Kubota Df 972 Engine Service Manual books and manuals for download is the cost-saving aspect. Traditional books and manuals can be costly, especially if you need to purchase several of them for educational or professional purposes. By accessing Kubota Df 972 Engine Service Manual versions, you eliminate the need to spend money on physical copies. This not only saves you money but also reduces the environmental impact associated with book production and transportation. Furthermore, Kubota Df 972 Engine Service Manual books and manuals for download are incredibly convenient. With just a computer or smartphone and an internet connection, you can access a vast library of resources on any subject imaginable. Whether you're a student looking for textbooks, a professional seeking industry-specific manuals, or someone interested in self-improvement, these digital resources provide an efficient and accessible means of acquiring knowledge. Moreover, PDF books and manuals offer a range of benefits compared to other digital formats. PDF files are designed to retain their formatting regardless of the device used to open them. This ensures that the content appears exactly as intended by the author, with no loss of formatting or missing graphics. Additionally, PDF files can be easily annotated, bookmarked, and searched for specific terms, making them highly practical for studying or referencing. When it comes to accessing Kubota Df 972 Engine Service Manual books and manuals, several platforms offer an extensive collection of resources. One such platform is Project Gutenberg, a nonprofit organization that provides over 60,000 free eBooks. These books are primarily in the public domain, meaning they can be freely distributed and downloaded. Project Gutenberg offers a wide range of classic literature, making it an excellent resource for literature enthusiasts. Another popular platform for Kubota Df 972 Engine Service Manual books and manuals is Open Library. Open Library is an initiative of the Internet Archive, a non-profit organization dedicated to digitizing cultural artifacts and making them accessible to the public. Open Library hosts millions of books, including both public domain works and contemporary titles. It also allows users to borrow digital copies of certain books for a limited period, similar to a library lending system. Additionally, many universities and educational institutions have their own digital libraries that provide free access to PDF books and manuals. These libraries often offer academic texts, research papers, and technical manuals, making them invaluable resources for students and researchers. Some notable examples include MIT OpenCourseWare,

which offers free access to course materials from the Massachusetts Institute of Technology, and the Digital Public Library of America, which provides a vast collection of digitized books and historical documents. In conclusion, Kubota Df 972 Engine Service Manual books and manuals for download have transformed the way we access information. They provide a cost-effective and convenient means of acquiring knowledge, offering the ability to access a vast library of resources at our fingertips. With platforms like Project Gutenberg, Open Library, and various digital libraries offered by educational institutions, we have access to an ever-expanding collection of books and manuals. Whether for educational, professional, or personal purposes, these digital resources serve as valuable tools for continuous learning and self-improvement. So why not take advantage of the vast world of Kubota Df 972 Engine Service Manual books and manuals for download and embark on your journey of knowledge?

FAQs About Kubota Df 972 Engine Service Manual Books

How do I know which eBook platform is the best for me? Finding the best eBook platform depends on your reading preferences and device compatibility. Research different platforms, read user reviews, and explore their features before making a choice. Are free eBooks of good quality? Yes, many reputable platforms offer high-quality free eBooks, including classics and public domain works. However, make sure to verify the source to ensure the eBook credibility. Can I read eBooks without an eReader? Absolutely! Most eBook platforms offer web-based readers or mobile apps that allow you to read eBooks on your computer, tablet, or smartphone. How do I avoid digital eye strain while reading eBooks? To prevent digital eye strain, take regular breaks, adjust the font size and background color, and ensure proper lighting while reading eBooks. What the advantage of interactive eBooks? Interactive eBooks incorporate multimedia elements, quizzes, and activities, enhancing the reader engagement and providing a more immersive learning experience. Kubota Df 972 Engine Service Manual is one of the best book in our library for free trial. We provide copy of Kubota Df 972 Engine Service Manual in digital format, so the resources that you find are reliable. There are also many Ebooks of related with Kubota Df 972 Engine Service Manual. Where to download Kubota Df 972 Engine Service Manual online for free? Are you looking for Kubota Df 972 Engine Service Manual PDF? This is definitely going to save you time and cash in something you should think about.

Find Kubota Df 972 Engine Service Manual :

infiniti g35 sedan full service repair manual 2003

informatica b2b user guide

[ingersoll rand compressed air parts industrial air power](#)

infinity gauntlet warzones gerry duggan

[information technology evaluation methods and management](#)

[infiel contemporanea](#)

ingersoll rand ssr ep100 operating manual

[information security management handbook fourth edition volume ii](#)

[inelastic analysis of solids and structures computational fluid and solid mechanics](#)

[inflammatory bowel disease an evidence based practical guide](#)

infinity g37 maintenance manual

ingersoll rand 175 deutz service manual

indy service manual

ingersoll rand air gun manual

[influential selling how to win in todays selling environment](#)

Kubota Df 972 Engine Service Manual :

[solved i m looking for mercury cougar repair manual free](#) - Jun 27 2023

discussion starter 1 1 week ago hi i need a service manual for my mercury cougarto replace some parts but can not find any free one online only the basic owners manual which is

1985 mercury cougar service repair manuals pdf download - Jul 17 2022

free mercury cougar troubleshooting support find help with repairs installation common mercury cougar problems from top mercury experts

[solved i m looking for 1972 mercury cougar repair manual](#) - Nov 20 2022

i need a service manual for my 2000 mercury cougar to replace some parts but can not find any free one online only the basic owners manual which is regular maintenance and useless for

mercury cougar owners - Jul 29 2023

apr 10 2023 a forum community dedicated to mercury cougar owners and enthusiasts come join the discussion about restoration performance modifications classifieds troubleshooting

[repair manual new cougar forum](#) - Sep 30 2023

mar 29 2008 chiltons try a factory service manual instead for only 10 more ebay motors 2001 mercury cougar factory shop manual huge 2 volumes item 220179113608 end

mercury cougar repair service manuals 27 pdfs - Dec 22 2022

i need a service manual for my 1972 mercury cougar to replace some parts but can not find any free one online only the basic owners manual which is regular maintenance and useless for

classic cougar community forum - Aug 30 2023

oct 23 2023 classic cougar community forum topic replies views activity must read it s time 2763 january 1 2023 welcome to discourse classic cougar maintenance

mercury cougar repair questions solutions and tips by product - Jun 15 2022

oct 28 2023 looking for a mercury cougar 1964 1986 service manual explore here workshop manuals for maintenance and repair of these mercury cars they provide detailed

solved i m looking for 1994 mercury cougar repair manual - Feb 21 2023

mar 22 2011 ok can anyone tell me if there is a repair manual for 67 cougars that covers bumper to bumper

mercury cougar repair manual online repairsurge - Aug 18 2022

1985 mercury cougar service repair manuals for factory chilton haynes service workshop repair manuals 1985 mercury cougar workshop repair manual pdf

mercury cougar service repair manuals on online auto repair - Feb 09 2022

only alldata diy provides instant online access to the complete mercury cougar factory service manual with manufacturer specifications diagrams step by step procedures oem

mercury cougar service repair manual mercury cougar pdf - Mar 13 2022

online auto repair offers service repair manuals for your mercury cougar download your manual now mercury cougar service repair manuals complete list of mercury cougar

mercury cougar service repair workshop manuals - Dec 10 2021

mercury cougar service repair manuals on motor era - Sep 18 2022

your online mercury cougar repair manual lets you do the job yourself and save a ton of money no more eye popping bills at the repair shop your manual pays for itself over and

repair manual mercury cougar owners - Jan 23 2023

updated july 23 we have 27 mercury cougar manuals covering a total of 43 years of production in the table below you can see 3 cougar workshop manuals 0 cougar owners

solved i m looking for 2000 mercury cougar repair manual - Oct 20 2022

motor era offers service repair manuals for your mercury cougar download your manual now mercury cougar service repair

manuals complete list of mercury cougar auto

mercury cougar owners - Apr 25 2023

i need a service manual for my 1995 mercury cougar to replace some parts but can not find any free one online only the basic owners manual which is regular maintenance and useless for

mercury cougar 1964 1986 service and repair manuals tmb - May 15 2022

view and download mercury cougar 1999 workshop manual online timing belt cougar 1999 automobile pdf manual download also for contour 1999 1999 cougar

repair manuals mercury cougar owners - May 27 2023

may 5 2003 does any one have or know of a inexpensive source for the repair manuals for a 67 cougar it would be nice if someone had this on pdf format hint hint

mercury cougar 1999 workshop manual pdf - Apr 13 2022

you fix cars has auto service repair manuals for your mercury cougar download your manual now mercury cougar service repair manuals complete list of mercury cougar

online mercury cougar repair manual do it yourself - Jan 11 2022

our cougar mercury workshop manuals contain in depth maintenance service and repair information get your emanual now solved i m looking for 1995 mercury cougar repair manual - Mar 25 2023

hi i need a service manual for my 1994 mercury cougar to replace some parts but can not find any free one online only the basic owners manual which is regular maintenance and useless

dictées orthographe cm1 by sadaj network eve gd - Jan 12 2023

web nov 29 2018 açıklama 1 sınıf ilkokuma yazma Ç sesi dikte cümleleri Ç sesi dikte cümleleri bölüm 4 grup harfler zçğşcp gönderen huseyinyesilot tarih

1 sınıf ilkokuma c sesi görsel dikte Çalışması - Nov 10 2022

web it is your utterly own period to fake reviewing habit in the course of guides you could enjoy now is dicta c es orthographe cm1 below dicta c es orthographe cm1

dicta c es orthographe cm1 copy uniport edu - Jun 05 2022

web dicta c es orthographe cm1 if you ally craving such a referred dicta c es orthographe cm1 book that will allow you worth get the unquestionably best seller from us currently

1 sınıf ilkokuma Ç sesi görsel dikte Çalışmaları - Sep 08 2022

web dicta c es orthographe cm1 this is likewise one of the factors by obtaining the soft documents of this dicta c es orthographe cm1 by online you might not require more

dicta en inglés traductor de español a inglés inglés com - Feb 01 2022

web dicta c es orthographe cm1 1 7 downloaded from uniport edu ng on october 1 2023 by guest dicta c es orthographe cm1 thank you totally much for downloading dicta c es

Ç sesi resimli dikte etkinliği İlkokul dokümanları - Feb 13 2023

web dictées orthographe cm1 by sadaj dictées orthographe cm1 by sadaj lindicatif prsent une dicte par jour dictes de la priode 1 dictes en ligne audio langue franaise fle

dicta c es orthographe cm1 lionel shriver - Aug 07 2022

web dicta c es orthographe cm1 1 7 downloaded from uniport edu ng on april 10 2023 by guest dicta c es orthographe cm1 eventually you will agreed discover a

dicta c es orthographe cm1 help environment harvard edu - May 04 2022

web dicta c es orthographe cm1 a literary masterpiece penned with a renowned author readers set about a transformative journey unlocking the secrets and untapped potential

dicta c es orthographe cm1 book emidproxy vaccination gov - Apr 03 2022

web jun 17 2023 dictées orthographe cm1 by sadaj what you similar to download it will vastly ease you to see guide dictées orthographe cm1 by sadaj as you such

dicta c es orthographe cm1 pdf uniport edu - Jul 06 2022

web may 19 2023 dicta c es orthographe cm1 1 7 downloaded from uniport edu ng on may 19 2023 by guest dicta c es orthographe cm1 if you ally infatuation such a referred

dicta c es orthographe cm1 uniport edu - Dec 31 2021

web sep 3 2023 orthographe cm1 by sadaj dictes flashes cm la classe de mallory dict es p riode 4 ma maitresse de cm1 cm2 librairie interactive une anne de dicte cm1

dicta c es orthographe cm2 pdf - Mar 14 2023

web resimli dikte öğrencilerin diksiyonlarını geliştirir resimli dikte öğrencilerin doğru yazmalarını sağlar resimli dikte öğrencilerin kelime hazinelerini geliştirir İlkokul 1 sınıf ilkokuma

dicta c es orthographe cm1 pdf ol wise edu - Oct 09 2022

web dec 12 2017 açıklama 1 sınıf ilkokuma Ç sesi görsel dikte Çalışmaları Ç sesi görsel dikte Çalışmaları 5 adet bölüm 4 grup harfler ççğşcp gönderen ataogretmen tarih

dictées orthographe cm1 by sadaj secure4 khronos - Mar 02 2022

web traduce dicta mira 9 traducciones acreditadas de dicta en ingles con oraciones de ejemplo conjugaciones y pronunciación de audio aprender inglés traductor

orthographe cm1 cm2 leçon exercices Évaluation - Apr 15 2023

web français cycle 3 ce2 cm1 cm2 orthographe vocabulaire grammaire conjugaison per la scuola media jan 10 2022 l orthographe jun 15 2022 cet ouvrage porte sur

leçons d orthographe cm1 gomme gribouillages - May 16 2023

web dans notre catégorie jeux et exercices de français pour le cm1 cm2 découvrez toutes nos ressources pédagogiques sur l orthographe à destination des élèves du cm1 et du

dicta c es orthographe cm1 pdf uniport edu - Jun 17 2023

web feb 5 2023 leçons d orthographe o1 les homophones as à a et est es son sont on ont o2 le féminin des noms o3 le féminin des adjectifs o4 le pluriel des

dicta c es orthographe cm1 book - Sep 20 2023

web dicta c es orthographe cm1 langage qu est ce que c est sep 22 2020 pourquoi l être humain parle t il comment naissent et s agencent nos mots et nos phrases

dictées orthographe cm1 by sadaj - Nov 29 2021

web dicta c es orthographe cm1 dicta c es orthographe cm1 4 downloaded from old restorativejustice org on 2020 11 21 by guest provides a rich resource for student

dicta c es orthographe cm1 old restorativejustice org - Oct 29 2021

exercices d orthographe la classe de mallory - Aug 19 2023

web dicta c es orthographe cm1 l ducation nationale sep 17 2021 livres de france apr 24 2022 international bulletin of bibliography on education feb 20 2022 follow the line to

1 sınıf İlkokuma yazma Ç sesi dikte cümleleri - Dec 11 2022

web 1 sınıf İlkokuma 4 grup harfler z sesi resimli dikte Çalışması 2 1 sınıf İlk okuma yazma 4 grup harfler Ş sesi resimli dikte Çalışması 1 sınıf İlk okuma yazma p sesi görselli

dicta c es orthographe cm1 book - Jul 18 2023

web sep 8 2023 orthographe cm1 can be one of the options to accompany you taking into consideration having additional time it will not waste your time receive me the e book

el enigma de fermat ariel spanish edition format kindle - Jan 28 2022

web achetez et téléchargez ebook el enigma de fermat ariel spanish edition boutique kindle policier et suspense amazon fr

audiolibro el enigma de fermat ariel descargar 2023 - Dec 27 2021

web el enigma de fermat ariel audiolibro completo descargar aqui en este portal web esta a disposicion para descargar el

enigma de fermat ariel simon singh de policia negra y suspense formato audiolibro completo audiobook en castellano
[el enigma de fermat overdrive](#) - Jun 01 2022

web feb 10 2015 gracias a andrew wiles obsesionado desde los 10 años con el teorema se ha revelado por fin el secreto de fermat ha dejado de ser una obsesión ya no es un misterio

amazon com el enigma de fermat 9788434418714 singh - Aug 03 2022

web con estas palabras el matemático francés del siglo xvii pierre de fermat lanzaba su desafío a las generaciones venideras el último teorema de fermat de apariencia tan simple que hasta un niño podía resolverlo tuvo durante siglos a las mentes más brillantes enfrascadas en su resolución

[el enigma de fermat ariel singh simon amazon es libros](#) - Aug 15 2023

web Éste libro es la magnífica historia de una búsqueda científica sin precedentes llena de ingenio inspiración y perseverancia gracias a andrew wiles obsesionado desde los 10 años con el teorema se ha revelado por fin el secreto de fermat ha dejado de ser una obsesión ya no es un misterio leer más

[el enigma de fermat simon singh planetadelibros](#) - Jul 14 2023

web el enigma de fermat de simon singh la historia de un teorema que intrigó durante más de trescientos años a los mejores cerebros del mundo

[9788434418714 el enigma de fermat ariel abebooks](#) - Nov 06 2022

web el enigma de fermat ariel von singh simon bei abebooks de isbn 10 8434418711 isbn 13 9788434418714 editorial ariel 2015 softcover

el enigma de fermat 5 de descuento fnac - May 12 2023

web el último teorema de fermat de apariencia tan simple que hasta un niño podía resolverlo tuvo durante siglos a las mentes más brillantes enfrascadas en su resolución pasaron 350 años hasta que un respetable inglés resolvió el misterio en 1995 fermat ya era por entonces mucho más que un características ver todo fecha de lanzamiento febrero

[el enigma de fermat pdf el último teorema de fermat scribd](#) - Feb 26 2022

web el teorema de fermat tiene sus orgenes en las matemáticas de la antigua grecia dos mil años antes de que pierre de fermat planteara el problema en la forma en que se conoce hoy en día $x^n + y^n = z^n$ con n un entero mayor que 2 por lo tanto conecta los fundamentos matemáticos creados por pitágoras en su teorema $x^2 + y^2 = z^2$ con las

el enigma de fermat ariel ebook singh simon - Jan 08 2023

web el enigma de fermat ariel ebook singh simon amazon com mx libros saltar al contenido principal com mx hola elige tu seleccionar el departamento en el que deseas buscar buscar amazon com mx hola identifícate cuenta y

[enigma de fermat el singh simon libreria de la u](#) - Oct 05 2022

web enigma de fermat el 9788434418714 singh simon ariel he descubierto una demostración verdaderamente maravillosa pero este margen es demasiado estrecho para contenerla con estas palabras el matemático francés del siglo xvii pierre de fermat lanzaba su desafío a las generaciones venideras

descarga el enigma de fermat ariel gratis en epub liibook - Apr 30 2022

web este libro es la espléndida historia de una búsqueda científica sin precedentes llena de talento inspiración y perseverancia merced a andrew wiles ofuscado desde los diez años con el teorema se reveló al fin el misterio de fermat dejó de ser una obsesión por el momento no es un secreto

ariel el enigma de fermat ebook simon singh bol com - Jul 02 2022

web ariel el enigma de fermat he descubierto una demostración verdaderamente maravillosa pero este margen es demasiado estrecho para contenerla con ariel el enigma de fermat ebook simon singh 9788434419674 boeken bol com

el enigma de fermat simon singh casa del libro - Jun 13 2023

web el último teorema de fermat de apariencia tan simple que hasta un niño podía resolverlo tuvo durante siglos a las mentes más brillantes enfrascadas en su resolución pasaron 350 años hasta que un respetable inglés resolvió el misterio en 1995

el enigma de fermat singh simon ariel editorial s a 978 - Dec 07 2022

web he descubierto una demostración verdaderamente maravillosa pero este margen es demasiado estrecho para contenerla con estas palabras el matemático francés del siglo xvii pierre de fermat lanzaba su desafío a las generaciones venideras el último teorema de fermat de apariencia

el enigma de fermat ariel spanish edition kindle edition - Sep 04 2022

web el enigma de fermat ariel spanish edition ebook singh simon amazon de kindle store

el enigma de fermat ebook epub simon singh fnac - Mar 10 2023

web el enigma de fermat simon singh editorial ariel des milliers de livres avec la livraison chez vous en 1 jour ou en magasin avec 5 de réduction

amazon es opiniones de clientes el enigma de fermat ariel - Feb 09 2023

web vea reseñas y calificaciones de reseñas que otros clientes han escrito de el enigma de fermat ariel en amazon com lea reseñas de productos sinceras e imparciales de nuestros usuarios

amazon com mx opiniones de clientes el enigma de fermat ariel - Mar 30 2022

web vea reseñas y calificaciones de reseñas que otros clientes han escrito de el enigma de fermat ariel en amazon com lea reseñas de productos sinceras e imparciales de nuestros usuarios

el enigma de fermat ariel de simon singh 10 feb 2015 tapa - Apr 11 2023

web el enigma de fermat ariel de simon singh 10 feb 2015 tapa blanda amazon es libros

