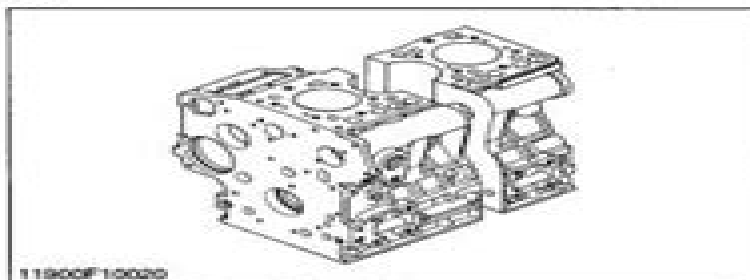


1 ENGINE BODY

[1] CYLINDER BLOCK



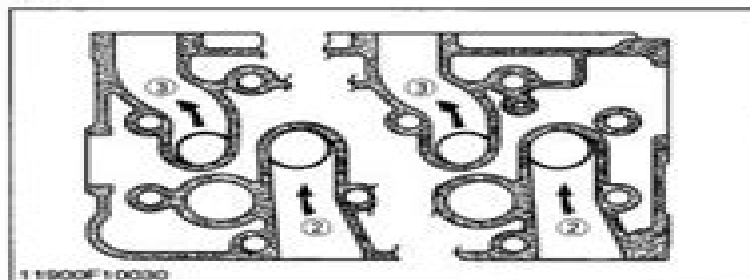
The engine has a high durability tunnel-type cylinder block in which the crank bearing component is a constructed body.

Furthermore, liner less type, allow effective cooling, less distortion, and greater wear-resistance.

The noise level is reduced to a minimum because each cylinder has its own chamber.

11900M10020

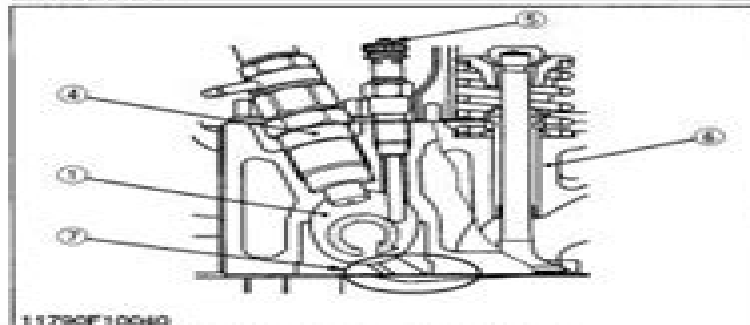
[2] CYLINDER HEAD



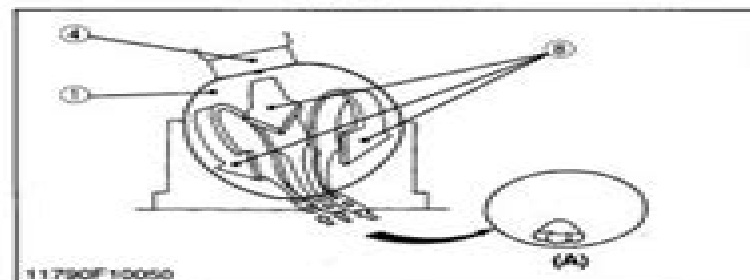
The cross-flow type intake / exhaust ports in this engine have their openings at both sides of the cylinder head. Because overlaps of intake / exhaust ports are smaller than in ports of other types which have openings on one side, the suction air can be protected from being heated and expanded by heated exhaust air. The cool, high density suction air has high volume efficiency and raises the power of the engine. Furthermore, distortion of the cylinder head by heated exhaust gas is reduced because intake ports are arranged alternately.

The combustion chamber is of KUBOTA's exclusive E-TVCS combustion chamber type. Suction air is whirled to be mixed effectively with fuel, prompting combustion and reducing fuel consumption.

In the combustion chamber are installed throttle type injection nozzle and rapid heating sheathed type glow plug. This glow plug assures easier than ever engine starts even at -15°C (5°F).



- | | |
|------------------------|-----------------------------------|
| (1) Combustion Chamber | (7) Depression |
| (2) Intake Port | (8) Compressed Air |
| (3) Exhaust Port | (A) Connect to Combustion Chamber |
| (4) Nozzle Assembly | |
| (5) Glow Plug | |
| (6) Cylinder Head | |



11900M10031

Kubota V1505 E Service Manual

M Lipman



Kubota V1505 E Service Manual:

Right here, we have countless book **Kubota V1505 E Service Manual** and collections to check out. We additionally present variant types and furthermore type of the books to browse. The usual book, fiction, history, novel, scientific research, as capably as various additional sorts of books are readily clear here.

As this Kubota V1505 E Service Manual, it ends up subconscious one of the favored ebook Kubota V1505 E Service Manual collections that we have. This is why you remain in the best website to look the amazing books to have.

http://www.armchairempire.com/results/scholarship/index.jsp/Gravelly_1028_Lawn_Mower_Manual.pdf

Table of Contents Kubota V1505 E Service Manual

1. Understanding the eBook Kubota V1505 E Service Manual
 - The Rise of Digital Reading Kubota V1505 E Service Manual
 - Advantages of eBooks Over Traditional Books
2. Identifying Kubota V1505 E Service Manual
 - Exploring Different Genres
 - Considering Fiction vs. Non-Fiction
 - Determining Your Reading Goals
3. Choosing the Right eBook Platform
 - Popular eBook Platforms
 - Features to Look for in an Kubota V1505 E Service Manual
 - User-Friendly Interface
4. Exploring eBook Recommendations from Kubota V1505 E Service Manual
 - Personalized Recommendations
 - Kubota V1505 E Service Manual User Reviews and Ratings
 - Kubota V1505 E Service Manual and Bestseller Lists
5. Accessing Kubota V1505 E Service Manual Free and Paid eBooks
 - Kubota V1505 E Service Manual Public Domain eBooks

- Kubota V1505 E Service Manual eBook Subscription Services
- Kubota V1505 E Service Manual Budget-Friendly Options
- 6. Navigating Kubota V1505 E Service Manual eBook Formats
 - ePub, PDF, MOBI, and More
 - Kubota V1505 E Service Manual Compatibility with Devices
 - Kubota V1505 E Service Manual Enhanced eBook Features
- 7. Enhancing Your Reading Experience
 - Adjustable Fonts and Text Sizes of Kubota V1505 E Service Manual
 - Highlighting and Note-Taking Kubota V1505 E Service Manual
 - Interactive Elements Kubota V1505 E Service Manual
- 8. Staying Engaged with Kubota V1505 E Service Manual
 - Joining Online Reading Communities
 - Participating in Virtual Book Clubs
 - Following Authors and Publishers Kubota V1505 E Service Manual
- 9. Balancing eBooks and Physical Books Kubota V1505 E Service Manual
 - Benefits of a Digital Library
 - Creating a Diverse Reading Collection Kubota V1505 E Service Manual
- 10. Overcoming Reading Challenges
 - Dealing with Digital Eye Strain
 - Minimizing Distractions
 - Managing Screen Time
- 11. Cultivating a Reading Routine Kubota V1505 E Service Manual
 - Setting Reading Goals Kubota V1505 E Service Manual
 - Carving Out Dedicated Reading Time
- 12. Sourcing Reliable Information of Kubota V1505 E Service Manual
 - Fact-Checking eBook Content of Kubota V1505 E Service Manual
 - Distinguishing Credible Sources
- 13. Promoting Lifelong Learning
 - Utilizing eBooks for Skill Development
 - Exploring Educational eBooks

14. Embracing eBook Trends

- Integration of Multimedia Elements
- Interactive and Gamified eBooks

Kubota V1505 E Service Manual Introduction

Free PDF Books and Manuals for Download: Unlocking Knowledge at Your Fingertips In today's fast-paced digital age, obtaining valuable knowledge has become easier than ever. Thanks to the internet, a vast array of books and manuals are now available for free download in PDF format. Whether you are a student, professional, or simply an avid reader, this treasure trove of downloadable resources offers a wealth of information, conveniently accessible anytime, anywhere. The advent of online libraries and platforms dedicated to sharing knowledge has revolutionized the way we consume information. No longer confined to physical libraries or bookstores, readers can now access an extensive collection of digital books and manuals with just a few clicks. These resources, available in PDF, Microsoft Word, and PowerPoint formats, cater to a wide range of interests, including literature, technology, science, history, and much more. One notable platform where you can explore and download free Kubota V1505 E Service Manual PDF books and manuals is the internet's largest free library. Hosted online, this catalog compiles a vast assortment of documents, making it a veritable goldmine of knowledge. With its easy-to-use website interface and customizable PDF generator, this platform offers a user-friendly experience, allowing individuals to effortlessly navigate and access the information they seek. The availability of free PDF books and manuals on this platform demonstrates its commitment to democratizing education and empowering individuals with the tools needed to succeed in their chosen fields. It allows anyone, regardless of their background or financial limitations, to expand their horizons and gain insights from experts in various disciplines. One of the most significant advantages of downloading PDF books and manuals lies in their portability. Unlike physical copies, digital books can be stored and carried on a single device, such as a tablet or smartphone, saving valuable space and weight. This convenience makes it possible for readers to have their entire library at their fingertips, whether they are commuting, traveling, or simply enjoying a lazy afternoon at home. Additionally, digital files are easily searchable, enabling readers to locate specific information within seconds. With a few keystrokes, users can search for keywords, topics, or phrases, making research and finding relevant information a breeze. This efficiency saves time and effort, streamlining the learning process and allowing individuals to focus on extracting the information they need. Furthermore, the availability of free PDF books and manuals fosters a culture of continuous learning. By removing financial barriers, more people can access educational resources and pursue lifelong learning, contributing to personal growth and professional development. This democratization of knowledge promotes intellectual curiosity and empowers individuals to become lifelong learners, promoting progress and innovation in various fields. It is worth noting that

while accessing free Kubota V1505 E Service Manual PDF books and manuals is convenient and cost-effective, it is vital to respect copyright laws and intellectual property rights. Platforms offering free downloads often operate within legal boundaries, ensuring that the materials they provide are either in the public domain or authorized for distribution. By adhering to copyright laws, users can enjoy the benefits of free access to knowledge while supporting the authors and publishers who make these resources available. In conclusion, the availability of Kubota V1505 E Service Manual free PDF books and manuals for download has revolutionized the way we access and consume knowledge. With just a few clicks, individuals can explore a vast collection of resources across different disciplines, all free of charge. This accessibility empowers individuals to become lifelong learners, contributing to personal growth, professional development, and the advancement of society as a whole. So why not unlock a world of knowledge today? Start exploring the vast sea of free PDF books and manuals waiting to be discovered right at your fingertips.

FAQs About Kubota V1505 E Service Manual Books

How do I know which eBook platform is the best for me? Finding the best eBook platform depends on your reading preferences and device compatibility. Research different platforms, read user reviews, and explore their features before making a choice. Are free eBooks of good quality? Yes, many reputable platforms offer high-quality free eBooks, including classics and public domain works. However, make sure to verify the source to ensure the eBook credibility. Can I read eBooks without an eReader? Absolutely! Most eBook platforms offer webbased readers or mobile apps that allow you to read eBooks on your computer, tablet, or smartphone. How do I avoid digital eye strain while reading eBooks? To prevent digital eye strain, take regular breaks, adjust the font size and background color, and ensure proper lighting while reading eBooks. What the advantage of interactive eBooks? Interactive eBooks incorporate multimedia elements, quizzes, and activities, enhancing the reader engagement and providing a more immersive learning experience. Kubota V1505 E Service Manual is one of the best book in our library for free trial. We provide copy of Kubota V1505 E Service Manual in digital format, so the resources that you find are reliable. There are also many Ebooks of related with Kubota V1505 E Service Manual. Where to download Kubota V1505 E Service Manual online for free? Are you looking for Kubota V1505 E Service Manual PDF? This is definitely going to save you time and cash in something you should think about. If you trying to find then search around for online. Without a doubt there are numerous these available and many of them have the freedom. However without doubt you receive whatever you purchase. An alternate way to get ideas is always to check another Kubota V1505 E Service Manual. This method for see exactly what may be included and adopt these ideas to your book. This site will almost certainly help you save time and effort, money and stress. If you are looking for free books then you really should consider finding to assist you

try this. Several of Kubota V1505 E Service Manual are for sale to free while some are payable. If you arent sure if the books you would like to download works with for usage along with your computer, it is possible to download free trials. The free guides make it easy for someone to free access online library for download books to your device. You can get free download on free trial for lots of books categories. Our library is the biggest of these that have literally hundreds of thousands of different products categories represented. You will also see that there are specific sites catered to different product types or categories, brands or niches related with Kubota V1505 E Service Manual. So depending on what exactly you are searching, you will be able to choose e books to suit your own need. Need to access completely for Campbell Biology Seventh Edition book? Access Ebook without any digging. And by having access to our ebook online or by storing it on your computer, you have convenient answers with Kubota V1505 E Service Manual To get started finding Kubota V1505 E Service Manual, you are right to find our website which has a comprehensive collection of books online. Our library is the biggest of these that have literally hundreds of thousands of different products represented. You will also see that there are specific sites catered to different categories or niches related with Kubota V1505 E Service Manual So depending on what exactly you are searching, you will be able to choose ebook to suit your own need. Thank you for reading Kubota V1505 E Service Manual. Maybe you have knowledge that, people have search numerous times for their favorite readings like this Kubota V1505 E Service Manual, but end up in harmful downloads. Rather than reading a good book with a cup of coffee in the afternoon, instead they juggled with some harmful bugs inside their laptop. Kubota V1505 E Service Manual is available in our book collection an online access to it is set as public so you can download it instantly. Our digital library spans in multiple locations, allowing you to get the most less latency time to download any of our books like this one. Merely said, Kubota V1505 E Service Manual is universally compatible with any devices to read.

Find Kubota V1505 E Service Manual :

~~gravely 1028 lawn mower manual~~

~~grasshopper owners manual~~

greek mythology books for adults

great leaders thinkers ancient greece ebook

great houses of chicago 1871 1921 urban domestic architecture series

great gatsby stdy guide answers

great singers an endangered species

gravograph ls900 manual

~~graphic organizer for memoir~~

great expectations guide with answers

[graphic design an australian style manual](#)

[green day warning warning guitar tab](#)

graphic inside the sketchbooks of the worlds great graphic designers

[grandparents disputes subcommittee services committee](#)

[gray banded kingsnakes herpetology series](#)

Kubota V1505 E Service Manual :

[aquarelle la touche parisienne broché rebecca meurin fnac](#) - Oct 05 2023

web sep 20 2019 aquarelle la touche parisienne rebecca meurin mango des milliers de livres avec la livraison chez vous en 1 jour ou en magasin avec 5 de réduction aquarelle la touche parisienne broché rebecca meurin achat livre fnac

aquarelle static fnac static com - Feb 26 2023

web par la magie de l aquarelle la ville se pare de couleurs tendres et chaque instant est sublimé la touche parisienne c est l art de ré enchanter le gris du ciel de transformer la terrasse d un café en un coin de paradis de twister une tenue en trois coups de pinceau quelques godets et de l eau voilà tout ce qu il vous faut

gibert com aquarelle la touche parisienne rebecca meurin - Aug 23 2022

web la touche parisienne c est l art de ré enchanter le gris du ciel de transformer la terrasse d un café en un coin de paradis de twister une tenue en trois c gibert com aquarelle la touche parisienne rebecca meurin peinture et dessin livres pas cher

aquarelle la touche parisienne meurin rebecca - Aug 03 2023

web aquarelle la touche parisienne meurin rebecca on amazon com au free shipping on eligible orders aquarelle la touche parisienne

aquarelle la touche parisienne grand format decitre - Jan 28 2023

web sep 20 2019 la touche parisienne c est l art de ré enchanter le gris du ciel de transformer la terrasse d un café en un coin de paradis de twister une tenue en trois coups de pinceau quelques godets et de l eau voilà tout ce qu il vous faut

abordez l aquarelle en toute simplicité pour donner à chaque dessin un je ne sais quoi

aquarelle la touche parisienne - Nov 25 2022

web par la magie de l aquarelle la ville se pare de couleurs tendres et chaque instant est sublimé la touche parisienne c est l art de ré enchanter le gris du ciel de transformer la terrasse d un café en un coin de paradis de twister une tenue en trois coups de pinceau

[aquarelle la touche parisienne by fleurus editions issuu](#) - Sep 04 2023

web aug 13 2019 read aquarelle la touche parisienne by fleurus editions on issuu and browse thousands of other publications on our platform start here

aquarelle la touche parisienne 17 modèles en étapes débutant - Mar 18 2022

web une initiation à la technique de l aquarelle à travers des exemples de vues parisiennes à peindre shopping fenêtre sur cour toits de paris ou encore pause café electre 2019

aquarelle la touche parisienne 17 modèles en étapes débutant - May 20 2022

web une initiation à la technique de l aquarelle à travers des exemples de vues parisiennes à peindre shopping fenêtre sur cour toits de paris ou encore pause café electre 2019

aquarelle la touche parisienne 17 modèles en étapes débutant - Apr 18 2022

web la touche parisienne c est l art de ré enchanter le gris du ciel de transformer la terrasse d un café en un coin de paradis de twister une tenue en trois coups de pinceau quelques godets et de l eau voilà tout ce qu il vous faut abordez l aquarelle en toute simplicité pour donner à chaque dessin un je ne sais quoi poétique et chic

[aquarelle la touche parisienne by fleurus editions issuu](#) - Jul 02 2023

web aug 12 2019 la touche parisienne c est l art de ré enchanter le gris du ciel de transformer la terrasse d un café en un coin de paradis de twister une tenue en trois coups de pinceau

aquarelle la touche parisienne meurin rebecca - Dec 27 2022

web par la magie de l aquarelle la ville se pare de couleurs tendres et chaque instant est sublimé la touche parisienne c est l art de ré enchanter le gris du ciel de transformer la terrasse d un café en un coin de paradis de twister une tenue en trois coups de pinceau

aquarelle la touche parisienne art et culture rakuten - Feb 14 2022

web nov 10 2022 par la magie de l aquarelle la ville se pare de couleurs tendres et chaque instant est sublimé la touche parisienne c est l art de ré enchanter le gris du ciel de transformer la terrasse d un café en un coin de paradis de twister une tenue en trois coups de pinceau quelques godets et de l eau voilà tout ce qu il vous faut

aquarelle la touche parisienne centre pompidou - Mar 30 2023

web les cahiers du mnam other magazines travel guides for paris other travel guide children s art books baby books documentary children s book and pop up book arts and crafts first reading books products products aquarelle la touche parisienne

aquarelle la touche parisienne librairie eyrolles - Jun 20 2022

web par la magie de l aquarelle la ville se pare de couleurs tendres et chaque instant est sublimé la touche parisienne c est l art de ré enchanter le gris du ciel de transformer la terrasse d un café en un coin de paradis de twister une tenue en trois

[aquarelle la touche parisienne rebecca meurin mango](#) - Jun 01 2023

web sep 20 2019 par la magie de l aquarelle la ville se pare de couleurs tendres et chaque instant est sublimé la touche parisienne c est l art de ré enchanter le gris du ciel de transformer la terrasse d un café en un coin de paradis de twister une tenue en trois coups de pinceau quelques godets et de l eau voilà tout ce qu il vous

[aquarelle la touche parisienne amazon sg books](#) - Apr 30 2023

web hello sign in account lists returns orders cart

[aquarelle la touche parisienne](#) - Sep 23 2022

web aquarelle la touche parisienne rebecca meurin mango achat livre sur divertistore com aquarelle la touche parisienne par la magie de l aquarelle la ville se pare de couleurs tendres et chaque instant est sublimé

aquarelle la touche parisienne amazon co uk meurin rebecca - Oct 25 2022

web buy aquarelle la touche parisienne by meurin rebecca isbn 9782317021367 from amazon s book store everyday low prices and free delivery on eligible orders

aquarelle la touche parisienne meurin rebecca amazon fr - Jul 22 2022

web aquarelle la touche parisienne meurin rebecca amazon fr livres passer au contenu principal fr bonjour entrez votre adresse livres sélectionnez la section dans laquelle vous souhaitez faire votre recherche rechercher amazon fr bonjour identifiez vous compte et listes retours et commandes panier

top 20 bike rides and cycling routes in new hampshire komoot - Aug 20 2023

web cycling routes in new hampshire the top 20 best biking routes and trails in the region with tips and photos from other cyclists

[9780963707789 bicycling new hampshire s seacoast abebooks](#) - Sep 09 2022

web portsmouth to seabrook but it s long on scenery history and some of the best bicycling in the state so climb on your bike and take in the expansive views of the atlantic ocean sun on the sandy beaches or plan to stop at one or more of the dozens of historic properties and scenic byways the seacoast of new hampshire offers in abundance

[bicycling new hampshire s seacoast broché 14 avril 2010](#) - Aug 08 2022

web bicycling new hampshire s seacoast chestney linda amazon fr livres passer au contenu principal fr bonjour entrez votre adresse toutes nos catégories bonjour identifiez vous compte et listes retours et commandes panier toutes ventes flash de

bicycling new hampshire s seacoast chestney the university - Sep 21 2023

web the book bicycling new hampshire s seacoast linda chestney is published by university press of new england

[bicycling new hampshire s seacoast softcover abebooks](#) - Oct 10 2022

web abebooks com bicycling new hampshire s seacoast 9781584658719 by chestney linda and a great selection of similar

new used and collectible books available now at great prices bicycling new hampshire s seacoast chestney linda
9781584658719

bicycling new hampshire s seacourt amazon de - Jun 06 2022

web bicycling new hampshire s seacourt chestney linda isbn 9780963707789 kostenloser versand für alle bücher mit versand
und verkauf duch amazon

bicycling new hampshire s seacourt lingua inglese copertina - Mar 03 2022

web compra bicycling new hampshire s seacourt lingua inglese spedizione gratuita su ordini idonei

bicycling new hampshire s seacourt chestney linda - Jul 07 2022

web may 1 2002 amazon bicycling new hampshire s seacourt amazon chestney linda
amazon

bicycling new hampshire s seacourt amazon com mx - Feb 02 2022

web seleccionar el departamento en el que deseas buscar

bicycling new hampshire s seacoast amazon com - Apr 16 2023

web may 1 2002 another must have bicycling in new hampshire guide from linda chestney guides offer crisp and clear ride
directions jenn danks senior editor of granite sports magazine let this book guide you down favorite seacoast roads and take
the guessing out of where to go john gromek owner exeter cycles bike shop exeter

top 20 most beautiful road biking routes in new hampshire komoot - May 17 2023

web explore the top 20 most beautiful road biking routes and trails in new hampshire and browse other cyclists personal tips
and photos in this guide we ve reviewed our full collection of road biking routes in new hampshire to bring

bicycling new hampshire s seacourt amazon de - Apr 04 2022

web may 1 2002 hello sign in account lists returns orders shopping basket

new hampshire bike routes and trails - Dec 12 2022

web apr 18 2016 despite all the opportunities for biking in new hampshire the state has a poor ranking for being bike
friendly the league of american bicyclists ranks the state 27th in the country 10th in the east only three cities portsmouth
keene and concord have met the league s criteria for being deemed bike friendly

bicycling new hampshire s seacoast worldcat org - Feb 14 2023

web bicycle touring new hampshire atlantic coast guidebooks guidebooks new hampshire new hampshire atlantic coast new
hampshire description and travel new hampshire descriptions et voyages travel contents acknowledgments 9 3 introduction
touring tips 12 5 how to use this book 17 1 ride locations

bicycling new hampshire s seacoast by linda chestney goodreads - Nov 11 2022

web may 1 2002 read reviews from the world s largest community for readers the shoreline of new hampshire may be short eighteen miles of ocean from portsmouth to seabrook bicycling new hampshire s seacoast by linda chestney goodreads

bicycling new hampshire s seacoast google books - Jul 19 2023

web the shoreline of new hampshire may be short eighteen miles of ocean from portsmouth to seabrook but it s long on scenery history and has some of the best bicycling in the state with more than 28 guided rides exploring new hampshire s seacoast this book is an indispensable resource for riders of all skill levels who are eager to take advantage of

bicycling new hampshire s seacoast livros na amazon brasil - May 05 2022

web compre o livro bicycling new hampshire s seacoast na amazon com br confira as ofertas para livros em inglês e importados

the 10 best new hampshire biking trails tripadvisor - Jun 18 2023

web sep 14 2021 top new hampshire biking trails see reviews and photos of biking trails in new hampshire united states on tripadvisor

bicycling new hampshire s seacoast by linda chestney alibris - Jan 13 2023

web add to cart add this copy of bicycling new hampshire s seacoast to cart 80 15 new condition sold by bonita rated 4 0 out of 5 stars ships from newport coast ca united states published 2010 by university press of new england

2021 seacoast century granite state wheelers recreational - Mar 15 2023

web great bicycling along the scenic new england coast routes of 25 50 65 and 100 miles routes include coastlines of new hampshire massachusetts and maine registration opens on february 14 2021 early registration is just 45 for adults 25 for 16 and under covid safety measures include no on site check in or walk in registration

addressing the sexuality and sex education of individuals with autism - Oct 27 2022

web there individuals has been with limited autism attention spectrum in the disorders literature and to the in sexuality the past of individuals with autism spectrum disorders and in the past there was a tendency to view such individuals as somehow unaffected by issues of human sexuality and intimacy and when sexual interest

autism and sex how autism affects sexuality and intimacy psych central - Oct 07 2023

web nov 16 2022 conditions discover quizzes autism quiz symptoms causes treatment find support how does autism affect sex and intimacy autism and sex sex and gender sex education tips for sexual

sex and sexuality in autism spectrum disorders a scoping - Jul 04 2023

web oct 24 2022 sex and sexuality in autism spectrum disorders a scoping review on a neglected but fundamental issue pmc journal list brain sci pmc9688284 as a library nlm provides access to scientific literature inclusion in an nlm database does not imply endorsement of or agreement with the contents by nlm or the national institutes of

sexuality and sexuality education with individuals with autism - Jul 24 2022

web jun 2 2022 individuals on the autism spectrum are sexual beings with the same needs wants quirks and desires as neurotypical individuals thankfully the topics of sexuality and sex education with autistic individuals have as of late occasioned a significant interest from family members professionals and of course those on the spectrum

gender and sexuality in autism explained spectrum - Sep 25 2022

web sep 18 2020 a 2018 australian survey of transgender adolescents and young adults found that 22.5 percent had been diagnosed with autism compared with 2.5 percent of all australian some experts estimate that 6 to 25.5 percent of gender diverse people are autistic 6 sexuality also appears to be more varied among people with autism than

sexuality and gender role in autism spectrum disorder a case - Mar 20 2022

web jan 31 2014 the extreme male brain theory of autism describes an extreme male pattern of cognitive traits defined as strong systemising abilities paired with empathising weaknesses in autism spectrum disorder however beyond these cognitive traits clinical observations have suggested an ambiguous gender typed pattern regarding several

sex and sexuality in autism spectrum disorders a scoping - Sep 06 2023

web oct 24 2022 sex and sexuality in autism spectrum disorders a scoping review on a neglected but fundamental issue authors maria grazia maggio 1 patrizia calatozzo 2 antonio cerasa 3 4 5 giovanni pioggia 3 angelo quartarone 6

relationships sexuality and intimacy in autism spectrum - May 22 2022

web mar 6 2013 1 introduction the purpose of this chapter is to provide a brief overview of autism spectrum disorders asd and sexuality as there is a paucity of this information in the literature specific attention is given to sexuality involving the self others and interpersonal relationships

[sex on the spectrum psychology today](#) - Aug 05 2023

web jul 30 2020 amee baird ph d sex in the brain sex sex on the spectrum how does autism spectrum disorder asd impact sexual behaviour posted july 30 2020 reviewed by kaja perina

brain sciences free full text sex and sexuality in autism spectrum - Feb 28 2023

web oct 24 2022 sex and sexuality in autism spectrum disorders a scoping review on a neglected but fundamental issue by maria grazia maggio 1 patrizia calatozzo 2 antonio cerasa 3 4 5 giovanni pioggia 3 angelo quartarone 6 and rocco salvatore calabro 6 1 department of biomedical and biotechnological science university of catania 95123

sex sexuality and the autism spectrum google books - Aug 25 2022

web sex sexuality and the autism spectrum wendy lawson jessica kingsley publishers 2005 psychology 175 pages written by an insider an openly gay autistic adult wendy lawson writes frankly

new study examines sexuality of people with autism medical xpress - Apr 20 2022

web may 5 2021 new study examines sexuality of people with autism healthday adults with autism report a broad range of sexuality being much more likely to identify as asexual bisexual or homosexual than

aspects of sexuality during development in autism spectrum - Jun 22 2022

web aug 29 2018 sexuality is a central dimension of a person's physical and psychological development and it plays a fundamental role in shaping the individual's self identity 1 2 in the past few years there has been an increased attempt to support people with developmental disabilities e.g. autism spectrum disorder asd down syndrome etc

new insights into the sexual health and activity of autistic adults - Nov 27 2022

web new research published this autumn in autism research the official journal of the international society of autism research reveals significant differences in sexual orientation and activity between autistic and non-autistic people across the lifespan as the largest study on the sexuality of autistic adolescents and adults these results may

understanding the interaction between autism and sexuality - Jun 03 2023

web aug 13 2021 sex sexuality and romance autism understanding the interaction between autism and sexuality those with more autistic traits seem to be more likely to identify as bisexual posted august

addressing the sexuality and sex education of individuals with autism - Dec 29 2022

web this paper addresses the need for sexuality education for individuals with autism spectrum disorders it provides a brief overview of autism and asperger's syndrome as well as a summary of the existing literature regarding the sexuality of this population the existing research suggests that there is a high frequency of sexual behaviors among

autism and sex navigating sexuality and relationships medical news today - May 02 2023

web may 19 2022 summary autism does not affect sexual development and autistic people can have a fulfilling sex life however individuals may have varying approaches to romantic relationships due to

sexuality in autism hypersexual and paraphilic behavior in - Apr 01 2023

web sexuality in autism hypersexual and paraphilic behavior in women and men with high functioning autism spectrum disorder daniel schöttle md daniel schöttle department of psychiatry and psychotherapy university medical center hamburg eppendorf hamburg germany peer briken md

sex aspergers autism psychology today - Feb 16 2022

web mar 1 2016 sex aspergers autism psychology today paul joannides psy d as you like it autism sex aspergers autism a list of books articles and videos for parents singles and couples

as diverse as the spectrum itself trends in sexuality gender and autism - Jan 30 2023

web mar 23 2020 autism spectrum disorder asd is a heterogeneous neurodevelopmental condition persisting through the lifespan characterised by 1 difficulty with social communication and interaction across multiple contexts and 2 restricted or

repetitive behaviours interests or activities rrb1 1 approximately 1 in 59 individuals is