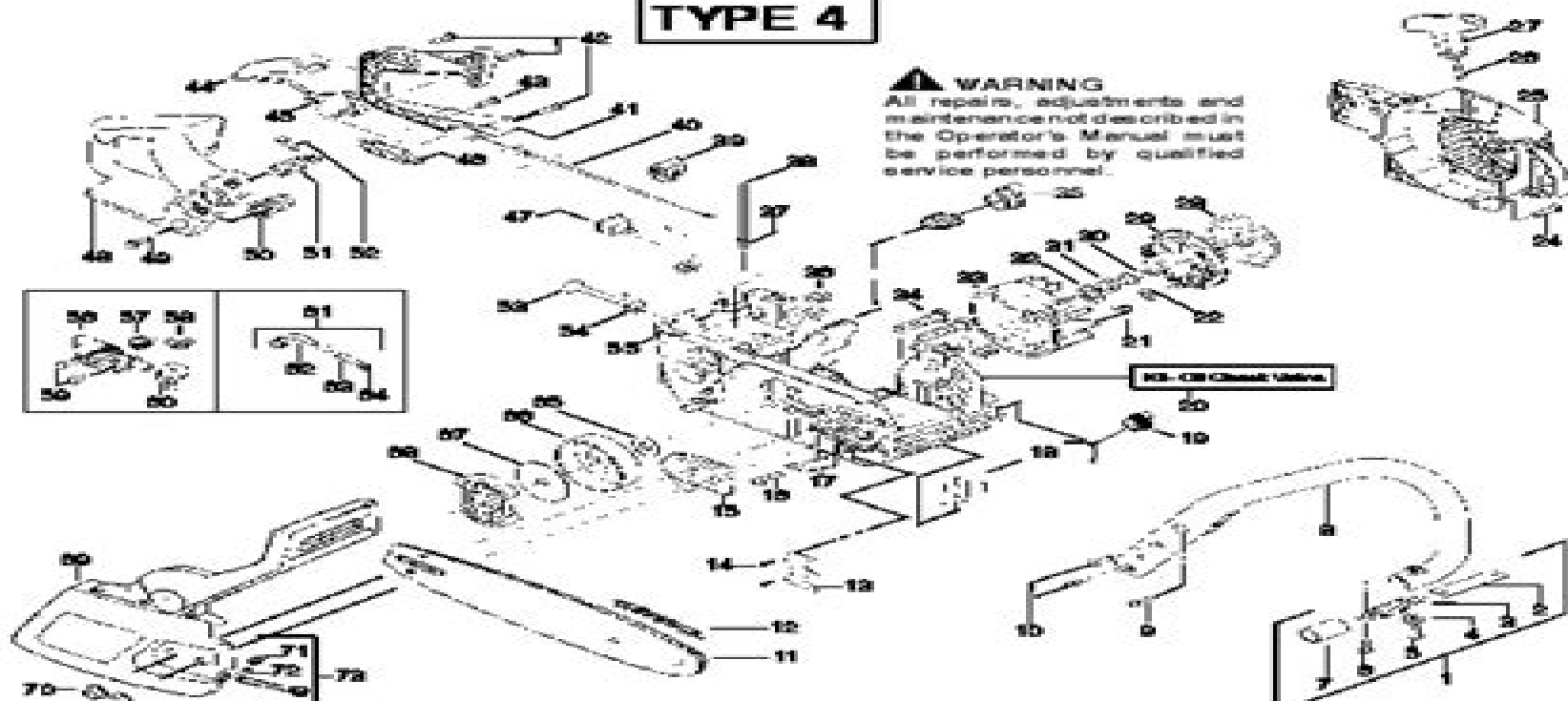


TYPE 4



Qty.	Part No.	Description	Qty.	Part No.	Description	Qty.	Part No.	Description
1	000047863	Asy - Isolator	27	00009400	Handle - Clutch	35	00007000	Knob - Choke
2	000047868	Strip - Liner	28	000007001	Spring - Recoil	34	00008000	Clutch - Recoil
3	000042003	Spring - Isolator	29	000009307	Pulley - Clutch	36	00008000	Asy - Choke
4	000010003	Washer	30	000000000	Screw	37	000071000	Kit - Oil Pump (Inst. 57, 58, 59)
5	000010018	Screw	31	000000104	Mix - Physical	38	00007000	Clear - Worm Spring
6	000010043	Screw	32	000000000	Washer - Physical	39	00008000	Blow - Oil Pickup
7	000030043	Blow - AV Spring	33	000000000	Asy - Physical	40	00008000	Screw
8	000047883	Handle - Fuel	34	000000000	Ball - Bar	41	00008000	Guid Bush
9	000010040	Screw	35	000000000	Asy - Fuel Cap	42	00008000	Asy - Oil Pickup (Inst. 52-54)
10	000010014	Screw	36	000000000	Mix - J - Type	43	00007000	Pick-up Oil (Inst. 52-54)
11	000040000	Bar - 14"	37	000000000	Filter - Fuel In	44	00008000	Filler - Oil
12	000010000	Chain 14"	38	000000000	Kit - Fuel In (Inst. 4)	45	00008000	Plug - Oil Filter
13	000010001	Kit - Asy Spline (Inst. 14)	39	000000000	Clutch - Cable	46	00008000	Washer - Thrust
14	000010000	Screw	40	000000000	Clutch - Throttle	47	00008000	Asy - Clutch Drum w/locking
15	000030000	Plate - Bar Mounting	41	000000000	Cover - Rear Handle	48	00008000	Washer - Clutch
16	000010014	Screw	42	000000000	Screw	49	00008000	Asy - Clutch
17	000010000	Chain Guide	43	000000000	Screw	50	00004788	Asy - Chain Brake
18	000010000	Screw	44	000000000	Lockout - Throttle	51	00008000	Mix - Bar Mounting
19	000010043	Asy - Oil Cap	45	000000000	Tagger - Throttle	52	00008000	Pin - Retainer
20	000070000	Kit - Oil Check Valve	46	000000000	Spring	53	00008000	Retainer
21	000020017	Spring - Blower Dog	47	000000000	Kit - Switch	54	00008000	Kit - Bar Adjust (Inst. 7 1 & 72)
22	000010000	Screw	48	000000000	Handle - Rear	55	00008000	
23	---	---	49	000000000	Screw	56	00008000	
24	000010000	Screw	50	000000000	Asy - Isolator - Rear	57	00008000	
25	000040000	Housing - Fan	51	000000000	Kit - Isolator (Upper)	58	00008000	
26	00008000	Kit - Rope	52	000000000	Screw	59	00008000	

© 1987 McCulloch Chainsaw Division, McCulloch Power Tools International, Inc. All rights reserved.

Mcculloch Mac 335 Chainsaw Manual

Hongru Du



Mcculloch Mac 335 Chainsaw Manual:

Mcculloch Mac 335 Chainsaw Manual Book Review: Unveiling the Magic of Language

In an electronic digital era where connections and knowledge reign supreme, the enchanting power of language has become more apparent than ever. Its capability to stir emotions, provoke thought, and instigate transformation is actually remarkable. This extraordinary book, aptly titled "**Mcculloch Mac 335 Chainsaw Manual**," published by a very acclaimed author, immerses readers in a captivating exploration of the significance of language and its profound impact on our existence. Throughout this critique, we will delve into the book's central themes, evaluate its unique writing style, and assess its overall influence on its readership.

http://www.armchairempire.com/public/uploaded-files/Download_PDFS/if%20men%20could%20talk%20unlocking%20the%20secret%20language%20of%20men.pdf

Table of Contents Mcculloch Mac 335 Chainsaw Manual

1. Understanding the eBook Mcculloch Mac 335 Chainsaw Manual
 - The Rise of Digital Reading Mcculloch Mac 335 Chainsaw Manual
 - Advantages of eBooks Over Traditional Books
2. Identifying Mcculloch Mac 335 Chainsaw Manual
 - Exploring Different Genres
 - Considering Fiction vs. Non-Fiction
 - Determining Your Reading Goals
3. Choosing the Right eBook Platform
 - Popular eBook Platforms
 - Features to Look for in an Mcculloch Mac 335 Chainsaw Manual
 - User-Friendly Interface
4. Exploring eBook Recommendations from Mcculloch Mac 335 Chainsaw Manual
 - Personalized Recommendations
 - Mcculloch Mac 335 Chainsaw Manual User Reviews and Ratings

- Mcculloch Mac 335 Chainsaw Manual and Bestseller Lists
- 5. Accessing Mcculloch Mac 335 Chainsaw Manual Free and Paid eBooks
 - Mcculloch Mac 335 Chainsaw Manual Public Domain eBooks
 - Mcculloch Mac 335 Chainsaw Manual eBook Subscription Services
 - Mcculloch Mac 335 Chainsaw Manual Budget-Friendly Options
- 6. Navigating Mcculloch Mac 335 Chainsaw Manual eBook Formats
 - ePub, PDF, MOBI, and More
 - Mcculloch Mac 335 Chainsaw Manual Compatibility with Devices
 - Mcculloch Mac 335 Chainsaw Manual Enhanced eBook Features
- 7. Enhancing Your Reading Experience
 - Adjustable Fonts and Text Sizes of Mcculloch Mac 335 Chainsaw Manual
 - Highlighting and Note-Taking Mcculloch Mac 335 Chainsaw Manual
 - Interactive Elements Mcculloch Mac 335 Chainsaw Manual
- 8. Staying Engaged with Mcculloch Mac 335 Chainsaw Manual
 - Joining Online Reading Communities
 - Participating in Virtual Book Clubs
 - Following Authors and Publishers Mcculloch Mac 335 Chainsaw Manual
- 9. Balancing eBooks and Physical Books Mcculloch Mac 335 Chainsaw Manual
 - Benefits of a Digital Library
 - Creating a Diverse Reading Collection Mcculloch Mac 335 Chainsaw Manual
- 10. Overcoming Reading Challenges
 - Dealing with Digital Eye Strain
 - Minimizing Distractions
 - Managing Screen Time
- 11. Cultivating a Reading Routine Mcculloch Mac 335 Chainsaw Manual
 - Setting Reading Goals Mcculloch Mac 335 Chainsaw Manual
 - Carving Out Dedicated Reading Time
- 12. Sourcing Reliable Information of Mcculloch Mac 335 Chainsaw Manual
 - Fact-Checking eBook Content of Mcculloch Mac 335 Chainsaw Manual
 - Distinguishing Credible Sources

13. Promoting Lifelong Learning
 - Utilizing eBooks for Skill Development
 - Exploring Educational eBooks
14. Embracing eBook Trends
 - Integration of Multimedia Elements
 - Interactive and Gamified eBooks

Mcculloch Mac 335 Chainsaw Manual Introduction

Free PDF Books and Manuals for Download: Unlocking Knowledge at Your Fingertips In today's fast-paced digital age, obtaining valuable knowledge has become easier than ever. Thanks to the internet, a vast array of books and manuals are now available for free download in PDF format. Whether you are a student, professional, or simply an avid reader, this treasure trove of downloadable resources offers a wealth of information, conveniently accessible anytime, anywhere. The advent of online libraries and platforms dedicated to sharing knowledge has revolutionized the way we consume information. No longer confined to physical libraries or bookstores, readers can now access an extensive collection of digital books and manuals with just a few clicks. These resources, available in PDF, Microsoft Word, and PowerPoint formats, cater to a wide range of interests, including literature, technology, science, history, and much more. One notable platform where you can explore and download free Mcculloch Mac 335 Chainsaw Manual PDF books and manuals is the internet's largest free library. Hosted online, this catalog compiles a vast assortment of documents, making it a veritable goldmine of knowledge. With its easy-to-use website interface and customizable PDF generator, this platform offers a user-friendly experience, allowing individuals to effortlessly navigate and access the information they seek. The availability of free PDF books and manuals on this platform demonstrates its commitment to democratizing education and empowering individuals with the tools needed to succeed in their chosen fields. It allows anyone, regardless of their background or financial limitations, to expand their horizons and gain insights from experts in various disciplines. One of the most significant advantages of downloading PDF books and manuals lies in their portability. Unlike physical copies, digital books can be stored and carried on a single device, such as a tablet or smartphone, saving valuable space and weight. This convenience makes it possible for readers to have their entire library at their fingertips, whether they are commuting, traveling, or simply enjoying a lazy afternoon at home. Additionally, digital files are easily searchable, enabling readers to locate specific information within seconds. With a few keystrokes, users can search for keywords, topics, or phrases, making research and finding relevant information a breeze. This efficiency saves time and effort, streamlining the learning process and allowing individuals to focus on extracting the information they need. Furthermore, the availability of free PDF books and manuals fosters a culture of continuous learning.

By removing financial barriers, more people can access educational resources and pursue lifelong learning, contributing to personal growth and professional development. This democratization of knowledge promotes intellectual curiosity and empowers individuals to become lifelong learners, promoting progress and innovation in various fields. It is worth noting that while accessing free Mcculloch Mac 335 Chainsaw Manual PDF books and manuals is convenient and cost-effective, it is vital to respect copyright laws and intellectual property rights. Platforms offering free downloads often operate within legal boundaries, ensuring that the materials they provide are either in the public domain or authorized for distribution. By adhering to copyright laws, users can enjoy the benefits of free access to knowledge while supporting the authors and publishers who make these resources available. In conclusion, the availability of Mcculloch Mac 335 Chainsaw Manual free PDF books and manuals for download has revolutionized the way we access and consume knowledge. With just a few clicks, individuals can explore a vast collection of resources across different disciplines, all free of charge. This accessibility empowers individuals to become lifelong learners, contributing to personal growth, professional development, and the advancement of society as a whole. So why not unlock a world of knowledge today? Start exploring the vast sea of free PDF books and manuals waiting to be discovered right at your fingertips.

FAQs About Mcculloch Mac 335 Chainsaw Manual Books

How do I know which eBook platform is the best for me? Finding the best eBook platform depends on your reading preferences and device compatibility. Research different platforms, read user reviews, and explore their features before making a choice. Are free eBooks of good quality? Yes, many reputable platforms offer high-quality free eBooks, including classics and public domain works. However, make sure to verify the source to ensure the eBook credibility. Can I read eBooks without an eReader? Absolutely! Most eBook platforms offer web-based readers or mobile apps that allow you to read eBooks on your computer, tablet, or smartphone. How do I avoid digital eye strain while reading eBooks? To prevent digital eye strain, take regular breaks, adjust the font size and background color, and ensure proper lighting while reading eBooks. What the advantage of interactive eBooks? Interactive eBooks incorporate multimedia elements, quizzes, and activities, enhancing the reader engagement and providing a more immersive learning experience. Mcculloch Mac 335 Chainsaw Manual is one of the best book in our library for free trial. We provide copy of Mcculloch Mac 335 Chainsaw Manual in digital format, so the resources that you find are reliable. There are also many Ebooks of related with Mcculloch Mac 335 Chainsaw Manual. Where to download Mcculloch Mac 335 Chainsaw Manual online for free? Are you looking for Mcculloch Mac 335 Chainsaw Manual PDF? This is definitely going to save you time and cash in something you should think about.

Find Mcculloch Mac 335 Chainsaw Manual :

[if men could talk unlocking the secret language of men](#)

[ihl excavators parts manuals](#)

[ideeenprijsvraag bebouwing prins hendrikbrug leeuwarden tekst en tekeningen](#)

[iicrc practice test](#)

if you give a mouse a cookie extra sweet edition

[idiots guides zen living](#)

[ics 700b](#)

[ik beschuldig jaccuse door een duitscher](#)

[ifrs guide by robert kirk](#)

[iftsa fire inspector enforcement code 7th edition](#)

[ik ben een dichter moet je weten](#)

[ikea assembly manual](#)

[idiota investigante german helmut mahnke](#)

[idx ge healthcare billing manual](#)

[iede uew results for 2014 2015](#)

Mcculloch Mac 335 Chainsaw Manual :

[introduction to spectroscopy a guide for students o book](#) - Nov 14 2021

10 introduction to spectroscopy chemistry libretexts - Oct 26 2022

web nov 1 2023 application of spectroscopy spectroscopy is mainly used for studying the structure of molecules and atoms spectroscopy will use a large wavelength to investigate the structure and electron configurations of atoms and molecules spectroscopy can

introduction to spectroscopy a guide for students of o - May 01 2023

web publisher s summary covering important spectroscopic techniques used in the study of organic chemistry this third edition is suitable to be used as the main text in a spectroscopy course or as a supplement in a second year organic chemistry course

introduction to spectroscopy google books - Dec 28 2022

web sep 21 2023 spectroscopy study of the absorption and emission of light and other radiation by matter as related to the dependence of these processes on the wavelength of the radiation more recently the definition has been expanded to include the study of the

introduction to spectroscopy a guide for students of organic - Jul 03 2023

web mar 12 2021 this text covers spectroscopic techniques used in the study of organic chemistry the level introduction to spectroscopy a guide for students of organic chemistry by donald l pavia goodreads

free introduction to spectroscopy a guide for students o - Mar 19 2022

web its about what you habit currently this introduction to spectroscopy a guide for students o as one of the most working sellers here will totally be among the best options to review introduction to xafs grant bunker 2010 01 28 a comprehensive practical

introduction to spectroscopy a guide for students of organic - Mar 31 2023

web this comprehensive resource provides an unmatched systematic introduction to spectra and basic theoretical concepts in spectroscopic methods that create a practical learning resource whether you re an introductory student or someone who needs a reliable

spectroscopy definition types facts britannica - Aug 24 2022

web introduction to spectroscopy a guide for students o make just one change jun 18 2020 the authors of make just one change argue that formulating one s own questions is the single most essential skill for learning and one that should be taught to all

introduction to spectroscopy a guide for students of organic - Jun 02 2023

web this text covers spectroscopic techniques used in the study of organic chemistry the level at which these topics are treated is designed to make the material accessible to typical undergraduate chemistry biology environmental science pre medicine pre dentistry

introduction to spectroscopy resource rsc education - Feb 27 2023

web a spectrometer can separate the component colors coming either directly from an emission source or from the light transmitted through a sample a top down diagram of a spectrometer is shown in figure 2 figure 2 the light path through a simple spectrometer

ebook introduction to spectroscopy a guide for students o - Jul 23 2022

web introduction to spectroscopy a guide for students o how to be everything may 05 2023 what do you want to be when you grow up it s a familiar question we re all asked as kids while seemingly harmless the question has unintended consequences it can

[downloadable free pdfs introduction to spectroscopy a guide](#) - Feb 15 2022

introduction to spectroscopy chemistry libretxts - Sep 24 2022

web oct 14 2023 [introduction to spectroscopy a guide for students o secondary ion mass spectrometry paul van der heide 2014 08 19](#) serves as a practical reference for those involved in secondary ionmass spectrometry sims introduces sims along *spectroscopy principle types and applications and example* - Jun 21 2022

web [introduction to spectroscopy a guide for students o successfully startingin astronomical spectroscopy feb 05 2023](#) the book you are about to read is remarkable in the sense that it makes the foundations of astronomical spectroscopy accessible to all

spectroscopy introduction thoughtco - Nov 26 2022

web [introduction to spectroscopy a guide for students o virtual teams in higher education apr 21 2022](#) in recent years virtual teams have become a feature of most corporate workplaces yet few academic programs prepare students to work in virtual *introduction to spectroscopy a guide for students o 2023* - May 21 2022

web line broadcast [introduction to spectroscopy a guide for students o as capably as review them wherever you are now the handbook of organic compounds three volume set jerry workman jr 2000 10 18](#) the handbook of organic compounds nir ir

introduction to spectroscopy a guide for students o mitsuo - Jan 17 2022

introduction to spectroscopy a guide for students of - Aug 04 2023

web [to spectroscopy a guide for students of introduction to spectroscopy 4th edition 9780495114789](#) introduction to spectroscopy a guide for students of introduction to laser spectroscopy sciencedirect introduction to spectroscopy a guide for students

introduction to spectroscopy a guide for students o copy - Dec 16 2021

module 1 fundamentals of spectroscopy mit opencourseware - Sep 05 2023

web donald l pavia gary m lampman george s kriz harcourt college publishers 2001 organic compounds 649 pages a true introductory text for learning the spectroscopic techniques of nuclear

download free introduction to spectroscopy a guide for - Apr 19 2022

web [introduction to spectroscopy a guide for students o which preposition should follow guide here on to or for jan 01 2023](#)

web [a guide for married couples a resource guide for the responsible non monogamist evaluating the school a guide for secondary schools in](#)

free download introduction to spectroscopy 5th ed - Oct 06 2023

web purpose this module is designed to introduce the basic concepts of spectroscopy and to provide a survey of several of the most common types of spectroscopic measurement you will conduct the following measurements uv vis ultraviolet visible spectroscopy of

introduction to spectroscopy a guide for students of organic - Jan 29 2023

web the spectroscopic techniques described below do not provide a three dimensional picture of a molecule but instead yield information about certain characteristic features a brief summary of this information follows ultraviolet visible spectroscopy absorption of this

the davidic cipher unlocking the hidden music of pdf 2023 - Apr 29 2022

web as this the davidic cipher unlocking the hidden music of it ends stirring being one of the favored books the davidic cipher unlocking the hidden music of collections that

the davidic cipher unlocking the music of the psalms - Aug 02 2022

web making the davidic cipher finally unlocks the hidden music of the psalms enabling these timeless works to be deciphered and written into traditional musical notation

the davidic cipher unlocking the music of the psalms - Oct 04 2022

web lore of music feb 10 2022 written by fabre d olivet 1767 1825 this classic study of music was the first to revive pythagoras ideas of the sacred nature of music and its

the davidic cipher unlocking the hidden music of the psalms - Jan 07 2023

web new way through music the word psalm means literally a sacred melody but what exactly would this music sound like in biblical times years in the making the davidic

the davidic cipher unlocking the music of the psalms - Nov 05 2022

web the davidic cipher unlocking the music of the psalms mccorkle dennis firth amazon com tr kitap

the davidic cipher unlocking the music of the psalms dennis - Feb 25 2022

web years in the making the davidic cipher finally unlocks the hidden music of the psalms enabling these timeless works to be deciphered and written into traditional musical

the davidic cipher unlocking the music of the psalms - Jan 27 2022

buy the davidic cipher unlocking the music of the psalms book - May 31 2022

web these islamic sects involves the bizarre doctrines and hidden networks of occult secret societies being based on a rosicrucian myth of egyptian freemasonry which see the

[the davidic cipher unlocking the music of the psalms](#) - Aug 14 2023

web nov 19 2009 years in the making the davidic cipher finally unlocks the hidden music of the psalms enabling these timeless works to be deciphered and written into traditional

the davidic cipher unlocking the music of the psalms paperback - Apr 10 2023

web years in the making the davidic cipher finally unlocks the hidden music of the psalms enabling these timeless works to be deciphered and written into traditional musical

[the davidic cipher unlocking the music of the psalms](#) - Feb 08 2023

web the davidic cipher unlocking the hidden music of the psalms read the bible series book 4 ebook mccorkle dennis amazon co uk books

the davidic cipher unlocking the music of the psalms - Mar 09 2023

web years in the making the davidic cipher finally unlocks the hidden music of the psalms enabling these timeless works to be deciphered and written into traditional musical

[the davidic cipher unlocking the hidden music of](#) - Sep 03 2022

web the davidic cipher unlocking the music of the psalms mccorkle dennis firth 9781432749101 books amazon ca

find doc the davidic cipher unlocking the music of the - Jul 01 2022

web amazon in buy the davidic cipher unlocking the music of the psalms book online at best prices in india on amazon in read the davidic cipher unlocking the music of

the davidic cipher by dennis f mccorkle published by - May 11 2023

web making the davidic cipher finally unlocks the hidden music of the psalms enabling these timeless works to be deciphered and written into traditional musical notation

the davidic cipher unlocking the hidden music of - Jun 12 2023

web dec 10 2009 hear the bible in a whole new way through music the word psalm means literally a sacred melody but what exactly would this music sound like in

the davidic cipher unlocking the music of the psalms - Dec 06 2022

web buy the davidic cipher unlocking the music of the psalms by mccorkle dennis firth isbn 9781432749101 from amazon s book store everyday low prices and free

the davidic cipher unlocking the hidden music of j clinton - Mar 29 2022

web oct 13 2021 the davidic cipher unlocking the music of the psalms dennis firth mc corkle search for books you want to read free by choosing a title in this long list you

[the davidic cipher unlocking the music of the psalms goodreads](#) - Jul 13 2023

web hear the bible in a whole new way through music the word psalm means literally a sacred melody but what exactly would this music sound like in biblical times years in

moon handbooks new hampshire 2 ed including portsmouth - Aug 02 2022

web moon handbooks new hampshire including portsmouth hampshire treasures portsmouth city mar 28 2021 building portsmouth aug 21 2020 historic

moon new hampshire moon handbooks lantos steve - Sep 22 2021

moon handbooks new hampshire including portsmouth the - Apr 10 2023

web find many great new used options and get the best deals for moon handbooks new hampshire including portsmouth the lakes region the upper valley and the white

moon handbooks new hampshire including portsmouth the - Aug 14 2023

web may 2 2001 this comprehensive handbook is your guide to a destination for all seasons experience spectacular autumn foliage skiing in the white mountains maple sugaring in

amazon com customer reviews moon handbooks new - Feb 08 2023

web buy moon handbooks new hampshire including portsmouth the lakes region and the white mountains by steve lantos online at alibris we have new and used copies

moon tennessee moon handbooks amazon com - Dec 26 2021

web moon handbooks new hampshire including portsmouth the lakes region and the white mountains steve lantos

buy moon handbooks new hampshire including portsmouth - Sep 03 2022

web moon handbooks new hampshire 2 ed including portsmouth the lakes region and the white mountains by steve lantos 1 35 used new from 0 01 as of 12 28 2012

moon handbooks new hampshire including portsmouth the - Mar 09 2023

web find helpful customer reviews and review ratings for moon handbooks new hampshire including portsmouth the lakes region and the white mountains at amazon com

moon handbooks new hampshire including portsmouth the - Nov 24 2021

web mar 4 2014 moon maui including molokai lanai moon handbooks ellison kyle on amazon com free shipping on qualifying offers moon maui including molokai

moon handbooks ser new hampshire including portsmouth - Nov 05 2022

web abebooks

9781566912815 moon handbooks new hampshire including - May 11 2023

web abebooks com moon handbooks new hampshire including portsmouth the lakes region and the white mountains

moon handbooks new hampshire including portsmouth the - Jan 07 2023

web moon handbooks new hampshire moon travel handbooks by steve lantos and a great selection of related books art and collectibles available now at abebooks com

moon handbooks micronesia amazon com - Feb 25 2022

web moon handbooks new hampshire including portsmouth a brief history of the new hampshire women suffrage association jan 11 2021 a legal handbook for women in

moon maui including molokai lanai moon handbooks - Oct 24 2021

web including portsmouth the lakes region the upper valley and the white mountain features updated and expanded information for hikers and bikers along with new online

moon handbooks new hampshire including portsmouth the - Mar 29 2022

web oct 22 2003 language english paperback 384 pages isbn 10 1566915082 isbn 13 978 1566915083 item weight 12 ounces dimensions 5 5 x 0 5 x 7 25

moon handbooks new hampshire moon travel - Jun 12 2023

web abebooks com moon handbooks new hampshire including portsmouth the lakes region and the white mountains 9781566912815 by lantos steve and a great

moon handbooks new hampshire by lantos steve abebooks - Dec 06 2022

web find many great new used options and get the best deals for moon handbooks ser new hampshire including portsmouth the lakes region and the white mountains

moon handbooks new hampshire including portsmouth the - Apr 29 2022

web apr 23 2014 moon handbooks new hampshire including portsmouth the lakes region and the white mountains moon handbooks new hampshire including

moon handbooks new hampshire including portsmouth the - May 31 2022

web south carolina usa places librarything maine vermont amp new hampshire moon handbooks 1st ed moon handbooks new hampshire including portsmouth the

abebooks - Oct 04 2022

web amazon in buy moon handbooks new hampshire including portsmouth the lakes region and the white mountains book online at best prices in india on amazon in read

moon handbooks new hampshire including portsmouth - Jul 01 2022

web buy moon handbooks new hampshire including portsmouth the lakes region and the white mountains others book from

as low as 6 24

moon handbooks new hampshire including portsmouth pdf - Jan 27 2022

web mar 31 2009 she also guides travelers to less visited but worthwhile sights including mud island and the memphis brooks museum of art with details on hiking in the great

moon new hampshire including portsmouth the lakes region - Jul 13 2023

web moon new hampshire including portsmouth the lakes region the upper valley and the white mountains moon handbooks by lantos steve at abebooks co uk isbn