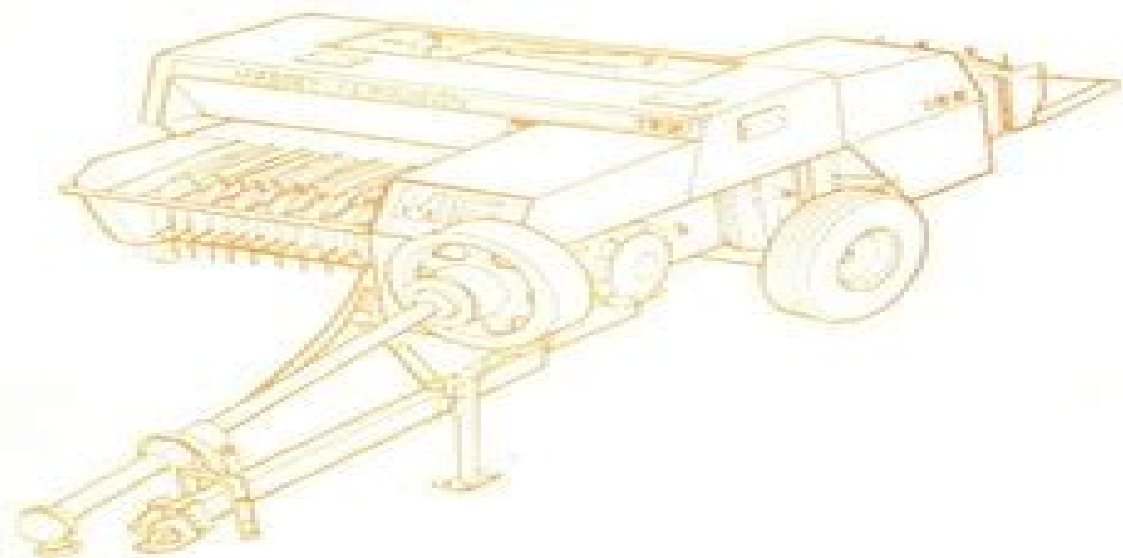


# PARTS BOOK

## MF 120-124-126-128-130 BALER

MACHINE SERIES 2183



**MF**

**Massey Ferguson**

CENTRAL PARTS OPERATION - RACINE

# Massey Ferguson 130 Baler Parts Manual

**Y Pai**



## **Massey Ferguson 130 Baler Parts Manual:**

**Catalog of Copyright Entries. Third Series** Library of Congress. Copyright Office,1960 Includes Part 1 Number 2 Books and Pamphlets Including Serials and Contributions to Periodicals July December **Catalog of Copyright Entries** Library of Congress. Copyright Office,1959 **Catalog of Copyright Entries, Third Series** Library of Congress. Copyright Office,1959 The record of each copyright registration listed in the Catalog includes a description of the work copyrighted and data relating to the copyright claim the name of the copyright claimant as given in the application for registration the copyright date the copyright registration number etc Official Guide, Tractors and Farm Equipment ,1988 Progressive Farmer ,1998 **Books and Pamphlets, Including Serials and Contributions to Periodicals** Library of Congress. Copyright Office,1960 **Farmers and Consumers Market Bulletin** ,2011 The Farmer & Stock-breeder ,1956 **Western Farm Equipment** ,1958 **Farmer's Weekly** ,1955 **Massey Ferguson 130 TECHNICAL SERVICE REPAIR SHOP MANUAL** ,1959-01-15 AMJ, Agricultural Machinery Journal ,1979 *Union Agriculturist and Western Prairie Farmer* ,1983 **The Prairie Farmer** ,1958 *Moore's Rural New Yorker* ,1963 **Prairie Farmer** ,1984 **Supplementary Parts Book** Massey-Ferguson (Aust.) Ltd.), *Parts Book* Massey-Ferguson (Aust.) Ltd.),1974 Massey-Ferguson Shop Manual No. MF-25 ,1966 **Massey Ferguson Shop Manual Models Mdls MF25 MF130** Penton Staff,2000-05-24 Models MF25 MF130

Ignite the flame of optimism with its motivational masterpiece, Find Positivity in **Massey Ferguson 130 Baler Parts Manual** . In a downloadable PDF format ( PDF Size: \*), this ebook is a beacon of encouragement. Download now and let the words propel you towards a brighter, more motivated tomorrow.

[http://www.armchairempire.com/data/Resources/Documents/mazda\\_6\\_navigation\\_manual.pdf](http://www.armchairempire.com/data/Resources/Documents/mazda_6_navigation_manual.pdf)

## **Table of Contents Massey Ferguson 130 Baler Parts Manual**

1. Understanding the eBook Massey Ferguson 130 Baler Parts Manual
  - The Rise of Digital Reading Massey Ferguson 130 Baler Parts Manual
  - Advantages of eBooks Over Traditional Books
2. Identifying Massey Ferguson 130 Baler Parts Manual
  - Exploring Different Genres
  - Considering Fiction vs. Non-Fiction
  - Determining Your Reading Goals
3. Choosing the Right eBook Platform
  - Popular eBook Platforms
  - Features to Look for in an Massey Ferguson 130 Baler Parts Manual
  - User-Friendly Interface
4. Exploring eBook Recommendations from Massey Ferguson 130 Baler Parts Manual
  - Personalized Recommendations
  - Massey Ferguson 130 Baler Parts Manual User Reviews and Ratings
  - Massey Ferguson 130 Baler Parts Manual and Bestseller Lists
5. Accessing Massey Ferguson 130 Baler Parts Manual Free and Paid eBooks
  - Massey Ferguson 130 Baler Parts Manual Public Domain eBooks
  - Massey Ferguson 130 Baler Parts Manual eBook Subscription Services
  - Massey Ferguson 130 Baler Parts Manual Budget-Friendly Options
6. Navigating Massey Ferguson 130 Baler Parts Manual eBook Formats

- ePub, PDF, MOBI, and More
  - Massey Ferguson 130 Baler Parts Manual Compatibility with Devices
  - Massey Ferguson 130 Baler Parts Manual Enhanced eBook Features
7. Enhancing Your Reading Experience
    - Adjustable Fonts and Text Sizes of Massey Ferguson 130 Baler Parts Manual
    - Highlighting and Note-Taking Massey Ferguson 130 Baler Parts Manual
    - Interactive Elements Massey Ferguson 130 Baler Parts Manual
  8. Staying Engaged with Massey Ferguson 130 Baler Parts Manual
    - Joining Online Reading Communities
    - Participating in Virtual Book Clubs
    - Following Authors and Publishers Massey Ferguson 130 Baler Parts Manual
  9. Balancing eBooks and Physical Books Massey Ferguson 130 Baler Parts Manual
    - Benefits of a Digital Library
    - Creating a Diverse Reading Collection Massey Ferguson 130 Baler Parts Manual
  10. Overcoming Reading Challenges
    - Dealing with Digital Eye Strain
    - Minimizing Distractions
    - Managing Screen Time
  11. Cultivating a Reading Routine Massey Ferguson 130 Baler Parts Manual
    - Setting Reading Goals Massey Ferguson 130 Baler Parts Manual
    - Carving Out Dedicated Reading Time
  12. Sourcing Reliable Information of Massey Ferguson 130 Baler Parts Manual
    - Fact-Checking eBook Content of Massey Ferguson 130 Baler Parts Manual
    - Distinguishing Credible Sources
  13. Promoting Lifelong Learning
    - Utilizing eBooks for Skill Development
    - Exploring Educational eBooks
  14. Embracing eBook Trends
    - Integration of Multimedia Elements
    - Interactive and Gamified eBooks

## **Massey Ferguson 130 Baler Parts Manual Introduction**

Massey Ferguson 130 Baler Parts Manual Offers over 60,000 free eBooks, including many classics that are in the public domain. Open Library: Provides access to over 1 million free eBooks, including classic literature and contemporary works. Massey Ferguson 130 Baler Parts Manual Offers a vast collection of books, some of which are available for free as PDF downloads, particularly older books in the public domain. Massey Ferguson 130 Baler Parts Manual : This website hosts a vast collection of scientific articles, books, and textbooks. While it operates in a legal gray area due to copyright issues, its a popular resource for finding various publications. Internet Archive for Massey Ferguson 130 Baler Parts Manual : Has an extensive collection of digital content, including books, articles, videos, and more. It has a massive library of free downloadable books. Free-eBooks Massey Ferguson 130 Baler Parts Manual Offers a diverse range of free eBooks across various genres. Massey Ferguson 130 Baler Parts Manual Focuses mainly on educational books, textbooks, and business books. It offers free PDF downloads for educational purposes. Massey Ferguson 130 Baler Parts Manual Provides a large selection of free eBooks in different genres, which are available for download in various formats, including PDF. Finding specific Massey Ferguson 130 Baler Parts Manual, especially related to Massey Ferguson 130 Baler Parts Manual, might be challenging as theyre often artistic creations rather than practical blueprints. However, you can explore the following steps to search for or create your own Online Searches: Look for websites, forums, or blogs dedicated to Massey Ferguson 130 Baler Parts Manual, Sometimes enthusiasts share their designs or concepts in PDF format. Books and Magazines Some Massey Ferguson 130 Baler Parts Manual books or magazines might include. Look for these in online stores or libraries. Remember that while Massey Ferguson 130 Baler Parts Manual, sharing copyrighted material without permission is not legal. Always ensure youre either creating your own or obtaining them from legitimate sources that allow sharing and downloading. Library Check if your local library offers eBook lending services. Many libraries have digital catalogs where you can borrow Massey Ferguson 130 Baler Parts Manual eBooks for free, including popular titles. Online Retailers: Websites like Amazon, Google Books, or Apple Books often sell eBooks. Sometimes, authors or publishers offer promotions or free periods for certain books. Authors Website Occasionally, authors provide excerpts or short stories for free on their websites. While this might not be the Massey Ferguson 130 Baler Parts Manual full book , it can give you a taste of the authors writing style. Subscription Services Platforms like Kindle Unlimited or Scribd offer subscription-based access to a wide range of Massey Ferguson 130 Baler Parts Manual eBooks, including some popular titles.

## **FAQs About Massey Ferguson 130 Baler Parts Manual Books**

**What is a Massey Ferguson 130 Baler Parts Manual PDF?** A PDF (Portable Document Format) is a file format developed

by Adobe that preserves the layout and formatting of a document, regardless of the software, hardware, or operating system used to view or print it. **How do I create a Massey Ferguson 130 Baler Parts Manual PDF?** There are several ways to create a PDF: Use software like Adobe Acrobat, Microsoft Word, or Google Docs, which often have built-in PDF creation tools. Print to PDF: Many applications and operating systems have a "Print to PDF" option that allows you to save a document as a PDF file instead of printing it on paper. Online converters: There are various online tools that can convert different file types to PDF. **How do I edit a Massey Ferguson 130 Baler Parts Manual PDF?** Editing a PDF can be done with software like Adobe Acrobat, which allows direct editing of text, images, and other elements within the PDF. Some free tools, like PDFescape or Smallpdf, also offer basic editing capabilities. **How do I convert a Massey Ferguson 130 Baler Parts Manual PDF to another file format?** There are multiple ways to convert a PDF to another format: Use online converters like Smallpdf, Zamzar, or Adobe Acrobat's export feature to convert PDFs to formats like Word, Excel, JPEG, etc. Software like Adobe Acrobat, Microsoft Word, or other PDF editors may have options to export or save PDFs in different formats. **How do I password-protect a Massey Ferguson 130 Baler Parts Manual PDF?** Most PDF editing software allows you to add password protection. In Adobe Acrobat, for instance, you can go to "File" -> "Properties" -> "Security" to set a password to restrict access or editing capabilities. Are there any free alternatives to Adobe Acrobat for working with PDFs? Yes, there are many free alternatives for working with PDFs, such as: LibreOffice: Offers PDF editing features. PDFsam: Allows splitting, merging, and editing PDFs. Foxit Reader: Provides basic PDF viewing and editing capabilities. How do I compress a PDF file? You can use online tools like Smallpdf, ILovePDF, or desktop software like Adobe Acrobat to compress PDF files without significant quality loss. Compression reduces the file size, making it easier to share and download. Can I fill out forms in a PDF file? Yes, most PDF viewers/editors like Adobe Acrobat, Preview (on Mac), or various online tools allow you to fill out forms in PDF files by selecting text fields and entering information. Are there any restrictions when working with PDFs? Some PDFs might have restrictions set by their creator, such as password protection, editing restrictions, or print restrictions. Breaking these restrictions might require specific software or tools, which may or may not be legal depending on the circumstances and local laws.

### **Find Massey Ferguson 130 Baler Parts Manual :**

[mazda 6 navigation manual](#)

[mazda 3 2010 manual](#)

**mazda 3 2014 gt manual transmission**

*may 2014 c2 mark scheme*

**mazda b2000 workshop manual**

[maurice denis albert kostenevitch](#)

[mazda 6 diesel manual transmission](#)

[mazda 6 2006 repair service manual](#)

**[mazda 3 mazda speed 3 2009 2012 service repair manual](#)**

[mazda b3 1 3 manual](#)

[mazak pmc web manual](#)

**[mazda 626 haynes manual](#)**

**[mazak nexus 100 operator manual](#)**

[matp eligibility quick reference guide](#)

[mats sundin hockey heroes biography series hockey heroes greystone](#)

### **Massey Ferguson 130 Baler Parts Manual :**

[ship structural analysis and design semantic scholar - Apr 01 2022](#)

web of the many different topics and aspects in preliminary structural design some are an inherent part of rationally based design e g the aspects pertaining to response

**[a pioneer of computer aided ship structural design - Nov 08 2022](#)**

web feb 7 2019 ship structure design is to select the appropriate structural materials and structural forms and determine the size and connection of all components after the

[a pioneer of computer based ship structural design - Nov 27 2021](#)

[ship structural analysis and design owen hughes - Oct 19 2023](#)

web home ship structural analysis and design owen hughes ship structural analysis and design owen hughes click the start the download download pdf report this

**[ship structural analysis and design owen hughes - Jun 03 2022](#)**

web jul 1 2010 2018 tldr a new methodology to determine the design values of wave induced hull girder loads acting on ships based on probabilistic approaches associated

[ship structural design owen f hughes pdf scribd - Aug 05 2022](#)

web the program may also be used to perform a series of hindcasting analyses of various types of ships in order to determine the approximate magnitude of the safety factors that

[ship structural analysis and design download free - Dec 29 2021](#)



*ship structural analysis and design owen hughes 1library* - Jan 30 2022

web a pioneer of computer based ship structural design professor owen f hughes dr owen f hughes was professor of ship structures department of aerospace and

*ship structural analysis design 13 122 mit opencourseware* - Jun 15 2023

web matrix grillage and fem analysis intro to matrix analysis summary of chapter 1 from zienkiewicz the finite element method any of five editions matrix analysis

**ship structural analysis and design by owen f hughes open** - Apr 13 2023

web dec 18 2022 ship structural analysis and design by owen f hughes 2010 society of naval architects and marine engineers edition in english

ship structural analysis and design goodreads - Jan 10 2023

web dr hughes has been navsea research professor at the us naval academy chairman of the sname panel on design procedures and philosophy and chairman of the

**9780939773787 ship structural analysis and design abebooks** - Oct 07 2022

web designing from first principles requires two separate and very extensive analyses a response analysis to ascertain the true and complete response of the structure to all

**knovel ship structural analysis and design** - Jul 16 2023

web ship structural analysis and design this book focuses on the most complex aspects of ship structural design which is preliminary design and will benefit structural designers

*ship structural analysis and design sname* - Sep 18 2023

web ship structural analysis and design by owen hughes and jeom kee paik 2010 thorough clear and informative ship structural design focuses on the most complex

ship structural design springerlink - Sep 06 2022

web sep 11 2015 originally written by dr hughes as ship structural design in 1983 the new book is the result of many years of effort by professors hughes and paik with significant

*ship structural analysis and design tu delft repositories* - May 14 2023

web ship structural analysis and design author hughes owen f faculty mechanical maritime and materials engineering department marine and transport technology

*ship structural analysis and design hardcover* - Feb 11 2023

web ship structural analysis and design 1 reviews authors owen f hughes jeom kee paik dominique beghin summary for a structure as large and as complex as a ship there

*hughes owen f paik jeom kee ship structural analysis and* - May 02 2022

web ship structural design and anal owen f hughes december 2019 pdf bookmark download this document was uploaded by user and they confirmed that they have the

*hughes o paik j k ship structural analysis and design sciarium* - Jul 04 2022

web 375205341 hughes owen f paik jeom kee ship structural analysis and design 2010 pdf free download as pdf file pdf text file txt or read online for free scribd

ship structural analysis and design worldcat org - Dec 09 2022

web ship structural analysis and design by jeon kee hughes owen paik at abebooks co uk isbn 10 0939773783 isbn 13 9780939773787 paik jeom kee

**ship structural design and anal owen f hughes** - Feb 28 2022

web jun 18 2021 the content of the publication is focusing on the most important areas of the preliminary ship structural design presenting the relevant information in clear and

*a pioneer of computer aided ship structural design* - Mar 12 2023

web dec 22 2020 hughes o f janava r t and wood w a shipopt a cad system for rationally based ship structural design and optimization in computer applications in

**ship structural analysis and design google books** - Aug 17 2023

web owen f hughes jeom kee paik society of naval architects and marine engineers 2010 naval architecture for a structure as large ans as complex as a ship there are three

**what are ford motorcraft parts and where can i purchase them** - Jul 01 2022

web motorcraft parts include tyres batteries brakes and shock absorbers as well as other common parts for more information contact your local ford dealership or visit

find stores with motorcraft parts motorcraft dealers near you - Aug 02 2022

web search by city state zip to find dealers and repair shops that sell motorcraft parts near you motorcraft offers premium aftermarket replacement parts for your ford and lincoln

**ids calibration software update process** - Nov 24 2021

web jan 21 2015 ids calibration software update process motorcraftservice com ids calibration software update process motorcraftservice com

**ford service ford owner support** - Jan 07 2023

web use ford services for tires brakes wiper blades filters oil change battery maintenance and more get roadside assistance ford protect extended warranty plans ford parts

**ford diagnose apps on google play** - Mar 29 2022

web aug 1 2023 view service bulletins and messages for diagnostic trouble codes read from the vehicle all this can be done on any 2010 or newer ford lincoln and mercury

**fjdssupport fordserviceinfo com** - Jul 13 2023

web fjds is designed for use with j2534 compatible vehicle communications interfaces vci including ford diagnostic hardware vcm ii or vcm the fjds software license

what are ford motorcraft parts ford australia - Dec 26 2021

web ford motorcraft is a range of parts designed for older ford vehicles as well as providing competitively priced servicing and repairs ford motorcraft parts offers value for money

**usa motorcraft technical resources** - Feb 08 2023

web motorcraft technical resources find wiring diagrams diagnostic tool support owner guides repair manuals and more some resources may require a subscription or fee

usa motorcraft professional service network - Sep 03 2022

web home professional service network independent repair shops who are loyal motorcraft omnicraft and ford parts customers can take advantage of a host of exclusive

*fjdssupport fordserviceinfo com* - May 11 2023

web software manuals fdrs faq fdrs quick reference guide ids software updates ids user manual ids web download guide vcm ii customer flight recorder operator s

**motorcraft service elektrik mekanik İstanbul esenler** - Oct 04 2022

web motorcraft service elektrik mekanik ana sayfa firma rehberi firma detay İstanbul esenler 12 nisan 2020 37 0 0 İşletme id 690462 motorcraft service elektrik

usa motorcraft - May 31 2022

web from product spotlights to tech tips helpful tools to breaking news here s where you ll find useful motorcraft parts info that will keep you in the know get news tips

*fjdssupport fordserviceinfo com* - Jun 12 2023

web jun 28 2023 software download software download links step 1 download diagnostic software then install diagnostic software ids 129 full fjds 129 full fdrs 37 4 4

*motorcraftservice com* - Apr 10 2023

web motorcraftservice com

*global fdrs quick reference guide* - Nov 05 2022

web 1 log in select dealer or non dealer enter etis pts or motorcraft service id enter password to log into ford network 2 license information is shown network settings are

**motorcraft service elektrik mekanik yorumlar fotoğraflar** - Apr 29 2022

web motorcraft service elektrik mekanik fotoğraflar ve yorum için nicelocal biz tr web sitesini ziyaret edin İletişim bilgileri Şirket adı servis metro istasyonu bölge ve diğer anahtar

**usa motorcraft total parts lineup** - Feb 25 2022

web motorcraft premium aftermarket replacement parts for ford and lincoln vehicles tested to provide performance and long life reliability two year unlimited mileage warranty labor

**where can i get self repair and technical information** - Dec 06 2022

web the motorcraft service website has a variety of resources for self repair and technical information to get started visit the motorcraft service website and select your

*motorcraft service yorumlar fotoğraflar telefon numaraları ve* - Mar 09 2023

web motorcraft service terazidere metro İstasyonuna yakın fotoğraflar ve yorumlar için nicelocal biz tr web sitesini ziyaret edin İletişim bilgileri

**usa motorcraft products** - Jan 27 2022

web motorcraft parts deliver the oe fit and function you need for ford and lincoln models and that s not surprising after all they were engineered by the same people who engineered

*motorcraftservice com* - Aug 14 2023

web please select country country

alfred bass guitar method books musician s friend - Feb 22 2022

**sheet music alfred s basic bass scales and modes** - Dec 03 2022

web alfred music electric bass for guitarists w cd reverb similar listings lewis music publishing electric bass al vessa s method vol 1 elementary 9 95 used very good

**bass guitar sheet music alfred music** - Nov 21 2021

*bass guitar sheet music alfred music* - Sep 12 2023

web alfred music has provides quality sheet music method books and reference materials for teachers students and performers shop shop by instrument piano alfred s basic

**beginning bass for adults bass guitar book cd** - Mar 06 2023

web digital sheet music available in ebook format video audio recordings available in makemusic cloud featured methods  
accent on achievement alfred s basic guitar

**alfred s basic bass method book 1 sheet music plus** - Nov 02 2022

web aug 22 2023 bass guitar alfred s basic bass method bk 1 the most popular method for learning how to play book dvd  
ron manus 2007 08 recognized for over 50

**alfred bass guitar methods musician s friend** - Apr 26 2022

web digital sheet music available in ebook format video audio recordings available in makemusic cloud featured methods  
accent on achievement alfred s basic guitar

alfred s basic bass method complete the most popular method - Mar 26 2022

web book 1 covers all the necessities including how to hold your bass tuning your bass right and left hand technique the  
basics of reading music notes on all four strings scales

guitar sheet music method books alfred music - Jun 09 2023

web wth lyrics and chords medium level of difficulty isbn 9780739063699 publisher s no alf 00 33601 format din a4 40 pages  
includes cd rom with demo and play along

**bass guitar alfred music uniport edu ng** - May 28 2022

web alfred bass geboren am 1 august 1867 in linz Österreich ungarn gestorben nach dem 28 oktober 1941 war ein  
österreichischer arzt eine zeit lang mitglied der mittwoch

*alfred s play electric bass basics sheet music plus* - Jul 30 2022

web get the guaranteed lowest prices on alfred bass guitar method books instruments at musician s friend

**alfred s basic bass method 1 alfred music** - Jul 10 2023

web alfred s basic guitar method guitar methods instruction tab songbooks play alongs save 10 when you order 100 or more  
discount will be automatically applied at

**alfred music electric bass for guitarists w cd reverb** - Jun 28 2022

web oct 4 2023 the boy was neatly dressed and ready to play drums across port au prince hundreds of children like  
woodberson are playing percussion piano and bass guitar to

alfred music publishing garantiert bass lernen thomann uk - Aug 31 2022

web jul 1 2008 learning to play bass has never been easier or more fun than with alfred s basic bass method complete this  
method features clear well paced instruction

*alfred music publishing rolling stones bass play along* - Feb 05 2023

web method for bass guitar bass method for four and five string basses by christoph herder in standard notation and

tablature with chord diagrams isbn 9783943638295  
[alfred bass wikipedia](#) - Dec 23 2021

*alfred s basic bass method 1 bass guitar book sheet music* - Oct 21 2021

[alfred s basic bass method 1 reverb](#) - Jan 04 2023

web shop and buy alfred s play electric bass basics sheet music bass guitar sheet music book by alfred music at sheet music plus ap 34205

**haitian students play drums and strum guitars to escape hunger** - Jan 24 2022

**alfred music sheet music method books and more** - Oct 01 2022

web get the guaranteed lowest prices on alfred bass guitar methods instruments at musician s friend

**alfred s play electric bass basics alfred music** - Apr 07 2023

web bass guitar method or supplement method instruction alfred s basic bass guitar library instructional method and play along book and digital download with standard

[alfred s basic guitar method alfred music](#) - May 08 2023

web shop for alfred instructional books at the music store alfred s basic bass method 1 is a comprehensive instructional book designed to teach beginners how to play the bass

*learn to play the alfred way electric bass alfred music* - Aug 11 2023

web request access to dealer website 2023 alfred music terms conditions browse our wide selection of guitar methods tab songbooks and play alongs from the