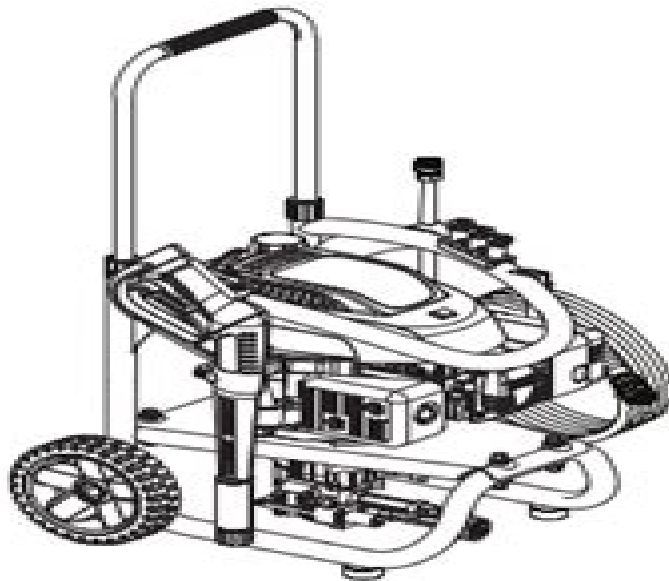


# Homelite® OPERATOR'S MANUAL

MANUEL D'UTILISATION  
MANUAL DEL OPERADOR

2200 PSI PRESSURE WASHER  
NETTOYEUR HAUTE PRESSION DE 2200 PSI  
LAVADORA A PRESIÓN DE 2200 PSI

UT80516



To register your Homelite product, please visit:  
<http://register.homelite.com/>

Pour enregistrer votre produit de Homelite, s'il vous plaît la visitez:  
<http://register.homelite.com/>

Para registrar su producto de Homelite, por favor visita:  
<http://register.homelite.com/>

Your pressure washer has been engineered and manufactured to our high standard for dependability, ease of operation, and operator safety. When properly cared for, it will give you years of rugged, trouble-free performance.

**WARNING:** To reduce the risk of injury, the user must read and understand the operator's manual before using this product.

Thank you for your purchase.

## SAVE THIS MANUAL FOR FUTURE REFERENCE

Ce nettoyeur haute pression a été conçu et fabriqué conformément aux strictes normes de fiabilité, simplicité d'emploi et sécurité d'utilisation. Correctement entretenu, il vous donnera des années de fonctionnement robuste et sans problème.

**AVERTISSEMENT :** Pour réduire les risques de blessures, l'utilisateur doit lire et veiller à bien comprendre le manuel d'utilisation avant d'utiliser ce produit.

Merci de votre achat.

**CONSERVER CE MANUEL POUR  
FUTURE RÉFÉRENCE**

Su lavadora de presión ha sido diseñada y fabricada de conformidad con las estrictas normas para brindar fiabilidad, facilidad de uso y seguridad para el operador. Con el debido cuidado, le brindará muchos años de sólido y eficiente funcionamiento.

**ADVERTENCIA:** Para reducir el riesgo de lesiones, el usuario debe leer y comprender el manual del operador antes de usar este producto.

Le agradecemos su compra.

**GUARDE ESTE MANUAL PARA  
FUTURAS CONSULTAS**

# Homelite Ut44170 User Guide

**Kathleen Armour**



## **Homelite Ut44170 User Guide:**

The Captivating Realm of E-book Books: A Detailed Guide Unveiling the Pros of E-book Books: A World of Ease and Flexibility E-book books, with their inherent portability and ease of availability, have liberated readers from the limitations of physical books. Gone are the days of lugging bulky novels or meticulously searching for particular titles in bookstores. E-book devices, stylish and portable, seamlessly store an extensive library of books, allowing readers to immerse in their favorite reads whenever, everywhere. Whether commuting on a bustling train, lounging on a sunny beach, or simply cozying up in bed, Kindle books provide an unparalleled level of convenience. A Reading Universe Unfolded: Exploring the Vast Array of E-book Homelite Ut44170 User Guide Homelite Ut44170 User Guide The Kindle Store, a virtual treasure trove of literary gems, boasts an extensive collection of books spanning diverse genres, catering to every readers taste and preference. From captivating fiction and thought-provoking non-fiction to classic classics and contemporary bestsellers, the E-book Shop offers an unparalleled abundance of titles to discover. Whether looking for escape through immersive tales of imagination and adventure, delving into the depths of historical narratives, or expanding ones knowledge with insightful works of scientific and philosophy, the E-book Store provides a doorway to a bookish universe brimming with limitless possibilities. A Transformative Force in the Bookish Landscape: The Persistent Influence of Kindle Books Homelite Ut44170 User Guide The advent of Kindle books has unquestionably reshaped the literary landscape, introducing a model shift in the way books are published, disseminated, and read. Traditional publishing houses have embraced the online revolution, adapting their strategies to accommodate the growing need for e-books. This has led to a surge in the accessibility of E-book titles, ensuring that readers have access to a wide array of literary works at their fingertips. Moreover, Kindle books have democratized access to literature, breaking down geographical barriers and offering readers worldwide with similar opportunities to engage with the written word. Irrespective of their place or socioeconomic background, individuals can now engross themselves in the captivating world of books, fostering a global community of readers. Conclusion: Embracing the Kindle Experience Homelite Ut44170 User Guide Kindle books Homelite Ut44170 User Guide, with their inherent ease, versatility, and vast array of titles, have undoubtedly transformed the way we experience literature. They offer readers the liberty to explore the boundless realm of written expression, whenever, everywhere. As we continue to travel the ever-evolving online scene, Kindle books stand as testament to the persistent power of storytelling, ensuring that the joy of reading remains reachable to all.

<http://www.armchairempire.com/results/uploaded-files/default.aspx/matematicas%20cotidianas%20para%20dummies.pdf>

## **Table of Contents Homelite Ut44170 User Guide**

1. Understanding the eBook Homelite Ut44170 User Guide
  - The Rise of Digital Reading Homelite Ut44170 User Guide
  - Advantages of eBooks Over Traditional Books
2. Identifying Homelite Ut44170 User Guide
  - Exploring Different Genres
  - Considering Fiction vs. Non-Fiction
  - Determining Your Reading Goals
3. Choosing the Right eBook Platform
  - Popular eBook Platforms
  - Features to Look for in an Homelite Ut44170 User Guide
  - User-Friendly Interface
4. Exploring eBook Recommendations from Homelite Ut44170 User Guide
  - Personalized Recommendations
  - Homelite Ut44170 User Guide User Reviews and Ratings
  - Homelite Ut44170 User Guide and Bestseller Lists
5. Accessing Homelite Ut44170 User Guide Free and Paid eBooks
  - Homelite Ut44170 User Guide Public Domain eBooks
  - Homelite Ut44170 User Guide eBook Subscription Services
  - Homelite Ut44170 User Guide Budget-Friendly Options
6. Navigating Homelite Ut44170 User Guide eBook Formats
  - ePub, PDF, MOBI, and More
  - Homelite Ut44170 User Guide Compatibility with Devices
  - Homelite Ut44170 User Guide Enhanced eBook Features
7. Enhancing Your Reading Experience
  - Adjustable Fonts and Text Sizes of Homelite Ut44170 User Guide
  - Highlighting and Note-Taking Homelite Ut44170 User Guide
  - Interactive Elements Homelite Ut44170 User Guide
8. Staying Engaged with Homelite Ut44170 User Guide

- Joining Online Reading Communities
  - Participating in Virtual Book Clubs
  - Following Authors and Publishers Homelite Ut44170 User Guide
9. Balancing eBooks and Physical Books Homelite Ut44170 User Guide
- Benefits of a Digital Library
  - Creating a Diverse Reading Collection Homelite Ut44170 User Guide
10. Overcoming Reading Challenges
- Dealing with Digital Eye Strain
  - Minimizing Distractions
  - Managing Screen Time
11. Cultivating a Reading Routine Homelite Ut44170 User Guide
- Setting Reading Goals Homelite Ut44170 User Guide
  - Carving Out Dedicated Reading Time
12. Sourcing Reliable Information of Homelite Ut44170 User Guide
- Fact-Checking eBook Content of Homelite Ut44170 User Guide
  - Distinguishing Credible Sources
13. Promoting Lifelong Learning
- Utilizing eBooks for Skill Development
  - Exploring Educational eBooks
14. Embracing eBook Trends
- Integration of Multimedia Elements
  - Interactive and Gamified eBooks

### **Homelite Ut44170 User Guide Introduction**

In today's digital age, the availability of Homelite Ut44170 User Guide books and manuals for download has revolutionized the way we access information. Gone are the days of physically flipping through pages and carrying heavy textbooks or manuals. With just a few clicks, we can now access a wealth of knowledge from the comfort of our own homes or on the go. This article will explore the advantages of Homelite Ut44170 User Guide books and manuals for download, along with some popular platforms that offer these resources. One of the significant advantages of Homelite Ut44170 User Guide books and manuals for download is the cost-saving aspect. Traditional books and manuals can be costly, especially if you need to

purchase several of them for educational or professional purposes. By accessing Homelite Ut44170 User Guide versions, you eliminate the need to spend money on physical copies. This not only saves you money but also reduces the environmental impact associated with book production and transportation. Furthermore, Homelite Ut44170 User Guide books and manuals for download are incredibly convenient. With just a computer or smartphone and an internet connection, you can access a vast library of resources on any subject imaginable. Whether you're a student looking for textbooks, a professional seeking industry-specific manuals, or someone interested in self-improvement, these digital resources provide an efficient and accessible means of acquiring knowledge. Moreover, PDF books and manuals offer a range of benefits compared to other digital formats. PDF files are designed to retain their formatting regardless of the device used to open them. This ensures that the content appears exactly as intended by the author, with no loss of formatting or missing graphics. Additionally, PDF files can be easily annotated, bookmarked, and searched for specific terms, making them highly practical for studying or referencing. When it comes to accessing Homelite Ut44170 User Guide books and manuals, several platforms offer an extensive collection of resources. One such platform is Project Gutenberg, a nonprofit organization that provides over 60,000 free eBooks. These books are primarily in the public domain, meaning they can be freely distributed and downloaded. Project Gutenberg offers a wide range of classic literature, making it an excellent resource for literature enthusiasts. Another popular platform for Homelite Ut44170 User Guide books and manuals is Open Library. Open Library is an initiative of the Internet Archive, a non-profit organization dedicated to digitizing cultural artifacts and making them accessible to the public. Open Library hosts millions of books, including both public domain works and contemporary titles. It also allows users to borrow digital copies of certain books for a limited period, similar to a library lending system. Additionally, many universities and educational institutions have their own digital libraries that provide free access to PDF books and manuals. These libraries often offer academic texts, research papers, and technical manuals, making them invaluable resources for students and researchers. Some notable examples include MIT OpenCourseWare, which offers free access to course materials from the Massachusetts Institute of Technology, and the Digital Public Library of America, which provides a vast collection of digitized books and historical documents. In conclusion, Homelite Ut44170 User Guide books and manuals for download have transformed the way we access information. They provide a cost-effective and convenient means of acquiring knowledge, offering the ability to access a vast library of resources at our fingertips. With platforms like Project Gutenberg, Open Library, and various digital libraries offered by educational institutions, we have access to an ever-expanding collection of books and manuals. Whether for educational, professional, or personal purposes, these digital resources serve as valuable tools for continuous learning and self-improvement. So why not take advantage of the vast world of Homelite Ut44170 User Guide books and manuals for download and embark on your journey of knowledge?

## **FAQs About Homelite Ut44170 User Guide Books**

How do I know which eBook platform is the best for me? Finding the best eBook platform depends on your reading preferences and device compatibility. Research different platforms, read user reviews, and explore their features before making a choice. Are free eBooks of good quality? Yes, many reputable platforms offer high-quality free eBooks, including classics and public domain works. However, make sure to verify the source to ensure the eBook credibility. Can I read eBooks without an eReader? Absolutely! Most eBook platforms offer web-based readers or mobile apps that allow you to read eBooks on your computer, tablet, or smartphone. How do I avoid digital eye strain while reading eBooks? To prevent digital eye strain, take regular breaks, adjust the font size and background color, and ensure proper lighting while reading eBooks. What the advantage of interactive eBooks? Interactive eBooks incorporate multimedia elements, quizzes, and activities, enhancing the reader engagement and providing a more immersive learning experience. Homelite Ut44170 User Guide is one of the best book in our library for free trial. We provide copy of Homelite Ut44170 User Guide in digital format, so the resources that you find are reliable. There are also many Ebooks of related with Homelite Ut44170 User Guide. Where to download Homelite Ut44170 User Guide online for free? Are you looking for Homelite Ut44170 User Guide PDF? This is definitely going to save you time and cash in something you should think about.

### **Find Homelite Ut44170 User Guide :**

#### **matematicas cotidianas para dummies**

~~math study guide for keystones~~

#### **math lesson plans for kindergarten**

~~mathematical reasoning level b~~

*materialien topographie jerusalem begleittext classic*

[math intervention strategies for first grade](#)

*math guide class 9 bangladesh*

#### **math study guide packet with learning targets**

*mathematics in action gcseand scottish standard grade answers bk 3a*

#### **materi bahan bakar kelas xi**

[math made easy second grade workbook math made easy](#)

[math lab manual class 9 cbse new](#)

~~mathematical statistics wackerly instructor solution manual~~



mathpower 9 western edition answers  
mathematical excursions to the worlds great buildings

### **Homelite Ut44170 User Guide :**

Writing Today [2 ed.] 007353322X, 9780073533223 Writing Today begins with a chapter helping students learn the skills they will need to thrive throughout college and co... writing today Instructor's Manual to accompany Johnson-Sheehan/Paine, Writing Today, Second. Edition and Writing Today, Brief Second Edition. Copyright © 2013, 2010 Pearson ... Reminder as we start a new semester: don't buy textbooks ... Some of my favorite resources (besides torrents) are: LibGen: This is quite simply the best resource for finding a free PDF of almost any ... writing today Instructor's Manual to accompany Johnson-Sheehan/Paine, Writing Today, Third Edition ... ed Web sites, scholarship on second-language writing, worksheets ... Writing Today, Brief Edition May 10, 2010 — With a clear and easy-to-read presentation, visual instruction and pedagogical support, Writing Today is a practical and useful guide to ... From Talking to Writing (2nd Edition) From word choice to sentence structure and composition development, this book provides step-by-step strategies for teaching narrative and expository writing. Johnson-Sheehan & Paine, Writing Today [RENTAL ... Writing Today [RENTAL EDITION], 4th Edition. Richard Johnson-Sheehan, Purdue University. Charles Paine, University of New Mexico. ©2019 | Pearson. Writing Today (2nd Edition): 9780205210084: Johnson- ... With a clear and easy-to-read presentation, visual instruction and pedagogical support, Writing Today is a practical and useful guide to writing for college ... Reading, Writing, and Rising Up- 2nd Edition Jun 15, 2017 — Now, Linda Christensen is back with a fully revised, updated version. Offering essays, teaching models, and a remarkable collection of ... Writing for Today's Healthcare Audiences - Second Edition This reorganized and updated edition of Writing for Today's Healthcare Audiences provides new digital supports for students and course instructors. Side 2 Side by Three 6 Mafia - WhoSampled Side 2 Side by Three 6 Mafia - discover this song's samples, covers and remixes on WhoSampled. Side 2 Side Remix by Three 6 Mafia feat. Kanye ... Side 2 Side Remix by Three 6 Mafia feat. Kanye West and Project Pat - discover this song's samples, covers and remixes on WhoSampled. Three 6 Mafia - Side 2 Side Samples See all of "Side 2 Side" by Three 6 Mafia's samples, covers, remixes, interpolations and live versions. 5.5 - Hypothesis Testing for Two-Sample Proportions We are now going to develop the hypothesis test for the difference of two proportions for independent samples. The hypothesis test follows the same steps as ... Two-Sample t-Test | Introduction to Statistics The two-sample t-test is a method used to test whether the unknown population means of two groups are equal or not. Learn more by following along with our ... 1.3.5.3. Two-Sample *t*-Test for Equal Means Purpose: Test if two population means are equal, The two-sample t-test (Snedecor and Cochran, 1989) is used to determine if two population means are equal. 2 Sample t-Test (1 tailed) Suppose we have two samples of ceramic sherd thickness collected from an archaeological site, where the

two samples are easily distinguishable by the use of. Two sample t-test: SAS instruction Note that the test is two-sided (sides=2), the significance level is 0.05, and the test is to compare the difference between two means ( $\mu_1 - \mu_2$ ) against 0 (h0 ... The Jones Institute: Home Fast-track your way to Strain Counterstrain certification with this 3-in-1 hybrid course. Register. FCS Advanced Collection. \$2599. Bundle and save on our ... The Jones Institute: Home Fast-track your way to Strain Counterstrain certification with this 3-in-1 hybrid course. Register. FCS Advanced Collection. \$2599. Bundle and save on our ... Jones Institute Established in 1988 by Dr. Lawrence Jones and Randall Kusunose, PT, OCS, the Jones Institute offers post-graduate Strain Counterstrain seminars for health ... Jones Strain-Counterstrain by Jones, Lawrence H. Therapists and osteopaths who use this method offer almost pain-free manipulation. They search out tender places on your body and relieve them, helping pain ... Strain/Counterstrain - Hands On Physical Therapy Strain and Counterstrain (SCS) is a gentle soft tissue manipulation technique developed by Dr. Lawrence Jones D.O. over a 40 year period. Jones Strain-Counterstrain | College of Lake County Bookstore Product Description. This book provides photos and step by step instruction for multiple techniques including: Cervical Spine; Thoracic Spine; Costo-Vertebrales; ... Counterstrain Directory ... Jones Institute. Courses. Strain Counterstrain · Fascial Counterstrain · Anatomy Dissection · Course Bundles · Products · Directory. Counterstrain Directory ... JCS2 - STRAIN COUNTERSTRAIN FOR THE LOWER ... This 3 day course covers over 85 Strain Counterstrain techniques for the lumbar spine, sacrum, pelvis, hip, knee, ankle, and foot. JCS1 & JCS2 are entry level ... How Counterstrain Works: A Simplified Jones Counterstrain ...