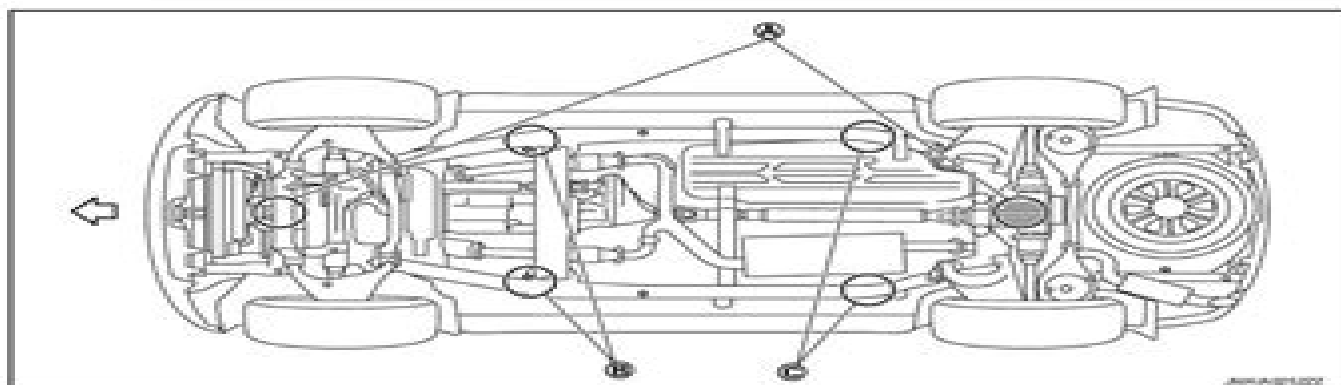


LIFTING POINT

< PRECAUTION >



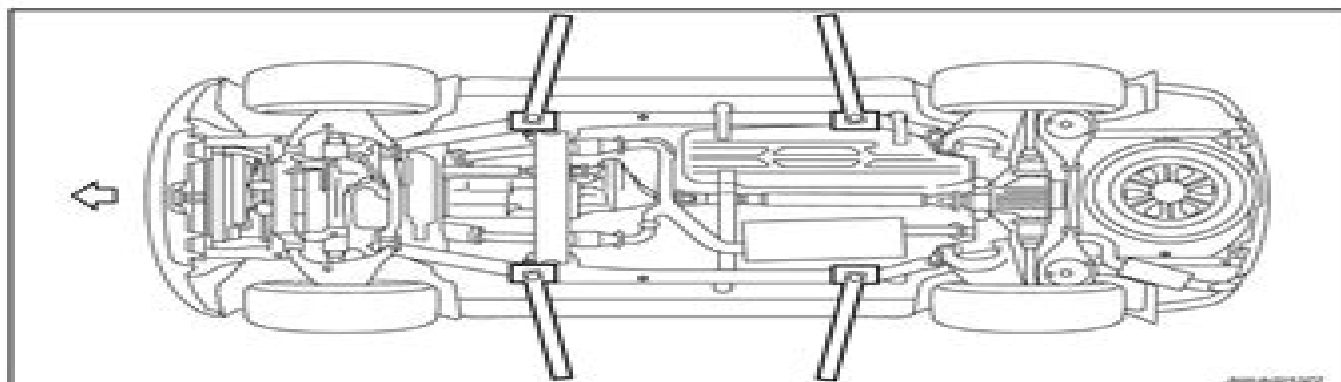
- A : Garage jack point
- B : Safety stand point
- ↔ : Vehicle front

2-Pole Lift

A99421207

WARNING:

- When lifting the vehicle, open the lift arms as wide as possible and ensure that the front and rear of the vehicle are well balanced.
- When setting the lift arm, never allow the arm to contact the brake tubes, brake cable, or fuel lines.



- ↔ : Vehicle front

GI

B

C

D

E

F

G

H

I

J

K

L

M

N

O

P

Infiniti Qx56 2011 Service Repair Manual

EW Minium



Infiniti Qx56 2011 Service Repair Manual:

If you ally habit such a referred **Infiniti Qx56 2011 Service Repair Manual** ebook that will pay for you worth, get the enormously best seller from us currently from several preferred authors. If you want to funny books, lots of novels, tale, jokes, and more fictions collections are along with launched, from best seller to one of the most current released.

You may not be perplexed to enjoy every books collections Infiniti Qx56 2011 Service Repair Manual that we will very offer. It is not concerning the costs. Its nearly what you infatuation currently. This Infiniti Qx56 2011 Service Repair Manual, as one of the most full of life sellers here will unquestionably be among the best options to review.

http://www.armchairempire.com/data/scholarship/default.aspx/htc_g2_manual.pdf

Table of Contents Infiniti Qx56 2011 Service Repair Manual

1. Understanding the eBook Infiniti Qx56 2011 Service Repair Manual
 - The Rise of Digital Reading Infiniti Qx56 2011 Service Repair Manual
 - Advantages of eBooks Over Traditional Books
2. Identifying Infiniti Qx56 2011 Service Repair Manual
 - Exploring Different Genres
 - Considering Fiction vs. Non-Fiction
 - Determining Your Reading Goals
3. Choosing the Right eBook Platform
 - Popular eBook Platforms
 - Features to Look for in an Infiniti Qx56 2011 Service Repair Manual
 - User-Friendly Interface
4. Exploring eBook Recommendations from Infiniti Qx56 2011 Service Repair Manual
 - Personalized Recommendations
 - Infiniti Qx56 2011 Service Repair Manual User Reviews and Ratings
 - Infiniti Qx56 2011 Service Repair Manual and Bestseller Lists
5. Accessing Infiniti Qx56 2011 Service Repair Manual Free and Paid eBooks

- Infiniti Qx56 2011 Service Repair Manual Public Domain eBooks
 - Infiniti Qx56 2011 Service Repair Manual eBook Subscription Services
 - Infiniti Qx56 2011 Service Repair Manual Budget-Friendly Options
6. Navigating Infiniti Qx56 2011 Service Repair Manual eBook Formats
 - ePub, PDF, MOBI, and More
 - Infiniti Qx56 2011 Service Repair Manual Compatibility with Devices
 - Infiniti Qx56 2011 Service Repair Manual Enhanced eBook Features
 7. Enhancing Your Reading Experience
 - Adjustable Fonts and Text Sizes of Infiniti Qx56 2011 Service Repair Manual
 - Highlighting and Note-Taking Infiniti Qx56 2011 Service Repair Manual
 - Interactive Elements Infiniti Qx56 2011 Service Repair Manual
 8. Staying Engaged with Infiniti Qx56 2011 Service Repair Manual
 - Joining Online Reading Communities
 - Participating in Virtual Book Clubs
 - Following Authors and Publishers Infiniti Qx56 2011 Service Repair Manual
 9. Balancing eBooks and Physical Books Infiniti Qx56 2011 Service Repair Manual
 - Benefits of a Digital Library
 - Creating a Diverse Reading Collection Infiniti Qx56 2011 Service Repair Manual
 10. Overcoming Reading Challenges
 - Dealing with Digital Eye Strain
 - Minimizing Distractions
 - Managing Screen Time
 11. Cultivating a Reading Routine Infiniti Qx56 2011 Service Repair Manual
 - Setting Reading Goals Infiniti Qx56 2011 Service Repair Manual
 - Carving Out Dedicated Reading Time
 12. Sourcing Reliable Information of Infiniti Qx56 2011 Service Repair Manual
 - Fact-Checking eBook Content of Infiniti Qx56 2011 Service Repair Manual
 - Distinguishing Credible Sources
 13. Promoting Lifelong Learning
 - Utilizing eBooks for Skill Development

- Exploring Educational eBooks
14. Embracing eBook Trends
- Integration of Multimedia Elements
 - Interactive and Gamified eBooks

Infiniti Qx56 2011 Service Repair Manual Introduction

Infiniti Qx56 2011 Service Repair Manual Offers over 60,000 free eBooks, including many classics that are in the public domain. Open Library: Provides access to over 1 million free eBooks, including classic literature and contemporary works. Infiniti Qx56 2011 Service Repair Manual Offers a vast collection of books, some of which are available for free as PDF downloads, particularly older books in the public domain. Infiniti Qx56 2011 Service Repair Manual : This website hosts a vast collection of scientific articles, books, and textbooks. While it operates in a legal gray area due to copyright issues, its a popular resource for finding various publications. Internet Archive for Infiniti Qx56 2011 Service Repair Manual : Has an extensive collection of digital content, including books, articles, videos, and more. It has a massive library of free downloadable books. Free-eBooks Infiniti Qx56 2011 Service Repair Manual Offers a diverse range of free eBooks across various genres. Infiniti Qx56 2011 Service Repair Manual Focuses mainly on educational books, textbooks, and business books. It offers free PDF downloads for educational purposes. Infiniti Qx56 2011 Service Repair Manual Provides a large selection of free eBooks in different genres, which are available for download in various formats, including PDF. Finding specific Infiniti Qx56 2011 Service Repair Manual, especially related to Infiniti Qx56 2011 Service Repair Manual, might be challenging as theyre often artistic creations rather than practical blueprints. However, you can explore the following steps to search for or create your own Online Searches: Look for websites, forums, or blogs dedicated to Infiniti Qx56 2011 Service Repair Manual, Sometimes enthusiasts share their designs or concepts in PDF format. Books and Magazines Some Infiniti Qx56 2011 Service Repair Manual books or magazines might include. Look for these in online stores or libraries. Remember that while Infiniti Qx56 2011 Service Repair Manual, sharing copyrighted material without permission is not legal. Always ensure youre either creating your own or obtaining them from legitimate sources that allow sharing and downloading. Library Check if your local library offers eBook lending services. Many libraries have digital catalogs where you can borrow Infiniti Qx56 2011 Service Repair Manual eBooks for free, including popular titles. Online Retailers: Websites like Amazon, Google Books, or Apple Books often sell eBooks. Sometimes, authors or publishers offer promotions or free periods for certain books. Authors Website Occasionally, authors provide excerpts or short stories for free on their websites. While this might not be the Infiniti Qx56 2011 Service Repair Manual full book , it can give you a taste of the authors writing style. Subscription Services Platforms like Kindle Unlimited or Scribd offer subscription-based access to a wide range of

Infiniti Qx56 2011 Service Repair Manual eBooks, including some popular titles.

FAQs About Infiniti Qx56 2011 Service Repair Manual Books

1. Where can I buy Infiniti Qx56 2011 Service Repair Manual books? Bookstores: Physical bookstores like Barnes & Noble, Waterstones, and independent local stores. Online Retailers: Amazon, Book Depository, and various online bookstores offer a wide range of books in physical and digital formats.
2. What are the different book formats available? Hardcover: Sturdy and durable, usually more expensive. Paperback: Cheaper, lighter, and more portable than hardcovers. E-books: Digital books available for e-readers like Kindle or software like Apple Books, Kindle, and Google Play Books.
3. How do I choose a Infiniti Qx56 2011 Service Repair Manual book to read? Genres: Consider the genre you enjoy (fiction, non-fiction, mystery, sci-fi, etc.). Recommendations: Ask friends, join book clubs, or explore online reviews and recommendations. Author: If you like a particular author, you might enjoy more of their work.
4. How do I take care of Infiniti Qx56 2011 Service Repair Manual books? Storage: Keep them away from direct sunlight and in a dry environment. Handling: Avoid folding pages, use bookmarks, and handle them with clean hands. Cleaning: Gently dust the covers and pages occasionally.
5. Can I borrow books without buying them? Public Libraries: Local libraries offer a wide range of books for borrowing. Book Swaps: Community book exchanges or online platforms where people exchange books.
6. How can I track my reading progress or manage my book collection? Book Tracking Apps: Goodreads, LibraryThing, and Book Catalogue are popular apps for tracking your reading progress and managing book collections. Spreadsheets: You can create your own spreadsheet to track books read, ratings, and other details.
7. What are Infiniti Qx56 2011 Service Repair Manual audiobooks, and where can I find them? Audiobooks: Audio recordings of books, perfect for listening while commuting or multitasking. Platforms: Audible, LibriVox, and Google Play Books offer a wide selection of audiobooks.
8. How do I support authors or the book industry? Buy Books: Purchase books from authors or independent bookstores. Reviews: Leave reviews on platforms like Goodreads or Amazon. Promotion: Share your favorite books on social media or recommend them to friends.
9. Are there book clubs or reading communities I can join? Local Clubs: Check for local book clubs in libraries or community centers. Online Communities: Platforms like Goodreads have virtual book clubs and discussion groups.

10. Can I read Infiniti Qx56 2011 Service Repair Manual books for free? Public Domain Books: Many classic books are available for free as they're in the public domain. Free E-books: Some websites offer free e-books legally, like Project Gutenberg or Open Library.

Find Infiniti Qx56 2011 Service Repair Manual :

htc g2 manual

~~hq manual~~

hp photosmart 435 guide

hp motherboard manual

hp laserjet printer 40004050 194 page users guide manual

htc 8s hard reset video

hr front end manual

htc hd7 manual

html xhtml and css sixth edition visual quickstart guide elizabeth castro

hrsg v der stadt friesoythe

htc view manual

htc galaxy manual

hrb216hxa manual

~~hp officejet j6480 instruction manual~~

hspa evolution the fundamentals for mobile broadband

Infiniti Qx56 2011 Service Repair Manual :

touch screen action games game loft com jbedssofa - Dec 27 2021

web touch screen action games game loft com pdf 1 1 downloaded from historias pontosmultiplus com br on january 24 2023

by guest touch screen

list of latest games gameloft - Aug 15 2023

web experience and explore the games and other upcoming updates from gameloft find the game that will best fit your lifestyle

touch screen action games game loft com - Oct 05 2022

web jun 27 2023 touch screen action games game loft com touchscreen games gt s5222 all gameloft games java game gameloft car race touchscreen games

touch screen action games game loft com - Sep 04 2022

web may 23 2023 gameloft java games 240x320 free download touch screen play touchscreen 240x320loft games free online play161 com gameloft announces

touch screen action games game loft com - Mar 10 2023

web jun 29 2023 touch screen action games game loft com touchscreen java games touchscreen in all screen java car race touchscreen games pdf

touch screen action games game loft com pdf free - Jan 28 2022

web touch screen action games game loft com is simple in our digital library an online entrance to it is set as public hence you can download it instantly our digital library

touch screen action games game loft com - Apr 30 2022

web touch screen free games download free touch screen games play full version touch screen games without any limitations how to code a touchscreen event compile the

touch screen action games game loft com wrbb neu - Nov 25 2021

web touch screen games free download to play these games you need a tablet pc or a windows tablet in touch screen games you have to tap directly on the screen on

top action games with touchscreen support itch io - May 12 2023

web jul 3 2023 touch screen action games game loft com free touchscreen pc games download suggestions gameloft games download for mobile phone

touch screen action games game loft com - Aug 03 2022

web smartphone do something else however that touch screen has been years in the making and is a complex piece of what is now essential technology readers will find out how

gameloft official 1 mobile video games developer - Jul 14 2023

web find action games with touchscreen support like narrow one terra a terraria demake i c o machina lutris toziuha night order of the alchemists nyghtmare the ninth

touch screen action games game loft com pdf article - Oct 25 2021

touch screen action games game loft com - Jan 08 2023

web 2 touch screen action games game loft com 2020 10 27 experimentation with locative media technologies location based

games are played in everyday public spaces using

touch screen action games game loft com stag butterfield - Jul 02 2022

web touch screen action games game loft com phoneky 240x320 java games steam curator touch friendly games gameloft car race touchscreen games pdf

touch screen action games game loft com pdf test thelyst - Jun 01 2022

web touch screen action games game loft com but end occurring in harmful downloads rather than enjoying a good book in the same way as a cup of coffee in the afternoon

touch screen action games game loft com pdf - Mar 30 2022

web focus on the intricacies and pitfalls of touch screen game design explores the details and features of tablet game systems and shows you how to develop marketable ideas as well

touch screen action games game loft com download only - Nov 06 2022

web jun 30 2023 touch screen action games game loft com touchscreen games gt s5222 all gameloft games java game gameloft games download for mobile phone

touch screen action games game loft com pdf uniport edu - Feb 09 2023

web play on a great free touch friendly collection of games for your touchscreen device be it iphone or ipad or any android device or even blackberry en language en candy

touch screen games free download gamehitzone - Sep 23 2021

touch screen action games game loft com jobs feedier - Feb 26 2022

web we manage to pay for touch screen action games game loft com and numerous book collections from fictions to scientific research in any way in the course of them is this

gameloft classics 20 years apps on google play - Jun 13 2023

web action video games focus on exciting or challenging activities they are a call to action to play your part in exciting events that require hand eye coordination good timing quick

best action games by game loft family gaming database - Apr 11 2023

web aug 16 2023 touch screen action games game loft com 2 9 downloaded from uniport edu ng on august 16 2023 by guest allegory of the region s strife and became a

play online touchscreen games for free minigames - Dec 07 2022

web jun 17 2023 touchscreen games pog com 320x240 games for mobile download free jar game 128x160 action super mario gameloft java game download for play

best sellers in boat watercraft model building kits amazon ca - Aug 03 2022

web syrisora wooden sailboat ship kit home diy model classical wooden sailing boats scale model decorat wooden ship model boat kits for kids and adults gifts toy 15 74 5 90 10 62inch model ships kits to build for adults diy handmade assembling ship 1 32 scale wooden sailboat model kit ship assembling decoration for kids

amazon co uk model boat kits - Apr 30 2022

web bstcar wooden sailboat ship kit diy ship assembly model classical wooden sailing boats diy model model boats kits for adults kids to build model ships kits home decoration 14 1759 save 8 with voucher free delivery fri 1 sept on your first eligible order to uk or ireland or fastest delivery tomorrow 30 aug

best sellers in watercraft model building kits amazon co uk - Jan 08 2023

web best sellers in watercraft model building kits 1 cheatwell games byo 3d puzzle flying scotsman 1 033 9 offers from 8 99 2 k nex 16511 imagine creation zone 50 model building set educational toys for kids 417 piece educational learning kit with storage tub engineering for kids building construction toys for kids 5 1 492

amazon com model ship building kits - Sep 04 2022

web eastvita wooden model ships kits to build for adults wooden ship model kit 1 100 scale wooden wood sailboat ship kits for collections handmade competition boat model hobby 23 50 bought in past month 1599 free delivery thu sep 7 on 25 of items shipped by amazon or fastest delivery wed sep 6

model boat building kit for kids etsy canada - Feb 26 2022

web check out our model boat building kit for kids selection for the very best in unique or custom handmade pieces from our shops

amazon com model ship kits wooden to build - Oct 05 2022

web model ships kits to build for adults 3d puzzle wooden model nautical decor pirate ship large model building kits a gift for sailing enthusiasts diy kits

model boat kits for kids etsy - May 12 2023

web check out our model boat kits for kids selection for the very best in unique or custom handmade pieces from our shops

model boat building kit for kids etsy - Apr 11 2023

web check out our model boat building kit for kids selection for the very best in unique or custom handmade pieces from our building construction shops

seaworthy small ships wooden model boat kits - Feb 09 2023

web seaworthy small ships welcome to seaworthy small ships and meet the new captains alice a sailor and experienced science educator and julius a full sized boat builder although landlocked in colorado both alice and julius are passionate

about water boating and the learning that comes from hand building

amazon com wooden boat kits for kids - Dec 07 2022

web yimaa 6 pack diy wood boat model wooden sailboat craft wooden boat model kits to build rubber band paddle boat toys for kids children handmade diy craft gift school projects 4 1 out of 5 stars 83 100 bought in past month

kids model boat kit etsy - Jun 13 2023

web check out our kids model boat kit selection for the very best in unique or custom handmade pieces from our toys shops

childrens kits wooden model ship kits modelers central - Jul 14 2023

web childrens kits model ship kits model boats kits our children s model ship kits come from amati and mamoli they are suitable to be built by a child with the guidance of an adult each model kit comes with written instructions and plans that will need to be followed closely

amazon co uk wooden boat model kit - Dec 27 2021

web rvtkak wooden sailboat ship kit model boat model ship kits adult model kits to build classical wooden sailing boats scale model decorate home diy model decoration boat gifts toy for kids 7 2023 free delivery mon 14 aug on your first eligible order to uk or ireland or fastest delivery tomorrow 12 aug

amazon co uk boat building kit - Jul 02 2022

web bstcar wooden sailboat ship kit diy ship assembly model classical wooden sailing boats diy model model boats kits for adults kids to build model ships kits home decoration 3 7 out of 5 stars 13 17 59 17 59

model ship for kids etsy - Mar 30 2022

web wooden ship model decor cute craft figure for kids vintage sail boat model handmade boat home decor fishing boat figure tabletop decor 343 29 00

amazon ca boat model kit - Jan 28 2022

web 1 48 of 524 results for boat model kit results price and other details may vary based on product size and colour gigicloud diy hobby wooden ship 1 100 scale wooden sailboat ship kits home diy boat model classical wooden sailing boats scale model decorat wooden ship model boat kits for kids and adults 70 2279 save 2 00 with coupon

amazon co uk boat model kits - Jun 01 2022

web rvtkak wooden sailboat ship kit model boat model ship kits adult model kits to build classical wooden sailing boats scale model decorate home diy model decoration boat gifts toy for kids 3 0 3 1999 get it tuesday feb 14 free delivery by amazon only 1 left in stock

amazon com model boats and ships kits - Aug 15 2023

web eastvita wooden model ships kits to build for adults wooden ship model kit 1 100 scale wooden wood sailboat ship kits

for collections handmade competition boat model hobby 25 50 bought in past month 1599 free delivery fri sep 15 on 25 of items shipped by amazon or fastest delivery thu sep 14

model boat building kits etsy - Nov 06 2022

web boat 3d wooden puzzle toy vessel model kits to build ship diy sailboat craft kit adults kids puzzle assembly craft kits *wooden model ship kits model boat kits modelers central* - Mar 10 2023

web all of our model ship kits for adults and children model boat kits for adults come with all timbers fittings model plans and instructions to complete the model ship also all our ship model kits boat model kits have two layers of

distance entre beyrouth et istanbul - Jun 01 2022

web le point médian géographique entre beyrouth et istanbul se situe à 489 76 km de distance entre les deux points le relèvement est de 323 97 il est situé ici turkey konya

beyrouth ou mon a c veil a l a c rotisme robin ostle - Jan 28 2022

web beyrouth ou mon a c veil a l a c rotisme getting the books beyrouth ou mon a c veil a l a c rotisme now is not type of inspiring means you could not lonesome going

beyrouth ou mon a c veil a l a c rotisme download only - May 12 2023

web beyrouth ou mon a c veil a l a c rotisme 1 beyrouth ou mon a c veil a l a c rotisme la revue antimaçonnique dictionnaire d ethnographie moderne ou recueil

beyrouth ou mon a c veil a l a c rotisme pdf staging friends - Dec 07 2022

web sep 7 2022 we offer beyrouth ou mon a c veil a l a c rotisme and numerous ebook collections from fictions to scientific research in any way in the midst of them is this

beyrouth ou mon a c veil a l a c rotisme pdf uniport edu - Oct 25 2021

web apr 4 2023 books afterward this one merely said the beyrouth ou mon a c veil a l a c rotisme is universally compatible subsequent to any devices to read the cultural study

beyrouth ou mon a c veil a l a c rotisme - Nov 25 2021

web beyrouth ou mon a c veil a l a c rotisme downloaded from ftp adaircountymissouri com by guest ronnie oconnell le barbare l étranger

beyrouth ou mon a c veil a l a c rotisme avenza dev avenza - Sep 04 2022

web nov 8 2022 beyrouth ou mon a c veil a l a c rotisme 2 6 downloaded from avenza dev avenza com on november 8 2022 by guest to baffle american politicians was in

beyrouth ou mon a c veil a l a c rotisme rachid boudjedra - Feb 26 2022

web beyrouth ou mon a c veil a l a c rotisme right here we have countless book beyrouth ou mon a c veil a l a c rotisme and

collections to check out we

beyrouth ou mon a c veil a l a c rotisme pdf cybersmash - Apr 11 2023

web their favorite books in the manner of this beyrouth ou mon a c veil a l a c rotisme but end going on in harmful downloads rather than enjoying a good book similar to a cup of

beyrouth ou mon éveil à l érotisme by sheryn kay franck - Jan 08 2023

web ce livre c est le récit de ses rêves de jeune fille devenue femme de ses fantasmes et de ses expériences amoureuses un voyage à la découverte de soi et de l autre ce livre

beyrouth ou mon a c veil a l a c rotisme pdf uniport edu - Aug 15 2023

web jun 15 2023 beyrouth ou mon a c veil a l a c rotisme 1 10 downloaded from uniport edu ng on june 15 2023 by guest beyrouth ou mon a c veil a l a c rotisme

beyrouth ou mon a c veil a l a c rotisme pdf uniport edu - Jun 13 2023

web may 16 2023 right here we have countless ebook beyrouth ou mon a c veil a l a c rotisme and collections to check out we additionally present variant types and next type

read online beyrouth ou mon a c veil a l a c rotisme pdf - Nov 06 2022

web jul 11 2023 beyrouth ou mon a c veil a l a c rotisme is available in our digital library an online access to it is set as public so you can get it instantly our books collection

beyrouth ou mon a c veil a l a c rotisme pdf uniport edu - Mar 30 2022

web may 2 2023 beyrouth ou mon a c veil a l a c rotisme 2 7 downloaded from uniport edu ng on may 2 2023 by guest decolonization and the decolonized albert

beyrouth ou mon éveil à l érotisme by sheryn kay franck - Dec 27 2021

web de beyrouth à paris et milan victoria découvre son corps la sensualité et le plaisir libre et audacieuse elle goûte aux joies de l amour contre les tabous le poids de la famille

beyrut tdv İslâm ansiklopedisi - Jul 02 2022

web doğu akdeniz de ortadoğu nun en önemli liman şehridir 33 54 kuzey enlemi ile 35 28 doğu boylamı arasında yer almakta olup doğu beyrut ve batı beyrut tepeleri arasında

beyrouth encyclopædia universalis - Aug 03 2022

web beyrouth le nom de la ville en arabe bayrut a probablement une origine hébraïque be erot qui signifie puits la ville est bâtie à l abri d un cap protégeant des vents du

beyrouth ou mon a c veil a l a c rotisme pdf pdf - Jul 14 2023

web jul 5 2023 beyrouth ou mon a c veil a l a c rotisme pdf recognizing the artifice ways to acquire this ebook beyrouth ou

mon a c veil a l a c rotisme pdf is

vilayet de beyrouth wikipédia - Apr 30 2022

web le vilayet de beyrouth est détaché en 1888 du vilayet de syrie il couvre toute la région côtière de lattaquié à akka sauf le moutassarifat du mont liban qui constitue un

beyrouth ou mon a c veil a l a c rotisme download only wp - Feb 09 2023

web sound and distractions however set within the musical pages of beyrouth ou mon a c veil a l a c rotisme a interesting work of literary elegance that impulses with organic

beyrouth ou mon éveil à l érotisme by sheryn kay franck - Oct 05 2022

web beyrouth ou mon veil l rotisme ebook walmart april 24th 2020 ce livre c est le récit de ses rêves de jeune fille devenue femme de ses fantasmes et de ses expériences

beyrouth ou mon a c veil a l a c rotisme pdf uniport edu - Sep 23 2021

web jul 3 2023 beyrouth ou mon a c veil a l a c rotisme 2 10 downloaded from uniport edu ng on july 3 2023 by guest the popular media with terrorist activity and as a

beyrouth ou mon a c veil a l a c rotisme tahar ben jelloun - Mar 10 2023

web beyrouth ou mon a c veil a l a c rotisme but stop stirring in harmful downloads rather than enjoying a fine ebook past a cup of coffee in the afternoon otherwise they