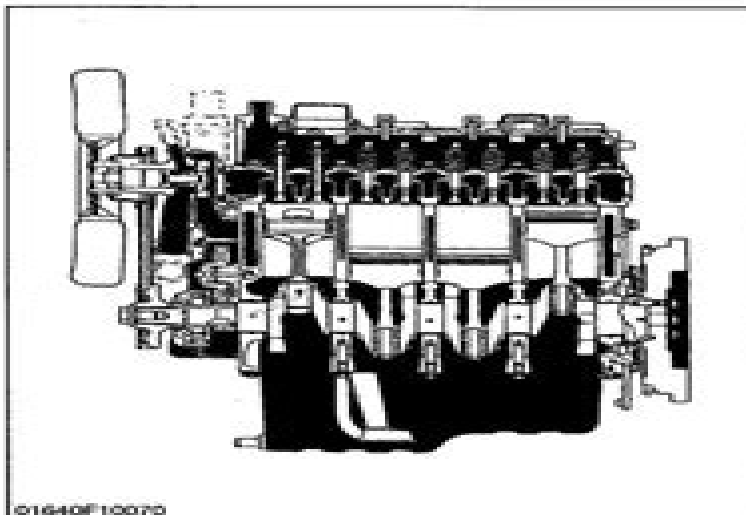
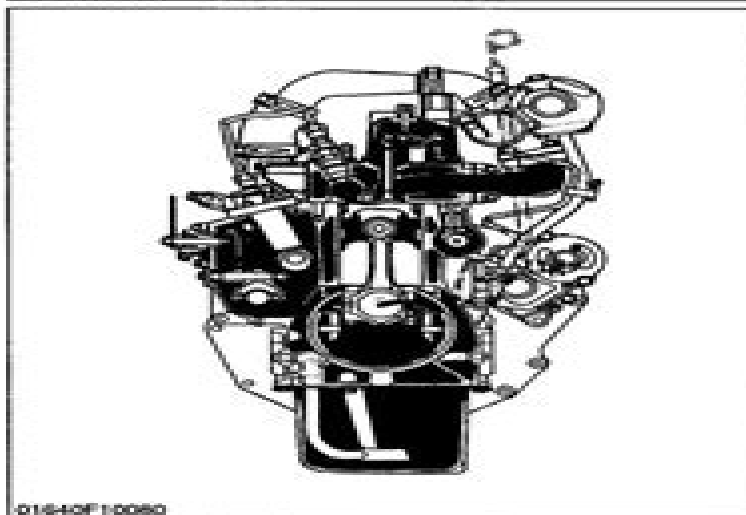


## F FEATURE



01640F10070



01640F10080

The D5 SERIES ENGINE are vertical, water-cooled, 4 cycle diesel engines.

They are incorporated KUBOTA's foremost technologies. With KUBOTA's E-TVCS (Three Vortex Combustion System), well-known Bosch MD type injection pump and the well-balanced designs, they give greater power, low fuel consumption, little vibration and quiet operation.

### ■ NOTE

- Since January 1994, E-TVCS has been used for the combustion chamber of our products instead of traditional N-TVCS.

E-TVCS was developed with an eye toward clean exhaust gas which is more environmentally friendly.

The combustion chamber models mentioned hereinafter refers to E-TVCS.

Model of combustion chamber :

N-TVCS

(Engine Serial Number ; 489290 or lower)

E-TVCS

(Engine Serial Number ; 489291 or higher)

11900M10011

# Kubota D1005 Service Manual

**Kubota Tekkō Kabushiki Kaisha**



## **Kubota D1005 Service Manual:**

Thank you completely much for downloading **Kubota D1005 Service Manual**. Most likely you have knowledge that, people have seen numerous times for their favorite books in the manner of this Kubota D1005 Service Manual, but stop in the works in harmful downloads.

Rather than enjoying a fine PDF following a mug of coffee in the afternoon, instead they juggled taking into account some harmful virus inside their computer. **Kubota D1005 Service Manual** is easily reached in our digital library an online right of entry to it is set as public in view of that you can download it instantly. Our digital library saves in fused countries, allowing you to acquire the most less latency period to download any of our books in imitation of this one. Merely said, the Kubota D1005 Service Manual is universally compatible following any devices to read.

[http://www.armchairempire.com/results/scholarship/Download\\_PDFS/Johnson\\_115\\_Hp\\_Operation\\_Manual.pdf](http://www.armchairempire.com/results/scholarship/Download_PDFS/Johnson_115_Hp_Operation_Manual.pdf)

## **Table of Contents Kubota D1005 Service Manual**

1. Understanding the eBook Kubota D1005 Service Manual
  - The Rise of Digital Reading Kubota D1005 Service Manual
  - Advantages of eBooks Over Traditional Books
2. Identifying Kubota D1005 Service Manual
  - Exploring Different Genres
  - Considering Fiction vs. Non-Fiction
  - Determining Your Reading Goals
3. Choosing the Right eBook Platform
  - Popular eBook Platforms
  - Features to Look for in an Kubota D1005 Service Manual
  - User-Friendly Interface
4. Exploring eBook Recommendations from Kubota D1005 Service Manual
  - Personalized Recommendations
  - Kubota D1005 Service Manual User Reviews and Ratings

- Kubota D1005 Service Manual and Bestseller Lists
- 5. Accessing Kubota D1005 Service Manual Free and Paid eBooks
  - Kubota D1005 Service Manual Public Domain eBooks
  - Kubota D1005 Service Manual eBook Subscription Services
  - Kubota D1005 Service Manual Budget-Friendly Options
- 6. Navigating Kubota D1005 Service Manual eBook Formats
  - ePub, PDF, MOBI, and More
  - Kubota D1005 Service Manual Compatibility with Devices
  - Kubota D1005 Service Manual Enhanced eBook Features
- 7. Enhancing Your Reading Experience
  - Adjustable Fonts and Text Sizes of Kubota D1005 Service Manual
  - Highlighting and Note-Taking Kubota D1005 Service Manual
  - Interactive Elements Kubota D1005 Service Manual
- 8. Staying Engaged with Kubota D1005 Service Manual
  - Joining Online Reading Communities
  - Participating in Virtual Book Clubs
  - Following Authors and Publishers Kubota D1005 Service Manual
- 9. Balancing eBooks and Physical Books Kubota D1005 Service Manual
  - Benefits of a Digital Library
  - Creating a Diverse Reading Collection Kubota D1005 Service Manual
- 10. Overcoming Reading Challenges
  - Dealing with Digital Eye Strain
  - Minimizing Distractions
  - Managing Screen Time
- 11. Cultivating a Reading Routine Kubota D1005 Service Manual
  - Setting Reading Goals Kubota D1005 Service Manual
  - Carving Out Dedicated Reading Time
- 12. Sourcing Reliable Information of Kubota D1005 Service Manual
  - Fact-Checking eBook Content of Kubota D1005 Service Manual
  - Distinguishing Credible Sources

- 13. Promoting Lifelong Learning
  - Utilizing eBooks for Skill Development
  - Exploring Educational eBooks
- 14. Embracing eBook Trends
  - Integration of Multimedia Elements
  - Interactive and Gamified eBooks

**Kubota D1005 Service Manual Introduction**

Kubota D1005 Service Manual Offers over 60,000 free eBooks, including many classics that are in the public domain. Open Library: Provides access to over 1 million free eBooks, including classic literature and contemporary works. Kubota D1005 Service Manual Offers a vast collection of books, some of which are available for free as PDF downloads, particularly older books in the public domain. Kubota D1005 Service Manual : This website hosts a vast collection of scientific articles, books, and textbooks. While it operates in a legal gray area due to copyright issues, its a popular resource for finding various publications. Internet Archive for Kubota D1005 Service Manual : Has an extensive collection of digital content, including books, articles, videos, and more. It has a massive library of free downloadable books. Free-eBooks Kubota D1005 Service Manual Offers a diverse range of free eBooks across various genres. Kubota D1005 Service Manual Focuses mainly on educational books, textbooks, and business books. It offers free PDF downloads for educational purposes. Kubota D1005 Service Manual Provides a large selection of free eBooks in different genres, which are available for download in various formats, including PDF. Finding specific Kubota D1005 Service Manual, especially related to Kubota D1005 Service Manual, might be challenging as theyre often artistic creations rather than practical blueprints. However, you can explore the following steps to search for or create your own Online Searches: Look for websites, forums, or blogs dedicated to Kubota D1005 Service Manual, Sometimes enthusiasts share their designs or concepts in PDF format. Books and Magazines Some Kubota D1005 Service Manual books or magazines might include. Look for these in online stores or libraries. Remember that while Kubota D1005 Service Manual, sharing copyrighted material without permission is not legal. Always ensure youre either creating your own or obtaining them from legitimate sources that allow sharing and downloading. Library Check if your local library offers eBook lending services. Many libraries have digital catalogs where you can borrow Kubota D1005 Service Manual eBooks for free, including popular titles. Online Retailers: Websites like Amazon, Google Books, or Apple Books often sell eBooks. Sometimes, authors or publishers offer promotions or free periods for certain books. Authors Website Occasionally, authors provide excerpts or short stories for free on their websites. While this might not be the Kubota D1005 Service Manual full book , it can give you a taste of the authors writing style. Subscription Services Platforms like Kindle

Unlimited or Scribd offer subscription-based access to a wide range of Kubota D1005 Service Manual eBooks, including some popular titles.

### **FAQs About Kubota D1005 Service Manual Books**

How do I know which eBook platform is the best for me? Finding the best eBook platform depends on your reading preferences and device compatibility. Research different platforms, read user reviews, and explore their features before making a choice. Are free eBooks of good quality? Yes, many reputable platforms offer high-quality free eBooks, including classics and public domain works. However, make sure to verify the source to ensure the eBook credibility. Can I read eBooks without an eReader? Absolutely! Most eBook platforms offer webbased readers or mobile apps that allow you to read eBooks on your computer, tablet, or smartphone. How do I avoid digital eye strain while reading eBooks? To prevent digital eye strain, take regular breaks, adjust the font size and background color, and ensure proper lighting while reading eBooks. What the advantage of interactive eBooks? Interactive eBooks incorporate multimedia elements, quizzes, and activities, enhancing the reader engagement and providing a more immersive learning experience. Kubota D1005 Service Manual is one of the best book in our library for free trial. We provide copy of Kubota D1005 Service Manual in digital format, so the resources that you find are reliable. There are also many Ebooks of related with Kubota D1005 Service Manual. Where to download Kubota D1005 Service Manual online for free? Are you looking for Kubota D1005 Service Manual PDF? This is definitely going to save you time and cash in something you should think about. If you trying to find then search around for online. Without a doubt there are numerous these available and many of them have the freedom. However without doubt you receive whatever you purchase. An alternate way to get ideas is always to check another Kubota D1005 Service Manual. This method for see exactly what may be included and adopt these ideas to your book. This site will almost certainly help you save time and effort, money and stress. If you are looking for free books then you really should consider finding to assist you try this. Several of Kubota D1005 Service Manual are for sale to free while some are payable. If you arent sure if the books you would like to download works with for usage along with your computer, it is possible to download free trials. The free guides make it easy for someone to free access online library for download books to your device. You can get free download on free trial for lots of books categories. Our library is the biggest of these that have literally hundreds of thousands of different products categories represented. You will also see that there are specific sites catered to different product types or categories, brands or niches related with Kubota D1005 Service Manual. So depending on what exactly you are searching, you will be able to choose e books to suit your own need. Need to access completely for Campbell Biology Seventh Edition book? Access Ebook without any digging. And by having access to our ebook online or by storing it on your computer, you

have convenient answers with Kubota D1005 Service Manual To get started finding Kubota D1005 Service Manual, you are right to find our website which has a comprehensive collection of books online. Our library is the biggest of these that have literally hundreds of thousands of different products represented. You will also see that there are specific sites catered to different categories or niches related with Kubota D1005 Service Manual So depending on what exactly you are searching, you will be able to choose ebook to suit your own need. Thank you for reading Kubota D1005 Service Manual. Maybe you have knowledge that, people have search numerous times for their favorite readings like this Kubota D1005 Service Manual, but end up in harmful downloads. Rather than reading a good book with a cup of coffee in the afternoon, instead they juggled with some harmful bugs inside their laptop. Kubota D1005 Service Manual is available in our book collection an online access to it is set as public so you can download it instantly. Our digital library spans in multiple locations, allowing you to get the most less latency time to download any of our books like this one. Merely said, Kubota D1005 Service Manual is universally compatible with any devices to read.

### **Find Kubota D1005 Service Manual :**

**johnson 115 hp operation manual**

**john the apologist of his glory**

**john deere gx 155 manual**

**john deere gt 245 owners manual**

**john deere garden manual**

~~john sinclair folge h llenfahrt templerkutsche ebook~~

**john sinclair folge nacht feurgottes ebook**

**john deere repair manuals leaf blower**

*john legend all of me piano midi*

**john deere 1120 shop manual**

johnson 3hp 2 stroke manual

john deere repair manuals for 757

**john deere jd 450 c manual**

john deere x728 manual

~~johnny depp offizieller kalender 2016~~



**Kubota D1005 Service Manual :**

**blue 2009 hindi movie watch full hd movie online on** - Jul 02 2022

web blue action 2009 u a 13 share watchlist sagar and aarav s friendship hits rock bottom due to a volatile conflict however they reunite to find treasure in a sunken ship when sagar s brother sam is in grave danger from the mafia due to debt will they find the treasure show more cast akshay kumar akshay kumar sanjay dutt show less

*assamese movie bulu film broaches taboo issues of sexuality* - Dec 07 2022

web oct 10 2022 what is the film about bulu film is centred around the lives of three men pk prasanna and atul the movie shows how each of them faces challenges in running their homes as a nationwide

**bulu film 2022 bulu film 2022 user reviews imdb** - Jul 14 2023

web and speaking of accessibility bulu film is also an adult rated film with some content that might be sexually graphic but on a broader level it projects universal themes the role of economics in changing and shaping gender roles relations and perception social belongingness and solidarity individuality and identity liberty and autonomy

*blue film youtube* - Jun 01 2022

web la blue film è una società di produzione e distribuzione cinematografica e televisiva nasce a roma nel settembre del 2001 e realizza lungometraggi cortomet

**bulu film shows its a great time in assamese cinema eastmojo** - Mar 10 2023

web sep 15 2022 why we should watch bulu film bulu film reminded me of the italian neorealistic cinema made popular by vittorio de sica s bicycle thieves satyajit ray was immensely inspired and influenced by bicycle thieves and went on to make pather panchali which had similar qualities and traits that ray loved in bicycle thieves

*bulu film official trailer assamese movie news times of india* - Aug 15 2023

web sep 6 2022 bulu film official trailer sep 06 2022 01 20pm ist source youtube watch the official trailer from assamese movie bulu film starring pranami bora chanku niranjan nath apurba barman

*xxx star aabha paul flaunts her sexy body in viral photos and* - Dec 27 2021

web feb 8 2023 aabha paul looks sizzling hot in this multi colour bikini she dropped her video and photos on instagram and stunned her fans view this post on instagram a post shared by aabha paul aabhapaulofficial

**hot and sexy viral reels of xxx gandii baat star aabha paul that** - Apr 30 2022

web dec 7 2022 aabha paul xxx and gandii baat star is one of the hottest actresses who make her fans go crazy with her bold photos on social media dna web team dec 07 2022 10 48 pm ist xxx mastram and gandii baat actress aabha paul who is an active instagram user has been making headlines because of her sizzling hot social media posts

bulu film hot image help environment harvard edu - Mar 30 2022

web bulu film hot image as recognized adventure as competently as experience approximately lesson amusement as with ease as covenant can be gotten by just checking out a books bulu film hot image plus it is not directly done you could undertake even more roughly this life regarding the world

**blue photos photos hd images pictures stills first movie** - Apr 11 2023

web aug 26 2011 blue photos photo gallery check out blue photos movie latest images hd stills and download first look posters actor actress pictures shooting spot photos and more only on

sinema tarihine damga vurmuş İçinde en fazla cinsellik ve - Feb 09 2023

web 2 love 2015 2015 te cannes da prömiyer yapan film eleştirilenlerden olumlu not aldı ayrıca sinemalarda yayınlandığı dönem 3d olarak vizyona girdiği için çok konuşulmuştu 3 q 2011 2011 fransız filmi bolca çıplaklık ve cinsel ilişki sahnesi içeriyor hikaye bir süre önce babasını kaybetmiş ve yaşadığı cinsel

sexy and hot reels of xxx gandii baat star aabha paul go viral - Oct 05 2022

web dec 18 2022 sexy and hot reels of xxx gandii baat star aabha paul go viral aabha paul knows how to grab attention with her instagram posts in which she flaunts her sexy body in bold outfits dna web team dec 18 2022 10 28 pm ist xxx mastram and gandii baat star aabha paul has been making headlines because of her steamy social media posts

*10 500 bulu film images stock photos pictures royalty free images* - Jan 08 2023

web search from bulu film images stock photos pictures and royalty free images from istock find high quality stock photos that you won t find anywhere else

*100 000 best blue photos 100 free download pexels* - Feb 26 2022

web download and use 100 000 blue stock photos for free thousands of new images every day completely free to use high quality videos and images from pexels

*blutv de İzleyebileceğiniz en İyi 25 film Önerisi 2023* - Sep 04 2022

web apr 14 2020 owen wilson 5 the wolf of wall street gerçek bir hayat hikayesinden sinemaya aktarılan bu filmde jordan belfort isimli 24 yaşındaki genç adamın borsa sayesinde milyoner oluşunu izliyoruz wall street borsasında komisyonculuk yaparak ticarete başlayan jordan zamanla işin tüm inceliklerini öğrenerek oakmont şirketini kurar

*indian woman in blue film blue video film indiatimes com* - Nov 06 2022

web jun 18 2015 dubai s thriving travel tech industry powering the ever growing travel landscape in the city of luxury and business when is ganesh chaturthi in 2023 date and time for vinayaka chaturthi sthapana and visarjan how smart wearables could unlock the potential of smart cities like dubai

**blue film videos latest videos of blue film times of india** - Aug 03 2022

web nora fatehi reacts hilariously to ranbir kapoor s towel dropping scene from saawariya wonders if is it from a blue film

**bulu film hot image pdf pdf voto unéal edu** - Jan 28 2022

web bulu film hot image pdf upload arnold e williamson 4 20 downloaded from voto unéal edu br on september 3 2023 by arnold e williamson american equivalent of a young royal handsome charismatic genius his image is pure millennial marketing gold for the white house there s only one problem alex has a beef with the actual prince

**bulu film youtube** - May 12 2023

web may 7 2014 video

*bulu film movie showtimes review songs trailer posters* - Jun 13 2023

web sep 6 2022 bulu film movie review showtimes find details of bulu film along with its showtimes movie review trailer teaser full video songs showtimes and cast pranami bora chanku nath apurba barman

[anaesthesiology pain and intensive care medicine](#) - Jun 03 2022

web birsen karaman ayşe kubat Üzüm journal of İstanbul faculty of medicine j ist faculty med is an international open access peer reviewed and scientific publication of

[pain medicine board review 2nd edition 9780323775861](#) - Apr 13 2023

web aug 31 2021 offering nearly 900 board style questions answers and explanations written by dr anna woodbury and colleagues at emory medical school pain medicine board

*pain medicine board review 2nd edition elsevier* - Sep 18 2023

web aug 5 2021 offer details description offering nearly 900 board style questions answers and explanations written by dr anna woodbury and colleagues at emory medical

**ace the pain medicine exam statpearls** - Jun 15 2023

web we have 919 multiple choice 1st 2nd and 3rd order questions with four detailed teaching points linked to 332 pubmed indexed review articles related to the pain medicine

**interventional pain symposium oct 2022 ataşehir turkey** - Sep 25 2021

*abpmr pain medicine* - Aug 05 2022

web medical expert as a central role the one of medical expert states that all anaesthesiologists must be familiar with anaesthetic and medical technology general

**pain medicine board review google books** - Dec 09 2022

web regenerative pain medicine pharmacology complementary medicine alternative therapies head and neck pain about this course 199 99 first payment 99 99

**pain medicine recertification moc boardvitals** - Sep 06 2022

web istanbul university pain medicine connect with experts in your field join researchgate to contact this researcher and connect with your scientific community about

**pain medicine board review 9780323775861 us elsevier health** - Jul 16 2023

web description offering nearly 900 board style questions answers and explanations written by dr anna woodbury and colleagues at emory medical school pain medicine board

**pain medicine board review pain management** - Nov 08 2022

web get ready to pass the pain medicine maintenance of certification moc exam with boardvitals gain access to more than 750 pain medicine moc board review practice

10 best clinics for pain management in istanbul 2023 prices - Jan 30 2022

web anestezi bölümü taban puanları ve başarı sıralamaları ile ilgili merak edilenlere sayfamızdan ulaşabilirsiniz Ösym ve yÖk atlas verileri ile 2023 anestezi bölümü taban puanları ve

**interventional pain istanbul** - May 02 2022

web dec 1 2022 pain medicine american board of psychiatry and neurology home taking a subspecialty certification examination current pain medicine deadlines fees and

**pain medicine board review 2nd edition elsevier health** - Mar 12 2023

web aug 31 2021 description offering nearly 900 board style questions answers and explanations written by dr anna woodbury and colleagues at emory medical school

**pain medicine american board of psychiatry and neurology** - Feb 28 2022

web 1 benjamin franklin pain management centre benjamin franklin charite university medicine hindenburgdamm 30 12200 berlin germany tel 49 30 450 551 622 fax

*anestezi bölümü taban puanları 2023 habertürk* - Nov 27 2021

web 1 conference interventional pain symposium 21 23 oct 2022 new date reminder acibadem university case ataşehir turkey get directions attended request a booth

*painexam pain management board review and refresher course* - Oct 07 2022

web because pain medicine is recognized as an interdisciplinary specialty the abpmr cosponsors subspecialty certification in pain medicine along with the american board of

**pain medicine board review oxford academic** - Aug 17 2023

web abstract pain medicine is a comprehensive guide for preparing for the american board of medical specialties abms certification or recertification in pain medicine and also for

**work rehabilitation pain medicine board review oxford** - May 14 2023

web work rehabilitation robert yang doi org 10 1093 med 9780190217518 003 0015 pages 202 214 published march 2017  
split view cite permissions share abstract

[efic fellowship pain clinics european pain federation](#) - Dec 29 2021

web oct 15 2023 gill rapping i lay broken on the kitchen floor i clawed at the laminate pain wandered my body an uninvited  
guest bones of a home where the devil could

[pain medicine board review by anna woodbury md goodreads](#) - Jan 10 2023

web oxford university press 2017 medical 424 pages pain medicine board review is a comprehensive guide for preparing for  
the american board of medical specialties

**resources for pain medicine board preparation** - Feb 11 2023

web sep 14 2021 offering nearly 900 board style questions answers and explanations written by dr anna woodbury and  
colleagues at emory medical school pain medicine board

[journal of istanbul faculty of medicine](#) - Apr 01 2022

web recovery time varies find the best clinics for pain management in istanbul with mymeditravel you can browse 1 facilities  
offering pain management procedures in

**serdar erdine chair istanbul university istanbul pain** - Jul 04 2022

web it is again a great pleasure and honor for us to welcome you all to the 6 th interventional pain istanbul pain symposium  
and cadaver workshop endorsed by world institute of

[welsh musician ren s new album sick boi is rooted in medical](#) - Oct 27 2021

**nanaquë acervo hardcover kew and willow books** - Sep 15 2023

web the acervo series spreads the aesthetic antique heritage through beautifully illustrated children s books nanaquë offers a  
look into the culture of rock art the images are re created using the same techniques and symbolism

[nanaquë acervo spanish edition by rocío martínez goodreads](#) - Oct 16 2023

web jun 1 2015 nanaquë acervo rocío martínez 3 67 3 ratings1 review the acervo series spreads the aesthetic antique  
heritage through beautifully illustrated children s books nanaquë offers a look into the culture of rock art the images are re  
created using the same techniques and symbolism

[n cho serge herve akpe acconiers port autonome d abidjan](#) - Apr 29 2022

web view n 39 cho serge herve akpe s profile on linkedin the world s largest professional community n 39 cho serge herve  
has 1 job listed on their profile see the complete profile on linkedin and discover n 39 cho serge herve s connections and

**nanaquë acervo hardcover print a bookstore** - Feb 08 2023

web the acervo series spreads the aesthetic antique heritage through beautifully illustrated children s books nanaquë offers a look into the culture of rock art the images are re created using the same techniques and symbolism

*nanaquë acervo martínez rocío amazon co uk books* - Mar 09 2023

web select the department you want to search in

**nanaquë rocío martínez 9788415357469 blackwell s** - Jun 12 2023

web jun 1 2015 the acervo series spreads the aesthetic antique heritage through beautifully illustrated children s books

nanaquë offers a look into the culture of rock art t

**nanaquë ½ by rocío martínez hardcover barnes noble** - Jul 13 2023

web jun 1 2015 the acervo series spreads the aesthetic antique heritage through beautifully illustrated children s books

nanaquë offers a look into the culture of rock art the images are re created using the same techniques and symbolism

nanaquë is out with his tribe collecting fruit

nanaquë acervo spanish edition hardcover abebooks - Oct 04 2022

web abebooks com nanaquë acervo spanish edition 9788415357469 by martínez rocío and a great selection of similar new

used and collectible books available now at great prices nanaquë acervo spanish edition martínez rocío 9788415357469

abebooks

**akufu addo nana b in trouble leak tape npp chairman youtube** - Mar 29 2022

web jul 10 2023 subscribe for more videos subscribe youtube com channel uctqvdqj3 75gnxakqvzxl0g sub confirmationgh

600 000 was to be given to voters in

**nanaquë by rocío martínez pubmatch** - Jan 07 2023

web the acervo series spreads the aesthetic antique heritage through beautifully illustrated children s books nanaquë offers a look into the culture of rock art the images are re created using the same techniques and symbolism

*jacques aymeric nsangou i tatti harvard university* - Jul 01 2022

web jacques aymeric studied at the university of yaoundé i in cameroon beginning in 2009 he conducted archaeological and historical research on the fortifications of fouban in cameroon before moving to switzerland in 2015 he worked as a cultural guide at the national museum of cameroon a recipient of the swiss confederation excellence

**nanaque rocío martinez alibrate** - Sep 03 2022

web sinopsis de nanaque la colección acervo continúa difundiendo el patrimonio estético europeo con un álbum ilustrado infantil que en esta ocasión ofrece la visión del mundo de las culturas rupestres

**is jose cuervo 100 agave answered 2023 updated liquor** - May 31 2022

web aug 12 2022 yes plenty of jose cuervo variants use 100 agave however not all expressions use pure blue agave there

are ten jose cuervo expressions but two expressions are mixto which means they only contain 51 agave only the jose cuervo especial gold and silver variants are mixto by law tequilas must be made from 51

**nanaque acervo martinez rocio amazon in books** - Nov 05 2022

web select the department you want to search in

*nanaquë independent publishers group* - May 11 2023

web the acervo series spreads the aesthetic antique heritage through beautifully illustrated children s books nanaquë offers a look into the culture of rock art the images are re created using the same techniques and symbolism

*nanaquë acervo hardcover a likely story bookstore* - Dec 06 2022

web the acervo series spreads the aesthetic antique heritage through beautifully illustrated children s books nanaquë offers a look into the culture of rock art the images are re created using the same techniques and symbolism

*nanaquë acervo spanish edition martínez rocío* - Aug 02 2022

web jun 1 2015 nanaquë acervo spanish edition martínez rocío on amazon com free shipping on qualifying offers nanaquë acervo spanish edition

*nanaque pd martinez rocio libro en papel* - Apr 10 2023

web nanaque pd martinez rocio 338 00 la colección acervo continúa difundiendo el patrimonio estético europeo con un álbum ilustrado infantil que en esta ocasi

*anne clavero nash case preparation physician linkedin* - Feb 25 2022

web it was a privilege to be part of the advanced adult emergency airway management course 2022 it was a fruitful and enjoyable weekend thanks to zul

[nanaquë acervo hardcover yankee bookshop](#) - Aug 14 2023

web the acervo series spreads the aesthetic antique heritage through beautifully illustrated children s books nanaquë offers a look into the culture of rock art the images are re created using the same techniques and symbolism