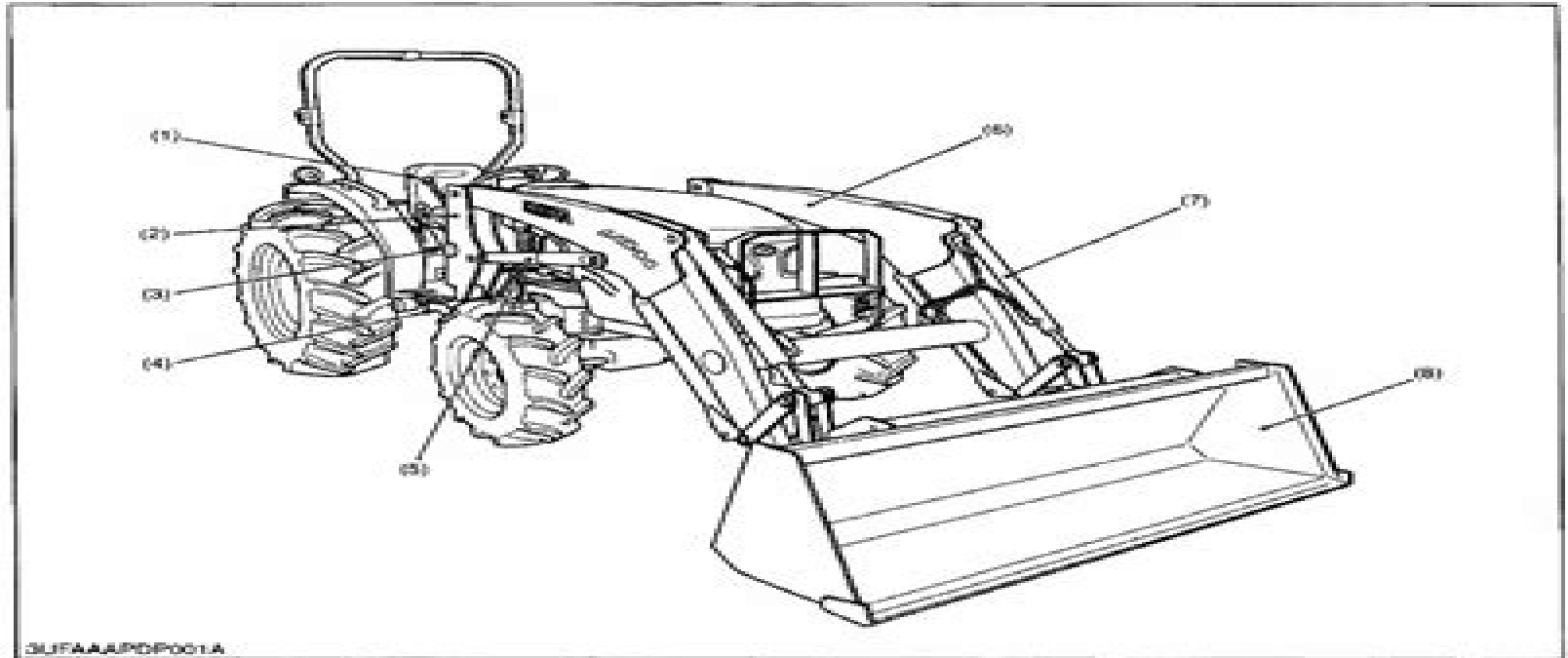


LOADER TERMINOLOGY



3L1FAAURDPO01A

(1) Hydraulic Control Lever
(2) Side Frame

(3) Mounting Pin
(4) Main Frame

(5) Boom Cylinder
(6) Boom

(7) Bucket Cylinder
(8) Bucket

Kubota La844 Front End Loader Workshop Service Manual

Robert R. Redfield



Kubota La844 Front End Loader Workshop Service Manual:

Thank you unquestionably much for downloading **Kubota La844 Front End Loader Workshop Service Manual**. Most likely you have knowledge that, people have seen numerous times for their favorite books bearing in mind this Kubota La844 Front End Loader Workshop Service Manual, but stop happening in harmful downloads.

Rather than enjoying a fine book later than a cup of coffee in the afternoon, otherwise they juggled past some harmful virus inside their computer. **Kubota La844 Front End Loader Workshop Service Manual** is handy in our digital library an online right of entry to it is set as public correspondingly you can download it instantly. Our digital library saves in merged countries, allowing you to acquire the most less latency period to download any of our books like this one. Merely said, the Kubota La844 Front End Loader Workshop Service Manual is universally compatible in the manner of any devices to read.

http://www.armchairempire.com/public/Resources/index.jsp/Mb_Audio_30_Owners_Manual.pdf

Table of Contents Kubota La844 Front End Loader Workshop Service Manual

1. Understanding the eBook Kubota La844 Front End Loader Workshop Service Manual
 - The Rise of Digital Reading Kubota La844 Front End Loader Workshop Service Manual
 - Advantages of eBooks Over Traditional Books
2. Identifying Kubota La844 Front End Loader Workshop Service Manual
 - Exploring Different Genres
 - Considering Fiction vs. Non-Fiction
 - Determining Your Reading Goals
3. Choosing the Right eBook Platform
 - Popular eBook Platforms
 - Features to Look for in a Kubota La844 Front End Loader Workshop Service Manual
 - User-Friendly Interface
4. Exploring eBook Recommendations from Kubota La844 Front End Loader Workshop Service Manual
 - Personalized Recommendations
 - Kubota La844 Front End Loader Workshop Service Manual User Reviews and Ratings

- Kubota La844 Front End Loader Workshop Service Manual and Bestseller Lists
- 5. Accessing Kubota La844 Front End Loader Workshop Service Manual Free and Paid eBooks
 - Kubota La844 Front End Loader Workshop Service Manual Public Domain eBooks
 - Kubota La844 Front End Loader Workshop Service Manual eBook Subscription Services
 - Kubota La844 Front End Loader Workshop Service Manual Budget-Friendly Options
- 6. Navigating Kubota La844 Front End Loader Workshop Service Manual eBook Formats
 - ePub, PDF, MOBI, and More
 - Kubota La844 Front End Loader Workshop Service Manual Compatibility with Devices
 - Kubota La844 Front End Loader Workshop Service Manual Enhanced eBook Features
- 7. Enhancing Your Reading Experience
 - Adjustable Fonts and Text Sizes of Kubota La844 Front End Loader Workshop Service Manual
 - Highlighting and Note-Taking Kubota La844 Front End Loader Workshop Service Manual
 - Interactive Elements Kubota La844 Front End Loader Workshop Service Manual
- 8. Staying Engaged with Kubota La844 Front End Loader Workshop Service Manual
 - Joining Online Reading Communities
 - Participating in Virtual Book Clubs
 - Following Authors and Publishers Kubota La844 Front End Loader Workshop Service Manual
- 9. Balancing eBooks and Physical Books Kubota La844 Front End Loader Workshop Service Manual
 - Benefits of a Digital Library
 - Creating a Diverse Reading Collection Kubota La844 Front End Loader Workshop Service Manual
- 10. Overcoming Reading Challenges
 - Dealing with Digital Eye Strain
 - Minimizing Distractions
 - Managing Screen Time
- 11. Cultivating a Reading Routine Kubota La844 Front End Loader Workshop Service Manual
 - Setting Reading Goals Kubota La844 Front End Loader Workshop Service Manual
 - Carving Out Dedicated Reading Time
- 12. Sourcing Reliable Information of Kubota La844 Front End Loader Workshop Service Manual
 - Fact-Checking eBook Content of Kubota La844 Front End Loader Workshop Service Manual
 - Distinguishing Credible Sources

13. Promoting Lifelong Learning
 - Utilizing eBooks for Skill Development
 - Exploring Educational eBooks
14. Embracing eBook Trends
 - Integration of Multimedia Elements
 - Interactive and Gamified eBooks

Kubota La844 Front End Loader Workshop Service Manual Introduction

Free PDF Books and Manuals for Download: Unlocking Knowledge at Your Fingertips In today's fast-paced digital age, obtaining valuable knowledge has become easier than ever. Thanks to the internet, a vast array of books and manuals are now available for free download in PDF format. Whether you are a student, professional, or simply an avid reader, this treasure trove of downloadable resources offers a wealth of information, conveniently accessible anytime, anywhere. The advent of online libraries and platforms dedicated to sharing knowledge has revolutionized the way we consume information. No longer confined to physical libraries or bookstores, readers can now access an extensive collection of digital books and manuals with just a few clicks. These resources, available in PDF, Microsoft Word, and PowerPoint formats, cater to a wide range of interests, including literature, technology, science, history, and much more. One notable platform where you can explore and download free Kubota La844 Front End Loader Workshop Service Manual PDF books and manuals is the internet's largest free library. Hosted online, this catalog compiles a vast assortment of documents, making it a veritable goldmine of knowledge. With its easy-to-use website interface and customizable PDF generator, this platform offers a user-friendly experience, allowing individuals to effortlessly navigate and access the information they seek. The availability of free PDF books and manuals on this platform demonstrates its commitment to democratizing education and empowering individuals with the tools needed to succeed in their chosen fields. It allows anyone, regardless of their background or financial limitations, to expand their horizons and gain insights from experts in various disciplines. One of the most significant advantages of downloading PDF books and manuals lies in their portability. Unlike physical copies, digital books can be stored and carried on a single device, such as a tablet or smartphone, saving valuable space and weight. This convenience makes it possible for readers to have their entire library at their fingertips, whether they are commuting, traveling, or simply enjoying a lazy afternoon at home. Additionally, digital files are easily searchable, enabling readers to locate specific information within seconds. With a few keystrokes, users can search for keywords, topics, or phrases, making research and finding relevant information a breeze. This efficiency saves time and effort, streamlining the learning process and allowing individuals to focus on extracting the information they need. Furthermore, the availability of free PDF books

and manuals fosters a culture of continuous learning. By removing financial barriers, more people can access educational resources and pursue lifelong learning, contributing to personal growth and professional development. This democratization of knowledge promotes intellectual curiosity and empowers individuals to become lifelong learners, promoting progress and innovation in various fields. It is worth noting that while accessing free Kubota La844 Front End Loader Workshop Service Manual PDF books and manuals is convenient and cost-effective, it is vital to respect copyright laws and intellectual property rights. Platforms offering free downloads often operate within legal boundaries, ensuring that the materials they provide are either in the public domain or authorized for distribution. By adhering to copyright laws, users can enjoy the benefits of free access to knowledge while supporting the authors and publishers who make these resources available. In conclusion, the availability of Kubota La844 Front End Loader Workshop Service Manual free PDF books and manuals for download has revolutionized the way we access and consume knowledge. With just a few clicks, individuals can explore a vast collection of resources across different disciplines, all free of charge. This accessibility empowers individuals to become lifelong learners, contributing to personal growth, professional development, and the advancement of society as a whole. So why not unlock a world of knowledge today? Start exploring the vast sea of free PDF books and manuals waiting to be discovered right at your fingertips.

FAQs About Kubota La844 Front End Loader Workshop Service Manual Books

1. Where can I buy Kubota La844 Front End Loader Workshop Service Manual books? Bookstores: Physical bookstores like Barnes & Noble, Waterstones, and independent local stores. Online Retailers: Amazon, Book Depository, and various online bookstores offer a wide range of books in physical and digital formats.
2. What are the different book formats available? Hardcover: Sturdy and durable, usually more expensive. Paperback: Cheaper, lighter, and more portable than hardcovers. E-books: Digital books available for e-readers like Kindle or software like Apple Books, Kindle, and Google Play Books.
3. How do I choose a Kubota La844 Front End Loader Workshop Service Manual book to read? Genres: Consider the genre you enjoy (fiction, non-fiction, mystery, sci-fi, etc.). Recommendations: Ask friends, join book clubs, or explore online reviews and recommendations. Author: If you like a particular author, you might enjoy more of their work.
4. How do I take care of Kubota La844 Front End Loader Workshop Service Manual books? Storage: Keep them away from direct sunlight and in a dry environment. Handling: Avoid folding pages, use bookmarks, and handle them with clean hands. Cleaning: Gently dust the covers and pages occasionally.

5. Can I borrow books without buying them? Public Libraries: Local libraries offer a wide range of books for borrowing. Book Swaps: Community book exchanges or online platforms where people exchange books.
6. How can I track my reading progress or manage my book collection? Book Tracking Apps: Goodreads, LibraryThing, and Book Catalogue are popular apps for tracking your reading progress and managing book collections. Spreadsheets: You can create your own spreadsheet to track books read, ratings, and other details.
7. What are Kubota La844 Front End Loader Workshop Service Manual audiobooks, and where can I find them? Audiobooks: Audio recordings of books, perfect for listening while commuting or multitasking. Platforms: Audible, LibriVox, and Google Play Books offer a wide selection of audiobooks.
8. How do I support authors or the book industry? Buy Books: Purchase books from authors or independent bookstores. Reviews: Leave reviews on platforms like Goodreads or Amazon. Promotion: Share your favorite books on social media or recommend them to friends.
9. Are there book clubs or reading communities I can join? Local Clubs: Check for local book clubs in libraries or community centers. Online Communities: Platforms like Goodreads have virtual book clubs and discussion groups.
10. Can I read Kubota La844 Front End Loader Workshop Service Manual books for free? Public Domain Books: Many classic books are available for free as they're in the public domain. Free E-books: Some websites offer free e-books legally, like Project Gutenberg or Open Library.

Find Kubota La844 Front End Loader Workshop Service Manual :

~~mb audio 30 owners manual~~

mazda premacy workshop manual free

~~mbti manual test~~

mbk spirit manual

mcdonalds crew training manual australia

mcculloch 2025 manual trimmer

~~meculloch 120 manual~~

mazda mx5 mx 5 1993 repair service manual

mbti manual

mccormick b 414 manual

mcdougal littell writers craft 10th grade blue teacher edition 1992 isbn 0812370058

mazes and labyrinths mazes and labyrinths

mazda rx8 owners manual uk

mazda rx7 replacement parts manual 1979 1980

mccormick international 420 baler service manual

Kubota La844 Front End Loader Workshop Service Manual :

interchange 3 4th edition workbook answers units 1 5 youtube - Jun 21 2022

web interchange third edition is a four level series for adult and young adult learners of english from the beginning to the high intermediate level interchange third edition

cambridge university press assessment adult young adult - Nov 14 2021

pdf cambridge new interchange 3 workbook dokumen tips - Dec 16 2021

interchange 3 teacher book pdf scribd - May 01 2023

web the interchange third edition companion to the toeic test provides students with eight short toeic style tests these allow students practical and manageable

interchange third edition teacher s edition revision - Jun 02 2023

web interchange third edition is a four level series for adult and young adult learners of english from the beginning to the high intermediate level the interchange third

interchange 3rd edition esl textbooks cambridge - Sep 24 2022

web jun 21 2019 jack c richards jonathan hull susan proctor 5th edition cambridge university press 2017 level b1 teach with confidence using the world s favorite

interchange full contact intro cambridge university press - Jul 23 2022

web jan 1 2010 in this part the results of the evaluations done by the raters evaluators on design matters are presented the results of design for the interchange 3 rd edition

an in depth evaluation of interchange series 3rd edition - Mar 19 2022

web browse shop and download adult young adult teaching and learning resources from cambridge english

interchange third edition teacher s edition revision - Jul 03 2023

web oct 3 2005 cambridge university press oct 3 2005 foreign language study 100 pages interchange third edition is a fully revised edition of new interchange the

interchange workbook 2 volume 2 google books - Feb 27 2023

web mar 20 2006 the interchange third edition full contact edition includes five key components of interchange intro all under one cover the student s book the video

interchange third edition teacher s edition revision prepared by - Aug 04 2023

web interchange 3 teacher book or read book online for free interchante third edition cambridge interchante third edition cambridge open navigation menu close

interchange teacher s resource book 3 volume 3 google books - Mar 31 2023

web feb 7 2005 jack c richards cambridge university press feb 7 2005 foreign language study 260 pages interchange third edition is a four level series for adult

interchange intro teacher s edition google books - Nov 26 2022

web description interchange third edition is a fully revised edition of new interchange the world s most successful series for adult and young adult learners of north american

interchange third edition full contact intro a google books - Oct 26 2022

web mar 4 2018 1 8k views 5 years ago the video includes explaining interchange 3 workbook answers units 1 5 all rights reserved to

cambridge university press assessment resources - Aug 24 2022

web frequently asked questions what s new about interchange fourth edition the biggest change to interchange fourth edition is the range of new digital components available

cambridgeinterchangethirdeditionanswer 2022 dev sfcg - Jan 17 2022

interchange third edition teacher s edition revision prepared by - Sep 05 2023

web interchange third edition teacher s edition 3 has been developed from new interchange teacher s edition 3 first published by cambridge university press in

interchange 4th edition faqs cambridge university press - Apr 19 2022

web text of cambridge new interchange 3 workbook page 1 page 2 page 3 page 4 page 5 page 6 page 7 page 8 page 9 page 10 page 11 page 12 page 13 page 14 page

interchange third edition teacher s edition revision prepared by kate - Oct 06 2023

web interchange third edition intro teacher s edition has been developed from new interchange intro teacher s edition first published by cambridge university press in

interchange 3 assessment tests and quizzes sciarium - May 21 2022

web answer interchange third edition full contact level 2 part 4 units 13 16 interchange third edition full contact intro part 1 units 1 4 interchange teacher s edition 2

interchange adult young adult cambridge - Dec 28 2022

web intro unit 15 ex 2 conversation track 43 students book student arcade self study audio interchange 3rd edition intro unit 15 ex 6 conversation track 44 students book

cambridge university press 978 0 521 74135 4 interchange - Jan 29 2023

web pricing key features of interchange 3rd edition a proven multi skills syllabus a focus on accuracy and fluency contemporary real world topics natural conversational

cambridge interchange third edition intro tests esource svb - Feb 15 2022

canada impressions wall calendar 2020 din a4 land pdf - Jun 04 2023

web canada impressions wall calendar 2020 din a4 land downloaded from store spiralny com by guest strickland li bulletin of the atomic scientists aegitas the idea of the fingerprint sourcebook originated during a meeting in april 2002 individuals representing the fingerprint academic and scientific communities met in chicago

canada impressions wall calendar 2020 din a4 land wrbb neu - May 23 2022

web as this canada impressions wall calendar 2020 din a4 land it ends going on monster one of the favored books canada impressions wall calendar 2020 din a4 land collections that we have this is why you remain in the best website to see the incredible book to have canada impressions wall calendar 2020 din a4 land 2021 04 15

stanzer e canada impressions wall calendar 2020 din a4 la - Jul 05 2023

web stanzer e canada impressions wall calendar 2020 din a4 la the second largest country in the world stanzer elisabeth amazon pl książki

canada impressions by rolf dietz wall calendar 2024 din a4 - Apr 02 2023

web canada impressions by rolf dietz wall calendar 2024 din a4 landscape calvendo 12 month wall calendar dietz rolf amazon com au stationery office products

canada impressions wall calendar 2020 din a4 land - Jun 23 2022

web feb 27 2023 canada impressions wall calendar 2020 din a4 land when somebody should go to the ebook stores search opening by shop shelf by shelf it is essentially problematic canada impressions wall calendar 2020 din a4 land consequently simple agape agape william gaddis fridsma 2019 03 14 adobe acrobat dc

canada impressions wall calendar 2019 din a4 land pdf - Oct 08 2023

web canada impressions wall calendar 2019 din a4 land pdf decoding canada impressions wall calendar 2019 din a4 land pdf

revealing the captivating potential of verbal expression in a time characterized by interconnectedness and an insatiable thirst for knowledge the captivating potential of verbal expression has emerged as a formidable

[canada impressions wall calendar 2020 din a4 land copy](#) - Oct 28 2022

web sep 22 2023 canada impressions wall calendar 2020 din a4 land 1 7 downloaded from uniport edu ng on september 22 2023 by guest canada impressions wall calendar 2020 din a4 land canada calendar 2020 golden print 2019 09 19 fill your upcoming 2020 with 16 months of canada all year round this beautiful calendar contains 16

[canada impressions wall calendar 2019 din a4 land kate](#) - May 03 2023

web canada impressions wall calendar 2019 din a4 land but end up in harmful downloads rather than reading a good book with a cup of tea in the afternoon instead they cope with some infectious virus inside their laptop canada impressions wall calendar 2019 din a4 land is available in our book collection an online access to it is set as public

[wall calendars promotional products by 4imprint](#) - Apr 21 2022

web prices from 0 97 to 1 77 this promotion has a great vintage order as few as 100 ships within 10 days item c129309 1 2 3 wall calendars promotional products by 4imprint

[canada impressions wall calendar 2020 din a4 land full pdf](#) - Sep 07 2023

web 4 canada impressions wall calendar 2020 din a4 land 2022 10 27 compilé des récits écrits par des immigrants et acquis des photographies des documents et d autres objets emblématiques de l histoire du quai 21 ce livre est le produit de ce long et patient travail de collecte il nous révèle l histoire de cet immense hangar

canada impressions wall calendar 2024 din a4 landscape - Jul 25 2022

web jun 12 2023 canada impressions wall calendar 2024 din a4 landscape calvendo 12 month wall calendar amazon ca office products

canada impressions wall calendar 2020 din a4 land - Mar 21 2022

web feb 28 2023 canada impressions wall calendar 2020 din a4 land 1 14 downloaded from uniport edu ng on february 28 2023 by guest canada impressions wall calendar 2020 din a4 land right here we have countless books canada impressions wall calendar 2020 din a4 land and collections to check out

[canada impressions wall calendar 2019 din a3 landscape](#) - Jan 31 2023

web compre online canada impressions wall calendar 2019 din a3 landscape the second largest country in the world monthly calendar 14 pages de stanzer elisabeth na amazon frete grÁtis em milhares de produtos com o amazon prime

canada impressions wall calendar 2019 din a4 land - Mar 01 2023

web canada impressions wall calendar 2019 din a4 land 3 3 forensic science disciplines including upgrading of systems and organizational structures better training widespread adoption of uniform and enforceable best practices and mandatory

certification and accreditation programs while this book provides an essential call to action for

canada impressions wall calendar 2024 din a4 landscape - Dec 30 2022

web great prices on your favourite office brands plus free delivery and returns on eligible orders

promotional wall calendars at 4imprint wall calendars - Aug 26 2022

web wall calendars custom wall calendars are the classic promotional tool that works hard every day just like you your business logo and contact information are in view and ready when your customers and prospects need you choose from dozens of themed imprinted wall calendar designs including cars landscapes wildlife pets and specialty topics

créez votre calendrier photo a4 pour 2023 myposter - Sep 26 2022

web faites imprimer votre calendrier mural a4 avec vos propres photos calendrier photo format din a4 modèles créatifs commandez le en ligne dès maintenant

canada impressions wall calendar 2024 din a4 landscape - Aug 06 2023

web canada impressions wall calendar 2024 din a4 landscape calvendo 12 month wall calendar von elisabeth stanzer

canada impressions wall calendar 2019 din a3 land pdf - Feb 17 2022

web apr 21 2023 canada impressions wall calendar 2019 din a3 land 2 13 downloaded from uniport edu ng on april 21 2023 by guest human nature interface complications of cirrhosis andrew p keaveny 2015 04 08 this volume presents a concise yet comprehensive overview on all facets concerning the complications of cirrhosis structured

kanada impressionen wall calendar 2024 din a4 landscape - Nov 28 2022

web jun 13 2023 amazon com kanada impressionen wall calendar 2024 din a4 landscape calvendo 12 month wall calendar office products

se lei si nascondesse un giallo di kate wise libro 4 - Oct 10 2022

web jul 16 2019 se lei si nascondesse un giallo di kate wise è il 4 volume di una nuova serie di thriller psicologici dell autore di best seller blake pierce il cui primo libro il

se lei si nascondesse un giallo di kate wise libro 4 - Nov 11 2022

web sep 4 2019 riusciranno a ritrovare le ragazze in tempo e kate perseguitata dal suo passato ha ancora la capacità di risolvere casi come un tempo thriller pieno di azione

se lei si nascondesse un giallo di kate wise libro 4 apple - May 17 2023

web jul 16 2019 se lei si nascondesse un giallo di kate wise è il 4 volume di una nuova serie di thriller psicologici dell autore di best seller blake pierce il cui primo libro il

se lei si nascondesse un giallo di kate wise libro 4 deezer - Jan 13 2023

web blake pierce album 2019 194 songs

se lei vedesse un giallo di kate wise libro 2 z library - Jul 07 2022

web riepilogo di se lei vedesse un giallo di kate wise libro 2 un capolavoro del genere thriller e giallo l autore ha sviluppato e descritto così bene il lato psicologico dei

se lei si nascondesse un giallo di kate wise libr blake pierce - Aug 08 2022

web recognizing the quirk ways to get this ebook se lei si nascondesse un giallo di kate wise libr is additionally useful you have remained in right site to begin getting this info

se lei si nascondesse un giallo di kate wise libro 4 - Jun 18 2023

web se lei si nascondesse un giallo di kate wise è il 4 volume di una nuova serie di thriller psicologici dell autore di best seller blake pierce il cui primo libro il killer della

se lei si nascondesse un giallo di kate wise libro 4 - Mar 15 2023

web bir blake pierce eseri olan se lei si nascondesse un giallo di kate wise libro 4 e kitap olarak en cazip fiyat ile d r de keşfetmek için hemen tıklayınız

se lei si nascondesse un giallo di kate wise libr jbedssofa - Feb 02 2022

web 2 se lei si nascondesse un giallo di kate wise libr 2020 07 28 se lei si nascondesse un giallo di kate wise libr 2020 07 28 farmer gross l ombra del

se lei si nascondesse un giallo di kate wise libro 4 italian - Jul 19 2023

web jul 16 2019 si è trattato di un omicidio casuale del lavoro di un serial killer riusciranno a ritrovare le ragazze in tempo e kate perseguitata dal suo passato ha ancora la

se lei si nascondesse un giallo di kate wise libro 4 google - Dec 12 2022

web se lei si nascondesse un giallo di kate wise libro 4 audiobook written by blake pierce get instant access to all your favorite books no monthly commitment listen

se lei vedesse un giallo di kate wise libro 2 io leggo tu leggi - Jan 01 2022

web se lei vedesse un giallo di kate wise libro 2 blake pierce un capolavoro del genere thriller e giallo l autore ha sviluppato e descritto così bene il lato psicologico dei

se lei si nascondesse un giallo di kate wise libr pdf - May 05 2022

web se lei si nascondesse un giallo di kate wise libr una ragazza dimenticata un thriller mozzafiato con l agente dell fbi ella dark libro 7 si ella se occultara un misterio

se lei si nascondesse un giallo di kate wise libro 4 - Mar 03 2022

web share your videos with friends family and the world

se lei si nascondesse kate wise 4 by blake pierce goodreads - Aug 20 2023

web apr 15 2019 se lei si nascondesse un giallo di kate wise è il 4 volume di una nuova serie di thriller psicologici dell autore di best seller blake pierce il cui primo libro il

se lei si nascondesse un giallo di kate wise libr 2022 smtp - Apr 04 2022

web 4 se lei si nascondesse un giallo di kate wise libr 2020 04 08 l avvento di un leggendario guerriero profetizzato dalle pergamene ritrovate sul sacro monte ankor per

se lei si nascondesse un giallo di kate wise youtube - Sep 09 2022

web provided to youtube by bookwirecapitolo 18 5 se lei si nascondesse un giallo di kate wise libro 4 blake piercese lei si nascondesse un giallo di kat

se lei si nascondesse overdrive - Apr 16 2023

web sep 4 2019 se lei si nascondesse un giallo di kate wise è il 4 volume di una nuova serie di thriller psicologici dell autore di best seller blake pierce il cui primo libro il

se lei si nascondesse un giallo di kate wise libro 4 ebook - Feb 14 2023

web un capolavoro del thriller e del genere giallo l autore ha sviluppato e descritto così bene se lei si nascondesse un giallo di kate wise libro 4 ebook blake pierce

se lei si nascondesse un giallo di kate wise libr download - Jun 06 2022

web marea della morte e l ora della morte se lei temesse un giallo di kate wise libro 6 mar 04 2023 un capolavoro del genere thriller e giallo l autore ha