



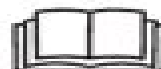
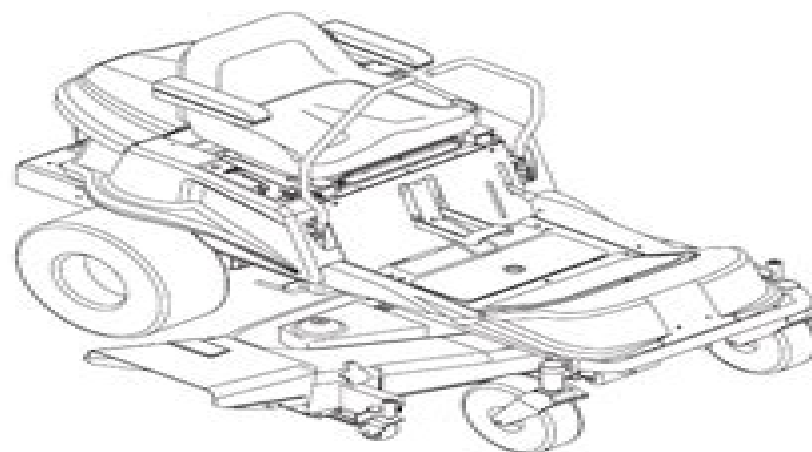
ZT Zero Turn Mower

Owner/Operator Manual

Models

915015 - 1742 ZT

915016 - 2048 ZT



EN ENGLISH
FR FRANÇAIS
ES ESPAÑOL

Gravely Zt 2048 Manual

Wenbin Ji



Gravely Zt 2048 Manual:

Thank you unconditionally much for downloading **Gravely Zt 2048 Manual**. Maybe you have knowledge that, people have seen numerous times for their favorite books taking into account this Gravely Zt 2048 Manual, but end up in harmful downloads.

Rather than enjoying a good PDF with a cup of coffee in the afternoon, then again they juggled like some harmful virus inside their computer. **Gravely Zt 2048 Manual** is simple in our digital library an online admission to it is set as public hence you can download it instantly. Our digital library saves in combination countries, allowing you to get the most less latency time to download any of our books with this one. Merely said, the Gravely Zt 2048 Manual is universally compatible bearing in mind any devices to read.

http://www.armchairempire.com/data/browse/index.jsp/machine_learning_in_document_analysis_and_recognition_studies_in_computational_intelligence.pdf

Table of Contents Gravely Zt 2048 Manual

1. Understanding the eBook Gravely Zt 2048 Manual
 - The Rise of Digital Reading Gravely Zt 2048 Manual
 - Advantages of eBooks Over Traditional Books
2. Identifying Gravely Zt 2048 Manual
 - Exploring Different Genres
 - Considering Fiction vs. Non-Fiction
 - Determining Your Reading Goals
3. Choosing the Right eBook Platform
 - Popular eBook Platforms
 - Features to Look for in an Gravely Zt 2048 Manual
 - User-Friendly Interface
4. Exploring eBook Recommendations from Gravely Zt 2048 Manual
 - Personalized Recommendations

- Gravely Zt 2048 Manual User Reviews and Ratings
- Gravely Zt 2048 Manual and Bestseller Lists
- 5. Accessing Gravely Zt 2048 Manual Free and Paid eBooks
 - Gravely Zt 2048 Manual Public Domain eBooks
 - Gravely Zt 2048 Manual eBook Subscription Services
 - Gravely Zt 2048 Manual Budget-Friendly Options
- 6. Navigating Gravely Zt 2048 Manual eBook Formats
 - ePub, PDF, MOBI, and More
 - Gravely Zt 2048 Manual Compatibility with Devices
 - Gravely Zt 2048 Manual Enhanced eBook Features
- 7. Enhancing Your Reading Experience
 - Adjustable Fonts and Text Sizes of Gravely Zt 2048 Manual
 - Highlighting and Note-Taking Gravely Zt 2048 Manual
 - Interactive Elements Gravely Zt 2048 Manual
- 8. Staying Engaged with Gravely Zt 2048 Manual
 - Joining Online Reading Communities
 - Participating in Virtual Book Clubs
 - Following Authors and Publishers Gravely Zt 2048 Manual
- 9. Balancing eBooks and Physical Books Gravely Zt 2048 Manual
 - Benefits of a Digital Library
 - Creating a Diverse Reading Collection Gravely Zt 2048 Manual
- 10. Overcoming Reading Challenges
 - Dealing with Digital Eye Strain
 - Minimizing Distractions
 - Managing Screen Time
- 11. Cultivating a Reading Routine Gravely Zt 2048 Manual
 - Setting Reading Goals Gravely Zt 2048 Manual
 - Carving Out Dedicated Reading Time
- 12. Sourcing Reliable Information of Gravely Zt 2048 Manual
 - Fact-Checking eBook Content of Gravely Zt 2048 Manual

- Distinguishing Credible Sources
- 13. Promoting Lifelong Learning
 - Utilizing eBooks for Skill Development
 - Exploring Educational eBooks
- 14. Embracing eBook Trends
 - Integration of Multimedia Elements
 - Interactive and Gamified eBooks

Gravely Zt 2048 Manual Introduction

In this digital age, the convenience of accessing information at our fingertips has become a necessity. Whether its research papers, eBooks, or user manuals, PDF files have become the preferred format for sharing and reading documents. However, the cost associated with purchasing PDF files can sometimes be a barrier for many individuals and organizations. Thankfully, there are numerous websites and platforms that allow users to download free PDF files legally. In this article, we will explore some of the best platforms to download free PDFs. One of the most popular platforms to download free PDF files is Project Gutenberg. This online library offers over 60,000 free eBooks that are in the public domain. From classic literature to historical documents, Project Gutenberg provides a wide range of PDF files that can be downloaded and enjoyed on various devices. The website is user-friendly and allows users to search for specific titles or browse through different categories. Another reliable platform for downloading Gravely Zt 2048 Manual free PDF files is Open Library. With its vast collection of over 1 million eBooks, Open Library has something for every reader. The website offers a seamless experience by providing options to borrow or download PDF files. Users simply need to create a free account to access this treasure trove of knowledge. Open Library also allows users to contribute by uploading and sharing their own PDF files, making it a collaborative platform for book enthusiasts. For those interested in academic resources, there are websites dedicated to providing free PDFs of research papers and scientific articles. One such website is Academia.edu, which allows researchers and scholars to share their work with a global audience. Users can download PDF files of research papers, theses, and dissertations covering a wide range of subjects. Academia.edu also provides a platform for discussions and networking within the academic community. When it comes to downloading Gravely Zt 2048 Manual free PDF files of magazines, brochures, and catalogs, Issuu is a popular choice. This digital publishing platform hosts a vast collection of publications from around the world. Users can search for specific titles or explore various categories and genres. Issuu offers a seamless reading experience with its user-friendly interface and allows users to download PDF files for offline reading. Apart from dedicated platforms, search engines also play a crucial role in finding free PDF files. Google, for instance, has an advanced search

feature that allows users to filter results by file type. By specifying the file type as "PDF," users can find websites that offer free PDF downloads on a specific topic. While downloading Gravely Zt 2048 Manual free PDF files is convenient, its important to note that copyright laws must be respected. Always ensure that the PDF files you download are legally available for free. Many authors and publishers voluntarily provide free PDF versions of their work, but its essential to be cautious and verify the authenticity of the source before downloading Gravely Zt 2048 Manual. In conclusion, the internet offers numerous platforms and websites that allow users to download free PDF files legally. Whether its classic literature, research papers, or magazines, there is something for everyone. The platforms mentioned in this article, such as Project Gutenberg, Open Library, Academia.edu, and Issuu, provide access to a vast collection of PDF files. However, users should always be cautious and verify the legality of the source before downloading Gravely Zt 2048 Manual any PDF files. With these platforms, the world of PDF downloads is just a click away.

FAQs About Gravely Zt 2048 Manual Books

1. Where can I buy Gravely Zt 2048 Manual books? Bookstores: Physical bookstores like Barnes & Noble, Waterstones, and independent local stores. Online Retailers: Amazon, Book Depository, and various online bookstores offer a wide range of books in physical and digital formats.
2. What are the different book formats available? Hardcover: Sturdy and durable, usually more expensive. Paperback: Cheaper, lighter, and more portable than hardcovers. E-books: Digital books available for e-readers like Kindle or software like Apple Books, Kindle, and Google Play Books.
3. How do I choose a Gravely Zt 2048 Manual book to read? Genres: Consider the genre you enjoy (fiction, non-fiction, mystery, sci-fi, etc.). Recommendations: Ask friends, join book clubs, or explore online reviews and recommendations. Author: If you like a particular author, you might enjoy more of their work.
4. How do I take care of Gravely Zt 2048 Manual books? Storage: Keep them away from direct sunlight and in a dry environment. Handling: Avoid folding pages, use bookmarks, and handle them with clean hands. Cleaning: Gently dust the covers and pages occasionally.
5. Can I borrow books without buying them? Public Libraries: Local libraries offer a wide range of books for borrowing. Book Swaps: Community book exchanges or online platforms where people exchange books.
6. How can I track my reading progress or manage my book collection? Book Tracking Apps: Goodreads, LibraryThing, and Book Catalogue are popular apps for tracking your reading progress and managing book collections. Spreadsheets:

You can create your own spreadsheet to track books read, ratings, and other details.

7. What are Gravely Zt 2048 Manual audiobooks, and where can I find them? Audiobooks: Audio recordings of books, perfect for listening while commuting or multitasking. Platforms: Audible, LibriVox, and Google Play Books offer a wide selection of audiobooks.
8. How do I support authors or the book industry? Buy Books: Purchase books from authors or independent bookstores. Reviews: Leave reviews on platforms like Goodreads or Amazon. Promotion: Share your favorite books on social media or recommend them to friends.
9. Are there book clubs or reading communities I can join? Local Clubs: Check for local book clubs in libraries or community centers. Online Communities: Platforms like Goodreads have virtual book clubs and discussion groups.
10. Can I read Gravely Zt 2048 Manual books for free? Public Domain Books: Many classic books are available for free as they're in the public domain. Free E-books: Some websites offer free e-books legally, like Project Gutenberg or Open Library.

Find Gravely Zt 2048 Manual :

[machine learning in document analysis and recognition studies in computational intelligence](#)

[macavity the mystery cat activities](#)

mack 18 speed t2180 manual

[macroeconomics instructors review copy 10th edition pearson series in economics](#)

[machomusiq video web com](#)

[mach sie gl cklich perfekten liebhaber ebook](#)

macroeconomics w or connect plus access card

magee orthopedic physical assessment

magdalen manuscript tom kenyon

mac os x panther killer tips scott kelby

macbeth vocabulary

magellan gps 320 user manual

mabberleys plant book a portable dictionary of plants their classifications and uses

[mac powerbook g4 manual](#)

mack truck engine repair manuals

Gravelly Zt 2048 Manual :

[the 10 best things to do in grenoble 2023 with photos tripadvisor](#) - Feb 14 2023

web sights landmarks in grenoble tours activities in grenoble nightlife in grenoble outdoor activities in grenoble shopping in grenoble fun games in grenoble transportation in grenoble spas wellness in grenoble nature parks in grenoble museums in grenoble classes workshops in grenoble boat tours water sports in

grenoble is all yours - Jul 19 2023

web follow the marked paths climb up a bit and admire the sprawling city of grenoble at your feet somewhere in between history and nature discover the must see sites like the chateau and cisterns of sassenaie of course wild natural places await as well places steeped in legend like the mysterious ardente fountain

[grenoble travel lonely planet france europe](#) - Apr 16 2023

web jan 24 2017 grenoble france haloed by mountains france s self styled capital of the alps unites city pleasures and breathtaking nature every road leading out of grenoble brushes a different regional park the isère river slices through the city girding the cliff top bastille and a ravishing set of riverside museums

[grenoble vikipedi](#) - Mar 15 2023

web grenoble fransa nın güney doğusunda bulunan rhone alpes bölgesinde isère ilinin merkezi olan ve drac nehrinin isère nehrine karıştığı noktada alpler in eteğinde yer alan bir şehirdir grenoble rhône alpes bölgesinin içindedir bu

[grenoble history geography points of interest britannica](#) - May 17 2023

web grenoble city capital of isère département auvergne rhône alpes région southeastern france dauphiné southeast of lyon it lies along the isère river 702 feet 214 metres above sea level at the foot of mount rachais the

grenoble france 2023 best places to visit tripadvisor - Jan 13 2023

web about grenoble ringed by ski resorts and forested parks there s a sport for every season in grenoble the self proclaimed capital of the alps culture seekers will find plenty to explore in the university town s urban center where art galleries and museums hug the banks of the isère river sponsored by trainline

grenoble wikipedia - Aug 20 2023

web grenoble with the dauphiné alps in the background grenoble is surrounded by mountains to the north lies the chartreuse to the south and west the vercors and to the east the belledonne range grenoble is regarded as the capital of the french alps it is the centre of the grenoble urban unit agglomeration

the 15 best things to do in grenoble tripadvisor - Jun 18 2023

web things to do in grenoble france see tripadvisor s 91 013 traveler reviews and photos of grenoble tourist attractions find what to do today this weekend or in september we have reviews of the best places to see in grenoble visit top rated must see

attractions

grenoble wikitravel - Nov 11 2022

web dec 28 2020 grenoble 1 is a city of around 158 000 inhabitants 550 000 taking into account the metropolitan area located in south eastern france in the rhône alpes region that encompasses the french alps the climate is quite cold in winter with days of snow almost every year

grenoble simple english wikipedia the free encyclopedia - Dec 12 2022

web grenoble is a french commune in the alpine foothills it is the prefecture of the isère department in the auvergne rhône alpes region it has an oceanic climate cfb in the koeppen climate classification it is an important centre for scientific research in france

emergency preparedness merit badge and worksheet - May 17 2023

web do the following discuss with your counselor the aspects of emergency preparedness prevention protection mitigation response recovery include in your discussion the kinds of questions that are important to ask yourself as you consider each of these

current merit badge pamphlet and requirement revision dates - Dec 12 2022

web emergency preparedness 2023 environmental science 2023 family life 2023 farm mechanics 2023 game design 2023 genealogy 2023 geology 2023 golf 2023 hiking 2023 inventing 2023 mammal study 2023 nature 2023 personal fitness 2023 plant science 2023 programming 2023 reptile and amphibian study 2023

emergency preparedness merit badge updated 5 30 2021 - Apr 16 2023

web emergency preparedness merit badge updated 5 30 2021 in class covers requirements 2a half of 2b 3 4 6 8a prerequisites 1 half of 2b 2c 5 7 8b 9 important information about how to prepare for the merit badge parents please review the content of a merit badge prior to registering your scout some badges may be challenging for

bsa emergency preparedness handbook - Jul 07 2022

web emergency preparedness bsa award was first introduced in 2003 and updated in 2014 individual emergency preparedness award requirements 2016 03 27 the award 2014 bear scout requirements the emergency preparedness bsa award was first introduced in 2003 and updated in 2014 individual emergency preparedness award

emergency preparedness boy scouts of america - Feb 14 2023

web emergency preparedness 7 b prepare a personal emergency service pack for a mobilization call prepare a family emergency kit suitcase or waterproof box for use by your family in case an emergency evacuation is needed explain the needs and uses of the contents 9 do one of the following a using a safety checklist approved by your

bsa emergency preparedness handbook - Nov 11 2022

web bsa emergency preparedness handbook april 26th 2018 the first aid merit badge was one of the original 57 merit badges issued by the boy scouts of america in 1911 it replaced the 1910 ambulance badge of merit usssp advancement toc u s

download free bsa emergency preparedness handbook - Apr 04 2022

web bsa emergency preparedness handbook crisis preparedness handbook nov 09 2022 crisis preparedness handbook is a straight forward guide for becoming personally prepared to handle natural disasters and man caused disruptions it motivates people to prepare for emergencies and breaks it down into manageable tasks

bsa emergency preparedness handbook orientation sutd edu - Sep 09 2022

web emergency contact information and action plans 2016 03 27 the award 2014 bear scout requirements the emergency preparedness bsa award was first introduced in 2003 and updated in 2014 individual emergency preparedness award requirements boy scouting provides a series of surmountable obstacles and steps in overcoming

ebook bsa emergency preparedness handbook - Jun 06 2022

web bsa emergency preparedness handbook the neighborhood emergency response handbook apr 04 2022 practical step by step strategies for helping your own family first responders and vulnerable community members during any emergency situation eventually everyone experiences a catastrophic emergency whether it s a

bsa emergency preparedness handbook - Oct 10 2022

web bsa emergency preparedness handbook myscouting org legacy web tools april 27th 2018 the myscouting org website has been replaced with my scouting org any applications used on myscouting org are available at my scouting org under legacy web tools after selecting the menu button on the landing page

the emergency preparedness merit badge your ultimate - Jan 13 2023

web what are the emergency preparedness merit badge requirements earn the first aid merit badge do the following 2a discuss with your counselor the aspects of emergency preparedness 2a i prevention 2a ii protection 2a iii

emergency preparedness boy scouts of america - Sep 21 2023

web isbn 978 0 8395 3368 9 2022 boy scouts of america 2022 printing requirements 1 earn the first aid merit badge 2 do the following discuss with your counselor the aspects of emergency preparedness prevention protection mitigation response *emergency preparedness merit badge u s scouting service* - Jun 18 2023

web jan 1 2023 emergency preparedness requirements were revised effective january 1 2023 to see the changes which were made click here for the previous requirements click here earn the first aid merit badge do the following discuss with your counselor the aspects of emergency preparedness prevention protection mitigation response

emergency preparedness moe - Aug 08 2022

web oct 18 2021 emergency preparedness the safety security and well being of our students and staff are our top priority

learn about our measures and who to contact in an emergency we place great emphasis on the safety and security of students and staff we have response procedures in place to respond to and take appropriate measures

emergency preparedness scouts bsa troops 1028 9 - Aug 20 2023

web created date 6 25 2020 9 34 23 am

bsa emergency preparedness handbook orientation sutd edu - May 05 2022

web bsa emergency preparedness handbook 2016 03 27 the award 2014 bear scout requirements the emergency preparedness bsa award was first introduced in 2003 and updated in 2014 individual emergency preparedness award requirements cooking merit badge boy scouts of america on amazon com free shipping on qualifying offers

emergency preparedness and response bsi singapore - Mar 03 2022

web upon completion of the training you will understand the importance of emergency preparedness the vital components of an effective emergency response plan erp how to test and measure the performance of your organization s current erp and recommend improvements how to respond quickly and effectively if an incident occurs

emergency preparedness u s scouting service project - Mar 15 2023

web emergency preparedness scout s name emergency preparedness merit badge workbook page 9 of 14 b prepare a personal emergency service pack for a mobilization call contents needs and uses prepare a family emergency kit suitcase or waterproof box for use by your family in case an emergency evacuation is needed

[emergency preparedness merit badge boy scouts of america](#) - Oct 22 2023

web view current emergency preparedness merit badge requirements and resources from the official boy scouts of america merit badge hub

3uhsduhgqhv u s scouting service project - Jul 19 2023

web c a take part in an emergency service project either a real one or a practice drill with a scouting unit or a community agency b prepare a written plan for mobilizing your troop when needed to do emergency service if there is already a plan explain it tell your part in making it work emergency preparedness merit badge workbook page

[aquarelle la touche parisienne broché rebecca meurin fnac](#) - Oct 05 2023

web sep 20 2019 aquarelle la touche parisienne rebecca meurin mango des milliers de livres avec la livraison chez vous en 1 jour ou en magasin avec 5 de réduction aquarelle la touche parisienne broché rebecca meurin achat livre fnac

aquarelle static fnac static com - Feb 26 2023

web par la magie de l aquarelle la ville se pare de couleurs tendres et chaque instant est sublimé la touche parisienne c est l art de ré enchanter le gris du ciel de transformer la terrasse d un café en un coin de paradis de twister une tenue en trois coups de pinceau quelques godets et de l eau voilà tout ce qu il vous faut

gibert com aquarelle la touche parisienne rebecca meurin - Aug 23 2022

web la touche parisienne c est l art de ré enchanter le gris du ciel de transformer la terrasse d un café en un coin de paradis de twister une tenue en trois c gibert com aquarelle la touche parisienne rebecca meurin peinture et dessin livres pas cher

aquarelle la touche parisienne meurin rebecca - Aug 03 2023

web aquarelle la touche parisienne meurin rebecca on amazon com au free shipping on eligible orders aquarelle la touche parisienne

aquarelle la touche parisienne grand format decitre - Jan 28 2023

web sep 20 2019 la touche parisienne c est l art de ré enchanter le gris du ciel de transformer la terrasse d un café en un coin de paradis de twister une tenue en trois coups de pinceau quelques godets et de l eau voilà tout ce qu il vous faut abordez l aquarelle en toute simplicité pour donner à chaque dessin un je ne sais quoi

aquarelle la touche parisienne - Nov 25 2022

web par la magie de l aquarelle la ville se pare de couleurs tendres et chaque instant est sublimé la touche parisienne c est l art de ré enchanter le gris du ciel de transformer la terrasse d un café en un coin de paradis de twister une tenue en trois coups de pinceau

[aquarelle la touche parisienne by fleurus editions issuu](#) - Sep 04 2023

web aug 13 2019 read aquarelle la touche parisienne by fleurus editions on issuu and browse thousands of other publications on our platform start here

aquarelle la touche parisienne 17 modèles en étapes débutant - Mar 18 2022

web une initiation à la technique de l aquarelle à travers des exemples de vues parisiennes à peindre shopping fenêtre sur cour toits de paris ou encore pause café electre 2019

aquarelle la touche parisienne 17 modèles en étapes débutant - May 20 2022

web une initiation à la technique de l aquarelle à travers des exemples de vues parisiennes à peindre shopping fenêtre sur cour toits de paris ou encore pause café electre 2019

aquarelle la touche parisienne 17 modèles en étapes débutant - Apr 18 2022

web la touche parisienne c est l art de ré enchanter le gris du ciel de transformer la terrasse d un café en un coin de paradis de twister une tenue en trois coups de pinceau quelques godets et de l eau voilà tout ce qu il vous faut abordez l aquarelle en toute simplicité pour donner à chaque dessin un je ne sais quoi poétique et chic

[aquarelle la touche parisienne by fleurus editions issuu](#) - Jul 02 2023

web aug 12 2019 la touche parisienne c est l art de ré enchanter le gris du ciel de transformer la terrasse d un café en un coin de paradis de twister une tenue en trois coups de pinceau

aquarelle la touche parisienne meurin rebecca - Dec 27 2022

web par la magie de l aquarelle la ville se pare de couleurs tendres et chaque instant est sublimé la touche parisienne c est l art de ré enchanter le gris du ciel de transformer la terrasse d un café en un coin de paradis de twister une tenue en trois coups de pinceau

aquarelle la touche parisienne art et culture rakuten - Feb 14 2022

web nov 10 2022 par la magie de l aquarelle la ville se pare de couleurs tendres et chaque instant est sublimé la touche parisienne c est l art de ré enchanter le gris du ciel de transformer la terrasse d un café en un coin de paradis de twister une tenue en trois coups de pinceau quelques godets et de l eau voilà tout ce qu il vous faut

aquarelle la touche parisienne centre pompidou - Mar 30 2023

web les cahiers du mnam other magazines travel guides for paris other travel guide children s art books baby books documentary children s book and pop up book arts and crafts first reading books products products aquarelle la touche parisienne

aquarelle la touche parisienne librairie eyrolles - Jun 20 2022

web par la magie de l aquarelle la ville se pare de couleurs tendres et chaque instant est sublimé la touche parisienne c est l art de ré enchanter le gris du ciel de transformer la terrasse d un café en un coin de paradis de twister une tenue en trois

[aquarelle la touche parisienne rebecca meurin mango](#) - Jun 01 2023

web sep 20 2019 par la magie de l aquarelle la ville se pare de couleurs tendres et chaque instant est sublimé la touche parisienne c est l art de ré enchanter le gris du ciel de transformer la terrasse d un café en un coin de paradis de twister une tenue en trois coups de pinceau quelques godets et de l eau voilà tout ce qu il vous

aquarelle la touche parisienne amazon sg books - Apr 30 2023

web hello sign in account lists returns orders cart

[aquarelle la touche parisienne](#) - Sep 23 2022

web aquarelle la touche parisienne rebecca meurin mango achat livre sur divertistore com aquarelle la touche parisienne par la magie de l aquarelle la ville se pare de couleurs tendres et chaque instant est sublimé

aquarelle la touche parisienne amazon co uk meurin rebecca - Oct 25 2022

web buy aquarelle la touche parisienne by meurin rebecca isbn 9782317021367 from amazon s book store everyday low prices and free delivery on eligible orders

aquarelle la touche parisienne meurin rebecca amazon fr - Jul 22 2022

web aquarelle la touche parisienne meurin rebecca amazon fr livres passer au contenu principal fr bonjour entrez votre adresse livres sélectionnez la section dans laquelle vous souhaitez faire votre recherche rechercher amazon fr bonjour

identifiez vous compte et listes retours et commandes panier