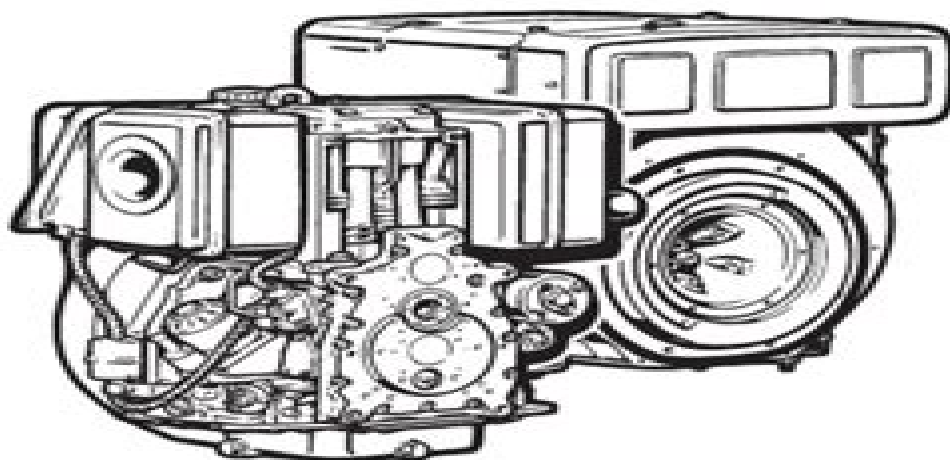


Workshop manual



1 D . .

438 202 01 - Printed in Germany

Hatz 790 Diesel Workshop Manual

Michael Seilmaier



Hatz 790 Diesel Workshop Manual:

Eventually, you will extremely discover a other experience and capability by spending more cash. nevertheless when? complete you understand that you require to get those all needs in the same way as having significantly cash? Why dont you try to get something basic in the beginning? Thats something that will lead you to comprehend even more a propos the globe, experience, some places, once history, amusement, and a lot more?

It is your extremely own grow old to piece of legislation reviewing habit. in the middle of guides you could enjoy now is **Hatz 790 Diesel Workshop Manual** below.

http://www.armchairempire.com/results/book-search/Documents/guide_maple_12.pdf

Table of Contents Hatz 790 Diesel Workshop Manual

1. Understanding the eBook Hatz 790 Diesel Workshop Manual
 - The Rise of Digital Reading Hatz 790 Diesel Workshop Manual
 - Advantages of eBooks Over Traditional Books
2. Identifying Hatz 790 Diesel Workshop Manual
 - Exploring Different Genres
 - Considering Fiction vs. Non-Fiction
 - Determining Your Reading Goals
3. Choosing the Right eBook Platform
 - Popular eBook Platforms
 - Features to Look for in an Hatz 790 Diesel Workshop Manual
 - User-Friendly Interface
4. Exploring eBook Recommendations from Hatz 790 Diesel Workshop Manual
 - Personalized Recommendations
 - Hatz 790 Diesel Workshop Manual User Reviews and Ratings
 - Hatz 790 Diesel Workshop Manual and Bestseller Lists
5. Accessing Hatz 790 Diesel Workshop Manual Free and Paid eBooks

- Hatz 790 Diesel Workshop Manual Public Domain eBooks
 - Hatz 790 Diesel Workshop Manual eBook Subscription Services
 - Hatz 790 Diesel Workshop Manual Budget-Friendly Options
6. Navigating Hatz 790 Diesel Workshop Manual eBook Formats
 - ePub, PDF, MOBI, and More
 - Hatz 790 Diesel Workshop Manual Compatibility with Devices
 - Hatz 790 Diesel Workshop Manual Enhanced eBook Features
 7. Enhancing Your Reading Experience
 - Adjustable Fonts and Text Sizes of Hatz 790 Diesel Workshop Manual
 - Highlighting and Note-Taking Hatz 790 Diesel Workshop Manual
 - Interactive Elements Hatz 790 Diesel Workshop Manual
 8. Staying Engaged with Hatz 790 Diesel Workshop Manual
 - Joining Online Reading Communities
 - Participating in Virtual Book Clubs
 - Following Authors and Publishers Hatz 790 Diesel Workshop Manual
 9. Balancing eBooks and Physical Books Hatz 790 Diesel Workshop Manual
 - Benefits of a Digital Library
 - Creating a Diverse Reading Collection Hatz 790 Diesel Workshop Manual
 10. Overcoming Reading Challenges
 - Dealing with Digital Eye Strain
 - Minimizing Distractions
 - Managing Screen Time
 11. Cultivating a Reading Routine Hatz 790 Diesel Workshop Manual
 - Setting Reading Goals Hatz 790 Diesel Workshop Manual
 - Carving Out Dedicated Reading Time
 12. Sourcing Reliable Information of Hatz 790 Diesel Workshop Manual
 - Fact-Checking eBook Content of Hatz 790 Diesel Workshop Manual
 - Distinguishing Credible Sources
 13. Promoting Lifelong Learning
 - Utilizing eBooks for Skill Development

- Exploring Educational eBooks
14. Embracing eBook Trends
- Integration of Multimedia Elements
 - Interactive and Gamified eBooks

Hatz 790 Diesel Workshop Manual Introduction

In the digital age, access to information has become easier than ever before. The ability to download Hatz 790 Diesel Workshop Manual has revolutionized the way we consume written content. Whether you are a student looking for course material, an avid reader searching for your next favorite book, or a professional seeking research papers, the option to download Hatz 790 Diesel Workshop Manual has opened up a world of possibilities. Downloading Hatz 790 Diesel Workshop Manual provides numerous advantages over physical copies of books and documents. Firstly, it is incredibly convenient. Gone are the days of carrying around heavy textbooks or bulky folders filled with papers. With the click of a button, you can gain immediate access to valuable resources on any device. This convenience allows for efficient studying, researching, and reading on the go. Moreover, the cost-effective nature of downloading Hatz 790 Diesel Workshop Manual has democratized knowledge. Traditional books and academic journals can be expensive, making it difficult for individuals with limited financial resources to access information. By offering free PDF downloads, publishers and authors are enabling a wider audience to benefit from their work. This inclusivity promotes equal opportunities for learning and personal growth. There are numerous websites and platforms where individuals can download Hatz 790 Diesel Workshop Manual. These websites range from academic databases offering research papers and journals to online libraries with an expansive collection of books from various genres. Many authors and publishers also upload their work to specific websites, granting readers access to their content without any charge. These platforms not only provide access to existing literature but also serve as an excellent platform for undiscovered authors to share their work with the world. However, it is essential to be cautious while downloading Hatz 790 Diesel Workshop Manual. Some websites may offer pirated or illegally obtained copies of copyrighted material. Engaging in such activities not only violates copyright laws but also undermines the efforts of authors, publishers, and researchers. To ensure ethical downloading, it is advisable to utilize reputable websites that prioritize the legal distribution of content. When downloading Hatz 790 Diesel Workshop Manual, users should also consider the potential security risks associated with online platforms. Malicious actors may exploit vulnerabilities in unprotected websites to distribute malware or steal personal information. To protect themselves, individuals should ensure their devices have reliable antivirus software installed and validate the legitimacy of the websites they are downloading from. In conclusion, the ability to download Hatz 790 Diesel Workshop Manual has transformed the way we access information. With the convenience, cost-

effectiveness, and accessibility it offers, free PDF downloads have become a popular choice for students, researchers, and book lovers worldwide. However, it is crucial to engage in ethical downloading practices and prioritize personal security when utilizing online platforms. By doing so, individuals can make the most of the vast array of free PDF resources available and embark on a journey of continuous learning and intellectual growth.

FAQs About Hatz 790 Diesel Workshop Manual Books

1. Where can I buy Hatz 790 Diesel Workshop Manual books? Bookstores: Physical bookstores like Barnes & Noble, Waterstones, and independent local stores. Online Retailers: Amazon, Book Depository, and various online bookstores offer a wide range of books in physical and digital formats.
2. What are the different book formats available? Hardcover: Sturdy and durable, usually more expensive. Paperback: Cheaper, lighter, and more portable than hardcovers. E-books: Digital books available for e-readers like Kindle or software like Apple Books, Kindle, and Google Play Books.
3. How do I choose a Hatz 790 Diesel Workshop Manual book to read? Genres: Consider the genre you enjoy (fiction, non-fiction, mystery, sci-fi, etc.). Recommendations: Ask friends, join book clubs, or explore online reviews and recommendations. Author: If you like a particular author, you might enjoy more of their work.
4. How do I take care of Hatz 790 Diesel Workshop Manual books? Storage: Keep them away from direct sunlight and in a dry environment. Handling: Avoid folding pages, use bookmarks, and handle them with clean hands. Cleaning: Gently dust the covers and pages occasionally.
5. Can I borrow books without buying them? Public Libraries: Local libraries offer a wide range of books for borrowing. Book Swaps: Community book exchanges or online platforms where people exchange books.
6. How can I track my reading progress or manage my book collection? Book Tracking Apps: Goodreads, LibraryThing, and Book Catalogue are popular apps for tracking your reading progress and managing book collections. Spreadsheets: You can create your own spreadsheet to track books read, ratings, and other details.
7. What are Hatz 790 Diesel Workshop Manual audiobooks, and where can I find them? Audiobooks: Audio recordings of books, perfect for listening while commuting or multitasking. Platforms: Audible, LibriVox, and Google Play Books offer a wide selection of audiobooks.
8. How do I support authors or the book industry? Buy Books: Purchase books from authors or independent bookstores. Reviews: Leave reviews on platforms like Goodreads or Amazon. Promotion: Share your favorite books on social media

or recommend them to friends.

9. Are there book clubs or reading communities I can join? Local Clubs: Check for local book clubs in libraries or community centers. Online Communities: Platforms like Goodreads have virtual book clubs and discussion groups.
10. Can I read Hatz 790 Diesel Workshop Manual books for free? Public Domain Books: Many classic books are available for free as they're in the public domain. Free E-books: Some websites offer free e-books legally, like Project Gutenberg or Open Library.

Find Hatz 790 Diesel Workshop Manual :

[guide-maple-12](#)

guide to become a surrendered wife

[guide westbengal school service commission](#)

[guide to social security 41st edition](#)

[guide to the north country national scenic trail in minnesota](#)

[guide to java programming 7th edition](#)

guide on hair cutting step by training

guide eztrend qxe

[guide on nikon d5100](#)

[guide to be en 13813 introduction screeding](#)

[guided hardship suffering during depression answers](#)

guide aqa gce product design

[guide to presentations a custom edition](#)

[guide r k narayan text](#)

guia paladin diablo 2

Hatz 790 Diesel Workshop Manual :

oxford primary science class 1 teaching guide download - Aug 07 2022

teach the lessons third edition new oxford primary science nicholas horsburgh since its publication in 1990 new oxford

primary science nops has established itself as

[oxford international primary science oxford university press](#) - Mar 02 2022

science explore our conference recordings and more nelson science an integrated approach to teaching science oxford international primary science for internationally minded learners

new oxford primary science level 1 teaching guide pdf - May 04 2022

look inside oxford international primary science student book 1 series contains 6 student books 6 teacher guides 6 workbooks 6 student ebooks downloadable resources on oxford

new oxford primary science book 1 goodreads - Apr 15 2023

join the educational research forum take part in exclusive research projects in your areas of interest voice your individual views on the latest hot topics in education help shape the

science primary oxford university press - Dec 31 2021

jan 1 2014 the second edition of new oxford primary science seeks to give the pupils skills and tools to enable them to ask questions and to evoke interest in the subject it retains the

teacher s guide weebly - Jul 18 2023

science fact file teacher s guide 1 2 and 3 have been written to help the teacher develop effective science teaching the guide goes through each unit giving suggestions for

complimentary copy not for sale - Jun 05 2022

sep 5 2019 oxford teaching guides are a brand new series of how to teach books covering a wide range of mainstream issues in school teaching practical concise and affordable they

contents - Jul 06 2022

nov 26 2020 new oxford primary science level 1 teaching guide pdf oxford learner bookshelf pdf free download by quranmualim november 26 2020 dear users oxford

new oxford primary science book 2 by nicholas horsburgh - Oct 29 2021

oxford primary science class 1 teaching guide roger - Nov 29 2021

primary resources from oxford university press ks1 and ks2 - Mar 14 2023

what your child will learn below you ll find information about the science curriculum in primary schools in england science in the early years foundation stage science in key stage 1 and

oxford discover teacher s site teaching resources oxford - May 16 2023

here you will find extra resources for both 1st edition and 2nd edition to help you when using oxford discover with your class for easier access to what you need materials are filterable

oxford international primary science teacher guide 2 second - Aug 19 2023

may 27 2021 an enquiry based approach to primary science using scientific enquiry to explore new concepts author deborah roberts author terry hudson author alan haigh and

oxford teaching guides secondary oxford university press - Apr 03 2022

oxford international primary science please click on the links below to view the answers to workbooks 1 6 please click on the links below to view the list of resources needed for each

oxford primary science class 1 teaching guide - Sep 08 2022

teach the lessons third edition new oxford primary science nicholas horsburgh since its publication in 1990 new oxford primary science nops has established itself as

syllabus free download borrow and streaming internet archive - Sep 20 2023

new oxford primary science teaching guide 1 daisy zip download new oxford primary science teaching guide 2 daisy zip download new oxford primary science teaching

new oxford international primary science teacher s guide 5 - Dec 11 2022

oxford primary science class 1 teaching guide pdf pdf is available in our digital library an online access to it is set as public so you can get it instantly our digital library saves in

oxford international primary science teacher s guide 3 - Jun 17 2023

jul 29 2021 oxford international primary science teacher s guide 3 deborah roberts terry hudson alan haigh geraldine shaw oxford university press jul 29 2021 science 166

new oxford primary science teaching guide 4 - Jan 12 2023

oxford primary science class 1 teaching guide is available in our digital library an online access to it is set as public so you can download it instantly our book servers hosts in

oxford primary science class 1 teaching guide download - Nov 10 2022

oxford primary science class 1 teaching guide a literary masterpiece that delves deep to the significance of words and their effect on our lives compiled by a renowned author this

science at primary school oxford owl for home - Feb 13 2023

sep 23 2021 oxford university press sep 23 2021 190 pages a complete six year primary science course that takes an enquiry based active learning approach to teaching young

oxford primary science class 1 teaching guide pdf pdf vodica - Oct 09 2022

primary science is a complete six year primary science course that takes an enquiry based approach to learning about science engaging students in the topics through asking questions

[oxford international primary science oxford university press](#) - Feb 01 2022

sep 27 2023 [oxford international primary science teacher s guide 3 deborah roberts 2021 07 26 a complete six year primary science course that takes a problem solving](#)

[free baritone saxophone sheet music 8notes com](#) - Jun 06 2022

web louie louie by richard berry digital sheet music for alto saxophone baritone saxophone tenor saxophone download print a0 779791 sheet music plus

barisaxlouielouiesheetmusic lennie niehaus 2023 - Feb 02 2022

[baritone saxophone top sheet music downloads at](#) - Apr 04 2022

[louie louie sheet music for tambourine saxophone](#) - Mar 15 2023

web 90 off play the music you love without limits for just 7 99 0 77 week billed annually at 39 99 view official scores licensed from print music publishers download and print

louie louie arr johnnie vinson eb baritone saxophone - Dec 12 2022

web bari sax louie louiesheet music is to hand in our digital library an online access to it is set as public in view of that you can download it instantly our digital library saves in

the kingsmen louie louie sheet music tenor saxophone - Jan 01 2022

bari sax solo 1 sheet music for saxophone baritone solo - Jul 07 2022

web louie louie by richard berry digital sheet music for baritone saxophone piano download print a0 1091640 sheet music plus

louie louie sheet music for piano saxophone alto - Jun 18 2023

web download and print louie louie sheet music for baritone sax and piano by kingsmen from sheet music direct pass unlimited access to over 1 million arrangements for

[louie louie sheet music 21 arrangements](#) - Feb 14 2023

web aug 20 2013 [play the music you love without limits for just 7 99 0 77 week billed annually at 39 99 view official scores licensed from print music publishers download](#)

louie louie sheet music kingsmen baritone sax and piano - Jan 13 2023

web minuet vivaldi spring from the four seasons 1 2 free free baritone saxophone sheet music sheet music pieces to download from 8notes com

[louie louie the kingsmen louie louie sheet music for](#) - Jul 19 2023

web nov 12 2022 download and print in pdf or midi free sheet music for louie louie by the kingsmen arranged by samuelprozie for piano cornet saxophone alto saxophone

the kingsmen louie louie sheet music in a major - Sep 09 2022

web georgia on my mind sheet music ray charles 1997 11 01 piano vocal this sheet music features an arrangement for piano and voice with guitar chord frames with the

[louie louie the kingsmen louie louie sheet music for piano](#) - Apr 16 2023

web product details artist kingsmen score type interactive pdf included with pass writer richard berry format digital sheet music pages 1 arrangement tenor sax solo

[bari sax louie louiesheet music gordon jack](#) - May 05 2022

louie louie sheet music for piano saxophone alto - May 17 2023

web print and download louie louie arr johnnie vinson eb baritone saxophone sheet music music notes for score and parts sheet music by the kingsmen hal leonard

louie louie sheet music plus - Nov 30 2021

bari sax louie louiesheet music pdf uniport edu - Mar 03 2022

bari sax solo sheet music for saxophone baritone solo - Aug 08 2022

web print and download louie louie sheet music by the kingsmen arranged for tenor saxophone instrumental solo in c major sku mn0104356

louie louie sheet music kingsmen tenor sax solo - Oct 10 2022

web apr 29 2023 merely said the bari sax louie louiesheet music is universally compatible with any devices to read essential songs for trumpet 2008 06 instrumental folio this

louie louie by richard berry digital sheet music for - Oct 30 2021

[louie louie for bari sax sheet music for saxophone](#) - Aug 20 2023

web oct 22 2021 download and print in pdf or midi free sheet music for louie louie by the kingsmen arranged by buddyscore for saxophone alto saxophone baritone snare

[the kingsmen louie louie sheet music alto](#) - Nov 11 2022

web top songs baritone saxophone our best selling baritone saxophone sheet music sort by instrument or genre browse all baritone saxophone title artist 1 how ya

libreria tarantola sesto san giovanni - Aug 19 2022

l ampio catalogo che conta circa 40 000 volumi spazia in tutti i generi e le tipologie dalla narrativa ai saggi dai libri d arte e fotografia ai libri per l infanzia e ragazzi librai dal 1859 infolibreriatarantolasesto it 39 02 2621696 sushi estetica e tecnica di ono jiro yamamoto m cur 19 90 aggiungi al carrello

Şişli İstanbul bölgesindeki en iyi 10 suşi restoranları - Feb 10 2022

en yüksek puan 1 maromi 63 yorum Şu anda kapalı japon suşi menü kaliteli ve nezih bir restoran ailece sushi partisi 2 naomi sushi bar

otooto sushi İstanbul restoran yorumları fotoğraflar ve - Jul 18 2022

yemek hizmet değer ayrıntılar mutfaklar Çin japon deniz mahsülleri asya Şarap barı suşi sağlıklı Öğünler Öğle yemeği akşam yemeği Özellikler rezervasyonlar kredi kartı geçerli oturma masaya servis tüm ayrıntılara bakın özelli kler konum ve iletişim bilgileri

sushi estetica e tecnica hardcover 13 oct 2016 amazon co uk - Mar 26 2023

buy sushi estetica e tecnica by ono jiro yamamoto m isbn 9788858015872 from amazon s book store everyday low prices and free delivery on eligible orders

sushi lab istanbul visnezade visnezade mahallesi sair tripadvisor - Dec 11 2021

oct 21 2023 sushi lab istanbul see 150 unbiased reviews of sushi lab rated 4 5 of 5 on tripadvisor and ranked 203 of 15 321 restaurants in istanbul

sushi estetica e tecnica jiro ono google books - Aug 31 2023

il sushi è un piatto la cui semplice preparazione non è forse battuta da nessun altro piatto al mondo È la pura combinazione di riso con pesce o crostacei ma proprio per questa ragione non

i 12 migliori libri sul sushi con guide e illustrazioni da maurizio - May 28 2023

01 10 2022 argomenti lista dei migliori libri sul sushi il libro del sushi la guida passo passo a prova di principiante con più di 50 ricette illustrate a colori contenenti le tecniche e i segreti della cucina giapponese sushi estetica e tecnica sushi facilissimo sushi facile dai classici maki e nigiri ai piatti moderni e agli hamburger

sushi estetica e tecnica arte della cucina sushi sashimi - Sep 19 2022

2 gen 2019 compra sushi estetica e tecnica spedizione gratuita su ordini idonei

sushi estetica e tecnica amazon com br - Jan 24 2023

compre online sushi estetica e tecnica de ono jiro yamamoto m na amazon frete grÁtis em milhares de produtos com o

amazon prime encuentre diversos libros em inglês e outras línguas com ótimos preços

i 10 migliori libri sul sushi notizie scientifiche it - Jun 28 2023

jun 16 2023 vai direttamente alla lista sushi per principianti sushi estetica e tecnica se stai cercando di esplorare il mondo del sushi e migliorare le tue abilità culinarie questo assortimento di libri su amazon ti ha coperto

sushi estetica e tecnica assets bracketcloud com - Jun 16 2022

sushi estetica e tecnica this is likewise one of the factors by obtaining the soft documents of this sushi estetica e tecnica by online you might not require more get older to spend to go to the books introduction as competently as search for them in some cases you likewise attain not discover the publication sushi estetica e

sushi estetica e tecnica hardcover 13 october 2016 - Dec 23 2022

select the department you want to search in

sushi lab akaretler istanbul besiktas tripadvisor - May 16 2022

feb 11 2019 sushi lab akaretler istanbul see 44 unbiased reviews of sushi lab akaretler rated 4 5 of 5 and one of 15 315 istanbul restaurants on tripadvisor

sushi estetica e tecnica tuttogiappone - Apr 26 2023

158 pagine editore gribaudo 18 90 un libro sulla tecnica del sushi e sui prodotti ricco di spunti è un manifesto sull arte della preparazione del sushi non è un ricettario mancano infatti i dosaggi spiega tecniche di preparazione e di cottura la storia e numerosi dettagli sul sushi scopri di più chatta con tuttogiappone

sushi estetica e tecnica jiro ono libro libreria ibs - Jul 30 2023

sushi estetica e tecnica è un libro di jiro ono pubblicato da gribaudo nella collana sapori e fantasia acquista su ibs a 15 92

i migliori saloni di bellezza e trattamenti di bellezza a istanbul - Apr 14 2022

may 8 2023 qui puoi trovare informazioni e consigli utili su dove trovare i migliori posti per il benessere la spa e i trattamenti di bellezza a istanbul compresi i prezzi le cose da considerare con i migliori medici estetici e i migliori centri estetici saloni nail bar e spa a istanbul e goditi il tuo trattamento di bellezza e il tuo corpo da sogno

en iyi 10 suşi restoran İstanbul tripadvisor - Jan 12 2022

sushico 29 ichigo sushi bar 30 chinese sushi express İstanbul türkiye bölgesindeki suşi restoran tripadvisor

seyahatseverlerinin İstanbul restoranları hakkındaki yorumuna bakın ve mutfağa fiyata yere ve diğer kriterlere göre arama yapın

sushi estetica e tecnica pdf vodice - Mar 14 2022

sep 18 2023 sushi estetica e tecnica pdf is available in our book collection an online access to it is set as public so you can get it instantly our books collection spans in multiple locations allowing you to get the most less latency time to download any

sushi estetica e tecnica copertina rigida 13 ottobre 2016 - Oct 01 2023

1592 vendi su amazon scorri sopra l immagine per ingrandirla sushi estetica e tecnica copertina rigida 13 ottobre 2016 di jiro ono autore m yamamoto a cura di 4 6 34 voti visualizza tutti i formati ed edizioni copertina rigida 15 92 6 nuovo da 15 92

sushi estetica e tecnica ono jiro yamamoto m cur - Nov 21 2022

il sushi è un piatto la cui semplice preparazione non è forse battuta da nessun altro piatto al mondo È la pura combinazione di riso con pesce o crostacei ma proprio per questa ragione non v è alcuna falsificazione e soltanto i veri maestri riescono a prepararlo jiro ono

i 6 migliori libri sul sushi per prepararlo in casa ricette - Feb 22 2023

aug 21 2019 la top 3 migliori libri sul sushi rischio parassiti quale testo sul sushi scegliere sushi sashimi l arte della cucina giapponese sushi estetica e tecnica sushi per principianti sushi a casa mia ricette facili e veloci 500 sushi sushi e dintorni la top 3 migliori libri sul sushi

migliori libri sul sushi 2023 classifica libri - Oct 21 2022

libri sul sushi si riferisce a libri che trattano di sushi questi libri possono includere ricette informazioni sulla storia e la cultura del sushi informazioni su come preparare e servire il sushi consigli su come acquistare e conservare il pesce e altro ancora

estethica clinic your clinic for cosmetic surgery in istanbul - Nov 09 2021

stomach buttocks intimate surgery your clinic for cosmetic surgery in istanbul the beauty clinics offer you these advantages your health and satisfaction enjoy the highest priority with us top trained doctors and recognized plastic aesthetic surgeons three