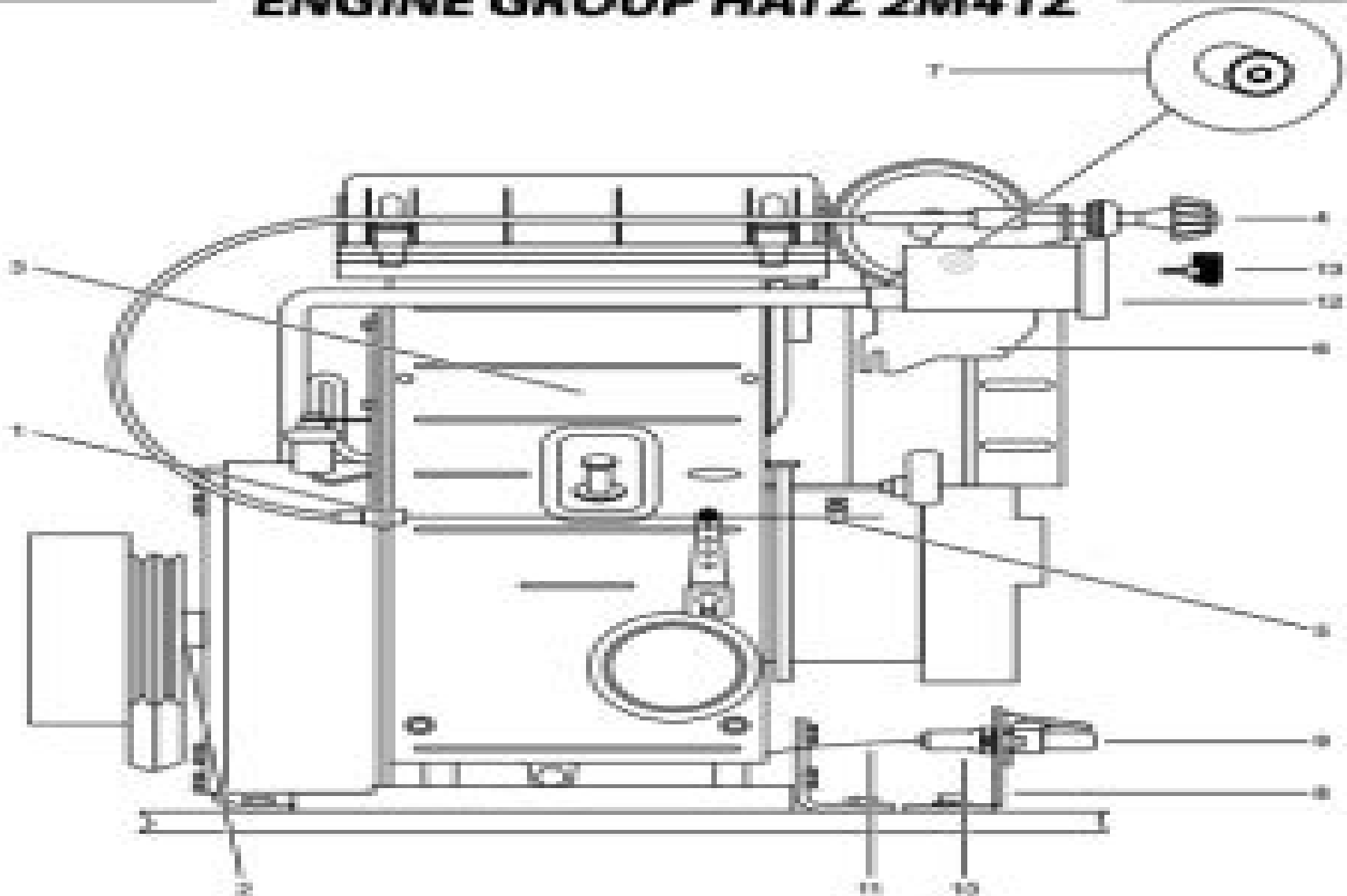


ENGINE GROUP HATZ 2M41Z



REF	DESCRIPTION	PART N.	REF	DESCRIPTION	PART N.
1	THRUSTLE-CABLE & BRACKET	8200000	8	PLUG MOUNT BRACKET	8200002
2	SHAFT	8200001	9	PLUG (20K) PLUG	8200003
3	HANDLE	8200000	10	PLUG SOCKET	8200004
4	THRUSTLE-CABLE ASSEY	8200000	11	GRIP CABLE	8200000
5	CABLE STOP	8200000	12	CONTROL-CABLE (2M41Z)	8200000
6	CONTROL BOX BRACKET	8200000	13	NUT (2M41Z)	8200000
7	CONTROL BOX MOUNT	8200000			

Hatz 2m41z Parts Manual

**California. Bureau of Industrial
Education. Instructional Materials
Laboratory**

Hatz 2m41z Parts Manual:

Master Parts Manual Tecumseh Products Company. Engine and Gear Service Division,1982
Parts Manual California. Bureau of Industrial Education. Instructional Materials Laboratory,1952

Course for the Auto

The book delves into Hatz 2m41z Parts Manual. Hatz 2m41z Parts Manual is an essential topic that needs to be grasped by everyone, ranging from students and scholars to the general public. The book will furnish comprehensive and in-depth insights into Hatz 2m41z Parts Manual, encompassing both the fundamentals and more intricate discussions.

1. This book is structured into several chapters, namely:
 - Chapter 1: Introduction to Hatz 2m41z Parts Manual
 - Chapter 2: Essential Elements of Hatz 2m41z Parts Manual
 - Chapter 3: Hatz 2m41z Parts Manual in Everyday Life
 - Chapter 4: Hatz 2m41z Parts Manual in Specific Contexts
 - Chapter 5: Conclusion
2. In chapter 1, the author will provide an overview of Hatz 2m41z Parts Manual. This chapter will explore what Hatz 2m41z Parts Manual is, why Hatz 2m41z Parts Manual is vital, and how to effectively learn about Hatz 2m41z Parts Manual.
3. In chapter 2, the author will delve into the foundational concepts of Hatz 2m41z Parts Manual. The second chapter will elucidate the essential principles that need to be understood to grasp Hatz 2m41z Parts Manual in its entirety.
4. In chapter 3, this book will examine the practical applications of Hatz 2m41z Parts Manual in daily life. The third chapter will showcase real-world examples of how Hatz 2m41z Parts Manual can be effectively utilized in everyday scenarios.
5. In chapter 4, the author will scrutinize the relevance of Hatz 2m41z Parts Manual in specific contexts. The fourth chapter will explore how Hatz 2m41z Parts Manual is applied in specialized fields, such as education, business, and technology.
6. In chapter 5, this book will draw a conclusion about Hatz 2m41z Parts Manual. This chapter will summarize the key points that have been discussed throughout the book.

The book is crafted in an easy-to-understand language and is complemented by engaging illustrations. This book is highly recommended for anyone seeking to gain a comprehensive understanding of Hatz 2m41z Parts Manual.

http://www.armchairempire.com/data/detail/index.jsp/Maurische_Ornamente_2016_Optikus_Kalender.pdf

Table of Contents Hatz 2m41z Parts Manual

1. Understanding the eBook Hatz 2m41z Parts Manual

- The Rise of Digital Reading Hatz 2m41z Parts Manual
 - Advantages of eBooks Over Traditional Books
2. Identifying Hatz 2m41z Parts Manual
 - Exploring Different Genres
 - Considering Fiction vs. Non-Fiction
 - Determining Your Reading Goals
 3. Choosing the Right eBook Platform
 - Popular eBook Platforms
 - Features to Look for in an Hatz 2m41z Parts Manual
 - User-Friendly Interface
 4. Exploring eBook Recommendations from Hatz 2m41z Parts Manual
 - Personalized Recommendations
 - Hatz 2m41z Parts Manual User Reviews and Ratings
 - Hatz 2m41z Parts Manual and Bestseller Lists
 5. Accessing Hatz 2m41z Parts Manual Free and Paid eBooks
 - Hatz 2m41z Parts Manual Public Domain eBooks
 - Hatz 2m41z Parts Manual eBook Subscription Services
 - Hatz 2m41z Parts Manual Budget-Friendly Options
 6. Navigating Hatz 2m41z Parts Manual eBook Formats
 - ePub, PDF, MOBI, and More
 - Hatz 2m41z Parts Manual Compatibility with Devices
 - Hatz 2m41z Parts Manual Enhanced eBook Features
 7. Enhancing Your Reading Experience
 - Adjustable Fonts and Text Sizes of Hatz 2m41z Parts Manual
 - Highlighting and Note-Taking Hatz 2m41z Parts Manual
 - Interactive Elements Hatz 2m41z Parts Manual
 8. Staying Engaged with Hatz 2m41z Parts Manual
 - Joining Online Reading Communities
 - Participating in Virtual Book Clubs
 - Following Authors and Publishers Hatz 2m41z Parts Manual

9. Balancing eBooks and Physical Books Hatz 2m41z Parts Manual
 - Benefits of a Digital Library
 - Creating a Diverse Reading Collection Hatz 2m41z Parts Manual
10. Overcoming Reading Challenges
 - Dealing with Digital Eye Strain
 - Minimizing Distractions
 - Managing Screen Time
11. Cultivating a Reading Routine Hatz 2m41z Parts Manual
 - Setting Reading Goals Hatz 2m41z Parts Manual
 - Carving Out Dedicated Reading Time
12. Sourcing Reliable Information of Hatz 2m41z Parts Manual
 - Fact-Checking eBook Content of Hatz 2m41z Parts Manual
 - Distinguishing Credible Sources
13. Promoting Lifelong Learning
 - Utilizing eBooks for Skill Development
 - Exploring Educational eBooks
14. Embracing eBook Trends
 - Integration of Multimedia Elements
 - Interactive and Gamified eBooks

Hatz 2m41z Parts Manual Introduction

In this digital age, the convenience of accessing information at our fingertips has become a necessity. Whether its research papers, eBooks, or user manuals, PDF files have become the preferred format for sharing and reading documents. However, the cost associated with purchasing PDF files can sometimes be a barrier for many individuals and organizations. Thankfully, there are numerous websites and platforms that allow users to download free PDF files legally. In this article, we will explore some of the best platforms to download free PDFs. One of the most popular platforms to download free PDF files is Project Gutenberg. This online library offers over 60,000 free eBooks that are in the public domain. From classic literature to historical documents, Project Gutenberg provides a wide range of PDF files that can be downloaded and enjoyed on various devices. The website is user-friendly and allows users to search for specific titles or browse through different categories. Another reliable platform for downloading Hatz 2m41z Parts Manual free PDF files is Open Library. With its vast collection of

over 1 million eBooks, Open Library has something for every reader. The website offers a seamless experience by providing options to borrow or download PDF files. Users simply need to create a free account to access this treasure trove of knowledge. Open Library also allows users to contribute by uploading and sharing their own PDF files, making it a collaborative platform for book enthusiasts. For those interested in academic resources, there are websites dedicated to providing free PDFs of research papers and scientific articles. One such website is Academia.edu, which allows researchers and scholars to share their work with a global audience. Users can download PDF files of research papers, theses, and dissertations covering a wide range of subjects. Academia.edu also provides a platform for discussions and networking within the academic community. When it comes to downloading Hatz 2m41z Parts Manual free PDF files of magazines, brochures, and catalogs, Issuu is a popular choice. This digital publishing platform hosts a vast collection of publications from around the world. Users can search for specific titles or explore various categories and genres. Issuu offers a seamless reading experience with its user-friendly interface and allows users to download PDF files for offline reading. Apart from dedicated platforms, search engines also play a crucial role in finding free PDF files. Google, for instance, has an advanced search feature that allows users to filter results by file type. By specifying the file type as "PDF," users can find websites that offer free PDF downloads on a specific topic. While downloading Hatz 2m41z Parts Manual free PDF files is convenient, it's important to note that copyright laws must be respected. Always ensure that the PDF files you download are legally available for free. Many authors and publishers voluntarily provide free PDF versions of their work, but it's essential to be cautious and verify the authenticity of the source before downloading Hatz 2m41z Parts Manual. In conclusion, the internet offers numerous platforms and websites that allow users to download free PDF files legally. Whether it's classic literature, research papers, or magazines, there is something for everyone. The platforms mentioned in this article, such as Project Gutenberg, Open Library, Academia.edu, and Issuu, provide access to a vast collection of PDF files. However, users should always be cautious and verify the legality of the source before downloading Hatz 2m41z Parts Manual any PDF files. With these platforms, the world of PDF downloads is just a click away.

FAQs About Hatz 2m41z Parts Manual Books

How do I know which eBook platform is the best for me? Finding the best eBook platform depends on your reading preferences and device compatibility. Research different platforms, read user reviews, and explore their features before making a choice. Are free eBooks of good quality? Yes, many reputable platforms offer high-quality free eBooks, including classics and public domain works. However, make sure to verify the source to ensure the eBook credibility. Can I read eBooks without an eReader? Absolutely! Most eBook platforms offer web-based readers or mobile apps that allow you to read

eBooks on your computer, tablet, or smartphone. How do I avoid digital eye strain while reading eBooks? To prevent digital eye strain, take regular breaks, adjust the font size and background color, and ensure proper lighting while reading eBooks. What the advantage of interactive eBooks? Interactive eBooks incorporate multimedia elements, quizzes, and activities, enhancing the reader engagement and providing a more immersive learning experience. Hatz 2m41z Parts Manual is one of the best book in our library for free trial. We provide copy of Hatz 2m41z Parts Manual in digital format, so the resources that you find are reliable. There are also many Ebooks of related with Hatz 2m41z Parts Manual. Where to download Hatz 2m41z Parts Manual online for free? Are you looking for Hatz 2m41z Parts Manual PDF? This is definitely going to save you time and cash in something you should think about.

Find Hatz 2m41z Parts Manual :

[maurische ornamente 2016 optikus kalender](#)

[maya textiles of guatemala the gustavus a eisen collection 1902](#)

[mazda 323 1988 1992 workshop service repair manual](#)

[maus comic book](#)

[matric study guide](#)

mazda b2300 repair manual 2004

mazda 5 premacy sport service repair manual 2005 2006 2007

[maytag commercial washer manual](#)

maytag dryer mde5500ayw repair manual

mazda 323 gtr workshop service repair manual supplement 1992 1

[max frisch the reluctant modernist](#)

[maytag neptune washer mah8700aww service manual](#)

[mazda 323 service repair manual 1990](#)

matric rewrite old syllabus 2016

[matlab 2013a manual-gui](#)

Hatz 2m41z Parts Manual :

[barcelona atlas histórico de arquitectura parramon méxico](#) - Feb 26 2022

web barcelona con su convulsa historia milenaria y su singular ubicación en el corredor mediterráneo constituye una ciudad

de compleja evolución urbanística idónea para ser revelada bajo el enfoque triple de este atlas histórico de arquitectura cronología con su exhaustivo recorrido por los hechos cruciales de la historia urbana distritos con la *architecture city guide barcelona archdaily* - Dec 07 2022

web jul 20 2011 published on july 20 2011 share this week with the help of our readers our architecture city guide is headed to barcelona we recently featured an engaging video where wiel arets half *barcelona atlas historico de arquitectura vv aa casa del* - Jan 08 2023

web sinopsis de barcelona atlas historico de arquitectura barcelona con su convulsa historia milenaria y su singular ubicación en el corredor mediterráneo constituye una ciudad de compleja evolución urbanística idónea para ser revelada bajo el enfoque triple de este atlas histórico de arquitectura

guía de arquitectura de barcelona 23 obras para visitar en la - Nov 06 2022

web jun 16 2019 7 la catedral de barcelona y el barrio gótico arquitecto desconocido ubicación pla de la seu s n año 1448 descripción la catedral de barcelona y el barrio gótico de los alrededores son una parte medieval de barcelona hermosamente conservada la catedral construida entre los siglos xiii y xv tardó unos 150 años en

arquitectura de barcelona wikipedia la enciclopedia libre - Mar 10 2023

web arquitectura de barcelona templo expiatorio de la sagrada familia de antoni gaudí declarado en 2005 patrimonio de la humanidad por la unesco es el monumento más visitado de barcelona 1 la arquitectura de barcelona ha tenido una evolución paralela a la del resto de la arquitectura catalana y española y ha seguido de forma diversa las

barcelona atlas histórico de arquitectura belliscovirtual - Apr 30 2022

web compra el libro barcelona atlas histórico de arquitectura diciembre de 2010 alejandro bahamon 23x29 cm cartóné código 4779 mejor precio garantizado

atlas histórico de arquitectura barcelona by manuel sanchez - Jul 14 2023

web mar 24 2011 atlas histórico de arquitectura barcelona by manuel sanchez issuu at b cubierta qxp barcelona con su convulsa historia milenaria y su singular ubicación en el corredor mediterráneo

barcelona atlas historico de arquitectura - Oct 05 2022

web sinopsis de barcelona atlas historico de arquitectura barcelona con su convulsa historia milenaria y su singular ubicación en el corredor mediterráneo constituye una ciudad de compleja evolución urbanística idónea para ser revelada bajo el enfoque triple de este atlas histórico de arquitectura

barcelonaatlashistoricodearquitectura 2022 old ariavara - Mar 30 2022

web barcelona españa 92 arquitectura y ciudad exposiciones internacionales y urbanismo the routledge handbook of urban studies in latin america and the caribbean atlas histórico de españa barcelona sesiones internacionales de arquitectura y

ciudad atlas historico geográfico y estadístico de españa y sus posesiones de ultramar acerca de
barcelona atlas historico de arquitectura - Jun 13 2023

web jun 1 2007 barcelona con su convulsa historia milenaria y su singular ubicación en el corredor mediterráneo constituye una ciudad de compleja evolución urbanística idónea para ser revelada bajo el enfoque triple de este atlas histórico de arquitectura

architecture of barcelona wikipedia - May 12 2023

web history during the modern age when the barcelona city was linked to the hispanic monarchy the main styles were the renaissance and the baroque developed from foreign styles coming from italy and france

barcelona atlas histórico de arquitectura amazon com tr - Aug 15 2023

web barcelona atlas histórico de arquitectura bahamon alejandro losantos agata amazon com tr kitap

barcelona atlas historico de arquitectura atlas histórico de - Apr 11 2023

web barcelona atlas historico de arquitectura atlas histórico de arquitectura bahamón alejandro losantos Àgata amazon es libros

barcelona atlas histórico de arquitectura amazon com br - Sep 04 2022

web compre online barcelona atlas histórico de arquitectura de bahamon alejandro losantos agata na amazon frete grátis em milhares de produtos com o amazon prime encontre diversos livros escritos por bahamon alejandro losantos agata

barcelona atlas historico de arquitectura pdf - Dec 27 2021

web text of barcelona atlas historico de arquitectura pdf page 1 arsuaga ana atlas historico de la edad media documents caso arquitectura pdf documents atlas historico mundial completo documents atlas historico bogota escovar a 2006 200 393 3 documents about us contact us

barcelona atlas historico de arquitectura by - Jul 02 2022

web barcelona con su convulsa historia milenaria y su singular ubicación en el corredor mediterrá barcelona atlas historico de arquitectura by alejandro

libro barcelona atlas historico de arquitectura descargar gratis - Aug 03 2022

web atlas historico de arquitectura online gratis pdf barcelona con su convulsa historia milenaria y su singular ubicación en el corredor mediterráneo constituye una ciudad de compleja evolución urbanística idónea para ser revelada bajo el enfoque triple de este atlas histórico de arquitectura

barcelona atlas histórico de arquitectura círculo cultural - Jan 28 2022

web formato libro físico autor alejandro bahamón ríos Àgata losantos viñolas editorial parramon año 2007 idioma español n páginas 140 encuadernación tapa dura isbn 8434229455 isbn13 9788434229457

barcelona atlas historico de arquitectura vv aa casa del - Feb 09 2023

web el libro barcelona atlas historico de arquitectura de vv aa en casa del libro descubre las mejores ofertas y envíos gratis

barcelona atlas historico de arquitectura - Jun 01 2022

web el presente volumen está estructurado en tres capítulos que ordenan la historia y la arquitectura de barcelona en tres escalas barcelona con su historia milenaria y su ubicación singular en el corredor mediterráneo constituye una

similar triangles date period kuta software - Sep 03 2022

web similar triangles kuta software infinite geometry similar triangles name date period state if the triangles in each pair are similar if so state how you know they are similar and complete the similarity statement 7

volumes of solids kuta software - Aug 02 2022

web volumes of solids date period find the volume of each figure round to the nearest tenth 1 2 yd 1 5 yd 4 yd 5 yd 4 yd 2 5 mi 4 mi 3 mi 5 mi 3 3 yd 3 yd esh rqegs6e mr8vhe cdy u 1 wmha rdge w lw niltlh c eiwnsf qifnri 6t 9ej cpurley gaaleg pe2b irqa n c worksheet by kuta software llc kuta software infinite pre algebra

kutasoftware geometry using similar polygons part 1 - Jan 27 2022

web dec 2 2017 subscribe 254 24k views 5 years ago kutasoftware geometry worksheets free worksheet at kutasoftware com freeigo go to maemap com math geometry for more

geometry worksheets kuta software - Oct 04 2022

web geometry worksheets just the free worksheets software that makes worksheets how it works

infinite algebra 1 kuta software - Apr 29 2022

web infinite algebra 1 covers all typical algebra material over 90 topics in all from adding and subtracting positives and negatives to solving rational equations suitable for any class with algebra content designed for all levels of learners

infinite calculus kuta software - Mar 29 2022

web infinite calculus covers all of the fundamentals of calculus limits continuity differentiation and integration as well as applications such as related rates and finding volume using the cylindrical shell method designed for all levels of learners from beginning to advanced limits by direct evaluation at jump discontinuities and kinks

topics covered by infinite geometry kuta software - Feb 08 2023

web infinite geometry covers all typical geometry material beginning with a review of important algebra 1 concepts and going through transformations there are over 85 topics in all from multi step equations to constructions suitable for any class with geometry content designed for all levels of learners from remedial to advanced

similar solids date period kuta software - Sep 15 2023

web 3 1 7 4 49 16 343 64 5 4 25 16 125 64 12 scale factor 4 9 sa 256 km² 1536 km³ sa 360 yd² v 1728 yd³ sa 1296 km² v

17496 km³ some information about the surface area and volume of two similar solids has been given find the missing value
13 solid 1 14 solid 1 3250 km³ 1216 yd³ 15 solid 1

kutasoftware geometry identifying solid figures youtube - Dec 06 2022

web show more free worksheet at kutasoftware com freeige go to maemap com math geometry for more geometry
information please support me

kutasoftware geometry similar solids part 1 youtube - Aug 14 2023

web kutasoftware geometry similar solids part 1 maemap 32 9k subscribers 5 8k views 5 years ago kutasoftware geometry
worksheets free worksheet at kutasoftware com freeige go

free printable math worksheets for geometry kuta software - Jun 12 2023

web created with infinite geometry stop searching create the worksheets you need with infinite geometry fast and easy to use
multiple choice free response never runs out of questions multiple version printing

similar polygons date period kuta software - Jan 07 2023

web kuta software infinite geometry name similar polygons date period state if the polygons are similar 1 14 10 14 10 21 15
21 15 similar 2 24 18 24 18 36 24 36 24 not similar 3 5 7 5 7 40 15 21 15 21 130 not similar 4 40 20 40 20 100 48 24 48 24
100 similar 5 9 1 8 9 1 14 16 7 10 16 7 21 not similar 6 12 4 20 12 4 28

kutasoftware geometry similar solids part 2 youtube - Feb 25 2022

web jan 12 2018 free worksheet at kutasoftware com freeige htmlgo to maemap com math geometry for more geometry
information please support me

10 more nets of solids kuta software - Nov 05 2022

web kuta software infinite geometry name more nets of solids date period identify each solid given its net br niog khxtzs 6 qr
hers ledr1vetdm 1 5 rm dadaes kwqipt rh1 fivnafnixn wiptpe9 6g ge7obmzektoraym b worksheet by kuta software llc sketch
the net of each solid label the measurements given 9 8 2 4 8 2

10 identifying solid figures kuta software - May 11 2023

web kuta software infinite geometry name identifying solid figures date period name each figure 1 pentagonal prism 2
triangular pyramid 3 trapezoidal prism 4 sphere 5 square prism 6 cone 7 rectangular pyramid 8 cylinder 1 y 12 h0t1 y1q
zkeurt cas msloeft 8w ga urxe s cl tl vca s q agl0ls yrti ygzhtwst fr

infinite geometry geometry similar solids and nets practice - Mar 09 2023

web worksheet by kuta software llc 4 answers to geometry similar solids and nets practice 1 213 4 ft² 334 4 ft² pentagonal
prism3 rectangular prism4 hexagonal prism 5 triangular prism6 triangular pyramid7 square pyramid8 rectangular pyramid 9
pentagonal pyramid10 cylinder11 cone12 cone 13 cylinder14 yes15 no

7 using similar polygons kuta software - Apr 10 2023

web kuta software infinite geometry name using similar polygons date period the polygons in each pair are similar find the missing side length 1 10 24 15 15 2 12 24 25 15 3 4 7 10 8 14 4 6 5 12 5 6 12 10 12 6 48 54 56 63 35 7 a 6 b scale factor from a to b 2 7 8 b 12 a

kuta software - Jul 01 2022

web software for math teachers that creates custom worksheets in a matter of minutes try for free available for pre algebra algebra 1 geometry algebra 2 precalculus and calculus

infinite pre algebra kuta software - May 31 2022

web infinite pre algebra covers all typical pre algebra material over 90 topics in all from arithmetic to equations to polynomials suitable for any class which is a first step from arithmetic to algebra designed for all levels of learners from remedial to advanced integers decimals and fractions

infinite geometry kuta software - Jul 13 2023

web test and worksheet generator for geometry infinite geometry covers all typical geometry material beginning with a review of important algebra 1 concepts and going through transformations there are over 85 topics in all from multi step equations to constructions suitable for any class with geometry content

weirdest stories by paul jennings penguin books australia - Dec 31 2021

web oct 30 2006 to celebrate 20 years of stories by paul jennings penguin has put together collections of his work hand picked by paul each book contains around 25 stories from the uncollected series and tongue tied

paul jennings funniest stories by paul jennings goodreads - Sep 20 2023

web apr 25 2007 paul jennings funniest stories 3 94 486 ratings 35 reviews since unreal was published in 1985 paul jennings has written over 100 stories and sold over 7 million copies of his books to celebrate 20 years of stories by paul jennings penguin has put together a collection of his funniest work

funniest stories by paul jennings penguin books australia - Apr 15 2023

web oct 24 2005 since unreal was published in 1985 paul jennings has written over 100 stories and sold over 7 million copies of his books to celebrate 20 years of stories by paul jennings penguin has put together a collection of his funniest work hand picked by paul each book contains around 25 stories from the uncollected series and tongue tied

paul jennings penguin books australia - Jun 17 2023

web the ultimate collection 30 stories in 30 years paul jennings the many adventures of singenpoo paul jennings the nest paul jennings trickiest stories paul jennings the reading bug and how you can help paul jennings spookiest stories paul jennings paul jennings s spookiest stories paul jennings rascal takes off

[unseen jennings paul 1943 free download borrow and](#) - Apr 03 2022

web jennings paul 1943 publication date 1998 topics short stories australian 20th century horror tales horror tales short stories australian publisher ringwood vic puffin collection inlibrary printdisabled internetarchivebooks contributor internet archive language english 103 pages 18 cm

paul jennings is one of australia s most beloved children s - Jun 05 2022

web oct 7 2020 the rejection letter memoirs are tricky things to write jennings confesses at 77 he has just released his own titled untwisted the story of my life i think it s the most difficult book i ve ever written he said this week it charts his life and deals with facts but he approached it more like a novel

paul jennings funniest stories jennings paul 1943 free - Feb 01 2022

web hand picked by paul this book contains twenty five of the funniest stories from the uncollected series and from tongue tied for children 10 lucky lips tongue tied spaghetti pig out smart ice cream one shot toothpaste a mouthful cow dung custard licked the gumleaf war yuggles pubic hare moonies smelly feat

[17 paul jennings books that shaped the 90s phasr](#) - May 04 2022

web jul 11 2023 1 the gizmo the paul jennings phenomenon began in the 80s but this book truly cements jennings as the absolute master of aussie madness the gizmo stars protagonist stephen who steals a gizmo which starts to pay him back in a hilarious maddening of true slap stick furore 2

[unbelievable uncollected by paul jennings goodreads](#) - Jul 06 2022

web nine stories deal with rejuvenation a giant tooth a dragon a ghostly test a loyal dog a comic book hero a magic tree a ghost gull and a supernatural servant genres short stories childrens fiction humor young adult fantasy australia more 120 pages paperback first published january 1 1985 book details editions about the author

paul jennings spookiest stories by paul jennings goodreads - May 16 2023

web oct 1 2007 paul jennings spookiest stories 3 96 325 ratings 20 reviews since unreal was published in 1985 paul jennings has written over 100 stories and sold over 7 5 million copies of his books to celebrate 20 years of stories by paul jennings penguin has put together collections of his work

paul jennings funniest stories paul jennings google books - Mar 14 2023

web to celebrate 20 years of stories by paul jennings penguin has put together a collection of his funniest work hand picked by paul each book contains around 25 stories from the

home pauljennings com au - Jul 18 2023

web welcome to my world of stories keyhole illustration by peter gouldthorpe release 1st february 2023 untwisted hard back paper back home awards and statistics kids awards adult awards list of titles me and my writing my biography faqs my idea

book writing tips my writing titles latest releases short
[undone short story collection wikipedia](#) - Dec 11 2022

web undone is the seventh in a series of collections of short stories by australian author paul jennings it was first released in 1993 and was the first book in the series not to have any short stories be adapted into an episode of round the twist the stories batty moonies

trickiest stories by paul jennings penguin books australia - Nov 29 2021

web sep 29 2008 to celebrate over twenty years of stories by paul jennings penguin has put together collections of his work hand picked by paul each book contains 20 25 stories from the uncollected series tongue tied and the super diaries
paul jennings funniest stories austlit discover australian stories - Aug 19 2023

web 1 lucky lips paul jennings children s fiction children s humour p 1 14 2 tongue tied paul jennings children s fiction children s humour p 15 21 3 spaghetti pig out paul jennings children s fiction children s p 22 40 4 smart ice cream paul jennings children s fiction children s humour p 41 47 5

paul jennings australian author wikipedia - Oct 21 2023

web paul jennings am born 30 april 1943 is an english born australian writer for children young adults and adults he is best known for his short stories that lead the reader through an unusual series of events and end with a twist
paul jennings trickiest stories by paul jennings goodreads - Oct 09 2022

web sep 29 2008 to celebrate over twenty years of stories by paul jennings penguin has put together collections of his work hand picked by paul each book contains 20 25 stories from the uncollected series tongue tied and the super diaries
[paul jennings weirdest stories by paul jennings goodreads](#) - Nov 10 2022

web oct 30 2006 since unreal was published in 1985 paul jennings has written over 100 stories and sold over 7 million copies of his books to celebrate 20 years of stories by paul jennings penguin has put together collections of his work hand picked by paul each book contains around 25 stories from the uncollected series and tongue tied
children s author paul jennings reflects on childhood success - Mar 02 2022

web apr 8 2023 as he nears 80 acclaimed children s author paul jennings reflects on life his writing process luminous teeth and why it s so important to write books that kids actually want to read
paul jennings fantastic fiction - Sep 08 2022

web 1 the paw thing 1989 2 singenpoo strikes again 1998 3 singenpoo shoots through 2000 4 singenpoo s secret weapon 2001 singenpoo collection 2015 gizmo 1 the gizmo 1995 2 the gizmo again 1995 3 come back gizmo 1997 4 sink the gizmo 1998 wicked with morris gleitzman 1 the slobberers 1997 2 battering rams

unbelievable short story collection wikipedia - Jan 12 2023

web unbelievable is the second in a series of collections of short stories by australian author paul jennings it was first released in 1987 the stories pink bow tie

uncovered short story collection wikipedia - Aug 07 2022

web uncovered is the eighth in a series of collections of short stories by australian author paul jennings it was first released in 1995 the stories for ever a deliberately humorless melancholic drama about a terminally ill boy tim who

paul jennings book list fictiondb - Feb 13 2023

web since unreal was published in 1985 paul jennings has written over 100 stories and sold over 7 5 million copies of his books to celebrate 20 years of stories by paul jennings penguin has put together collections of his work hand picked by paul ea