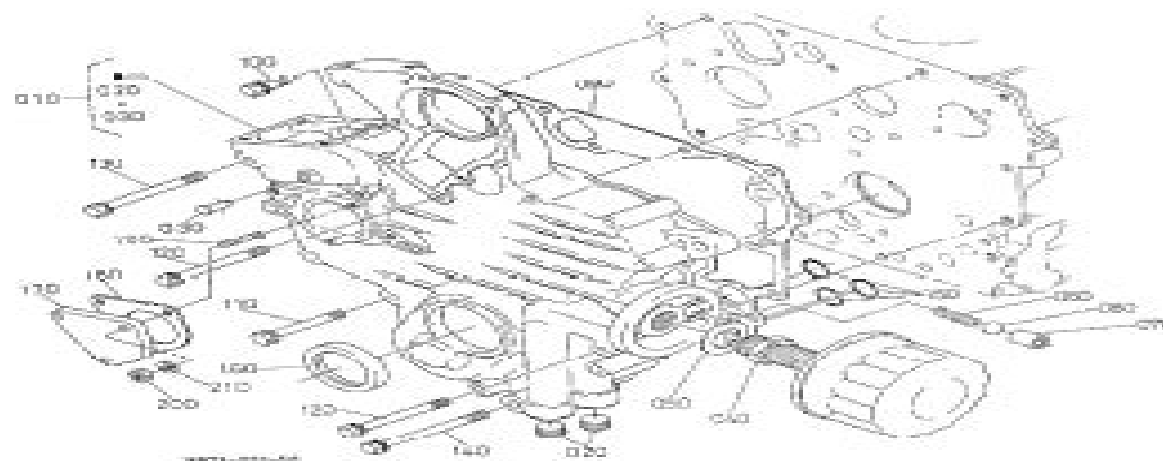


0004

**GEAR CASE
CARTER DE DISTRIBUTION
GETRIEBEGEHAUSE**


A:DT22-ERR-EC-STD-2

ILL. NO. FIG. N°	PART NO. REFERENCE BEZELL-Nr.	PART NAME	DESIGNATION	BEZEICHNUNG	STUDOLC No.		I. C.	SPARTELS REMARKS BEMERKUNGEN
					A	B		
010	16889-0402-0	CRWP. CASE, GEAR	CARTER DISTR. COMP.	KMP. GETRIEBEGEHAUSE	1	-		
020	16851-9601-0	FLIE	BOUCHON	STÖPFEN	2	-		
030	15841-5628-0	PIN, START SPRING	GOUPILLE DU RESSORT	STARTFEDERSTIFT	1	-		
040	15241-3229-0	JOINT, PIPE	RACCORD DE TIRAGE	VERBINDUNGSSTUECK	1	-		
050	15841-9401-0	WASHER, PLAIN	RONDELLE FREIN	SCHLEIBE	1	-		
060	16851-3695-0	SPRING	RESSORT	FEDER	1	-		
070	15841-3693-0	SEAT, VALVE	SIEGE DE SOUPEPE	SITZ, VENTIL	1	-		
080	07715-03211	BALL	BIJULE	KUGEL	1	-		
090	15862-0413-2	GASKET, GEAR CASE NR	JOINT DE CARTER-015.	DICHTUNG, GETR. GET	1	-		
100	01023-60618	BOLT	VIS	BOLZEN	1	-		
110	01023-60650	BOLT	VIS	BOLZEN	8	-		
120	15841-0101-0	BOLT	VIS	BOLZEN	5	-		
130	01023-60670	BOLT	VIS	BOLZEN	1	-		
140	01023-60675	BOLT	VIS	RAU 7FN	1	-		
150	04814-08130	O RING	JOINT TORIQUE	O RING	3	-		
160	15877-0414-0	SEAL, OIL	BASE, JOINT	ÖLDICHTUNGSRING	1	-		
170	19461-8334-0	COVER	COUVERCLE	DECKEL	1	-		
180	10461-8813-2	GASKET, H/W GEAR CASE	JOINT	DICHTUNG	1	-		
190	15271-8821-0	STUD	GOIJON	STIEHBOLEN	3	-		
200	02056-50060	NUT	ECROU	MUTTER	3	-		
210	04512-60060	WASHER, SPRING	RONDELLE GRWDR	FEDERRING	3	-		

↔ Interchangeable; ↗ not interchangeable; 0 - new for old; → old for new

Kubota D722 Engines Manuals

Jiyuan Zhang



Kubota D722 Engines Manuals:

Hot Line Farm Equipment Guide Quick Reference Guide ,2008 *Hot Line Compact Tractor Guide Volume X 2012* ,2014

Field & Stream ,2005-08 FIELD STREAM America s largest outdoor sports magazine celebrates the outdoor experience with great stories compelling photography and sound advice while honoring the traditions hunters and fishermen have passed down for generations Field and Stream ,2005 **Diesel & Gas Turbine Catalog** ,1990 Diesel Engine Manual Perry O. Black,William E. Scahill,1983 Three, Four and Six Cylinder Series 71 Two-cycle Diesel Engines Maintenance Manual ,1947 *Engine Service Manual* O and R Engines, Incorporated,1969 **Operator's Manual** ,1990

Technical Manual ,1941 *Toyota 2f Engine Repair Manual* Toyota Corporation,2006-01-01 Factory engine repair manual for the iconic 2F petrol gasoline engine as fitted to the Toyota 40 55 and 60 Series four wheel drive vehicles This repair manual has been prepared to provide information covering general repair for 2F Gasoline engine as fitted to the TOYOTA LAND CRUISER Per Toyota Motor Sales Co LTD The Toyota 2F engine was one of the F series of OHV inline 6 cylinder engines produced by Toyota between 1955 1992 F Series engines are known for their high amount of torque at low RPM massive cast iron blocks and heads and also their high reliability The 2F Engine had one of the longest production runs of any Toyota engine The F Series engines all incorporate overhead valves actuated by pushrods from a gear driven camshaft in the lower portion of the engine The engine was first introduced in the Toyota FJ40 Land Cruiser and in many countries was the only gasoline engine offered in the Landcruiser until 1993 Although it s commonly badged as the Land Cruiser engine it was used in a variety of other large truck applications as well such as in fire trucks and the Toyota FQ15 trucks It was also used in the Crown based Japanese Police Patrol Cars FH26 and FS20 FS50 *Maintenance Manual for General Motors Diesel Engines* General Motors Corporation. Cleveland Diesel Engine Division,1955 *Workshop Manual for 4,270 Diesel Engines* Perkins Engines Limited. Service Division,196? *Diesel Engine Manual ...* Edward Molloy,1955 **Operator's Instruction Manual and Repair Parts List, Series "R" Engines** Hill diesel engine company, **Diesel Engine, Series 110** General Motors Corporation. Detroit Diesel Engine Division,1956 *Two-cycle Diesel Engine, Series 71* General Motors Corporation. Detroit Diesel Engine Division,1941 Diesel Engine Manual ... Prepared ... Under the Direction of E. Molloy, Etc Edward Molloy,1950 *Workshop Manuals for Diesel Engines* Perkins Engines Limited,Peterborough (England),1957 Chilton's Truck Repair Manual Chilton Book Company. Automotive Editorial Department,1974

Embark on a breathtaking journey through nature and adventure with Explore with is mesmerizing ebook, Witness the Wonders in **Kubota D722 Engines Manuals** . This immersive experience, available for download in a PDF format (PDF Size: *), transports you to the heart of natural marvels and thrilling escapades. Download now and let the adventure begin!

<http://www.armchairempire.com/data/browse/Documents/introduction%20to%20communication%20disorders%20a%20lifesp an%20evidence%20based%20perspective%20loose%20leaf%20version%205th%20edition.pdf>

Table of Contents Kubota D722 Engines Manuals

1. Understanding the eBook Kubota D722 Engines Manuals
 - The Rise of Digital Reading Kubota D722 Engines Manuals
 - Advantages of eBooks Over Traditional Books
2. Identifying Kubota D722 Engines Manuals
 - Exploring Different Genres
 - Considering Fiction vs. Non-Fiction
 - Determining Your Reading Goals
3. Choosing the Right eBook Platform
 - Popular eBook Platforms
 - Features to Look for in an Kubota D722 Engines Manuals
 - User-Friendly Interface
4. Exploring eBook Recommendations from Kubota D722 Engines Manuals
 - Personalized Recommendations
 - Kubota D722 Engines Manuals User Reviews and Ratings
 - Kubota D722 Engines Manuals and Bestseller Lists
5. Accessing Kubota D722 Engines Manuals Free and Paid eBooks
 - Kubota D722 Engines Manuals Public Domain eBooks
 - Kubota D722 Engines Manuals eBook Subscription Services
 - Kubota D722 Engines Manuals Budget-Friendly Options

6. Navigating Kubota D722 Engines Manuals eBook Formats
 - ePub, PDF, MOBI, and More
 - Kubota D722 Engines Manuals Compatibility with Devices
 - Kubota D722 Engines Manuals Enhanced eBook Features
7. Enhancing Your Reading Experience
 - Adjustable Fonts and Text Sizes of Kubota D722 Engines Manuals
 - Highlighting and Note-Taking Kubota D722 Engines Manuals
 - Interactive Elements Kubota D722 Engines Manuals
8. Staying Engaged with Kubota D722 Engines Manuals
 - Joining Online Reading Communities
 - Participating in Virtual Book Clubs
 - Following Authors and Publishers Kubota D722 Engines Manuals
9. Balancing eBooks and Physical Books Kubota D722 Engines Manuals
 - Benefits of a Digital Library
 - Creating a Diverse Reading Collection Kubota D722 Engines Manuals
10. Overcoming Reading Challenges
 - Dealing with Digital Eye Strain
 - Minimizing Distractions
 - Managing Screen Time
11. Cultivating a Reading Routine Kubota D722 Engines Manuals
 - Setting Reading Goals Kubota D722 Engines Manuals
 - Carving Out Dedicated Reading Time
12. Sourcing Reliable Information of Kubota D722 Engines Manuals
 - Fact-Checking eBook Content of Kubota D722 Engines Manuals
 - Distinguishing Credible Sources
13. Promoting Lifelong Learning
 - Utilizing eBooks for Skill Development
 - Exploring Educational eBooks
14. Embracing eBook Trends
 - Integration of Multimedia Elements

- Interactive and Gamified eBooks

Kubota D722 Engines Manuals Introduction

Kubota D722 Engines Manuals Offers over 60,000 free eBooks, including many classics that are in the public domain. Open Library: Provides access to over 1 million free eBooks, including classic literature and contemporary works. Kubota D722 Engines Manuals Offers a vast collection of books, some of which are available for free as PDF downloads, particularly older books in the public domain. Kubota D722 Engines Manuals : This website hosts a vast collection of scientific articles, books, and textbooks. While it operates in a legal gray area due to copyright issues, its a popular resource for finding various publications. Internet Archive for Kubota D722 Engines Manuals : Has an extensive collection of digital content, including books, articles, videos, and more. It has a massive library of free downloadable books. Free-eBooks Kubota D722 Engines Manuals Offers a diverse range of free eBooks across various genres. Kubota D722 Engines Manuals Focuses mainly on educational books, textbooks, and business books. It offers free PDF downloads for educational purposes. Kubota D722 Engines Manuals Provides a large selection of free eBooks in different genres, which are available for download in various formats, including PDF. Finding specific Kubota D722 Engines Manuals, especially related to Kubota D722 Engines Manuals, might be challenging as theyre often artistic creations rather than practical blueprints. However, you can explore the following steps to search for or create your own Online Searches: Look for websites, forums, or blogs dedicated to Kubota D722 Engines Manuals, Sometimes enthusiasts share their designs or concepts in PDF format. Books and Magazines Some Kubota D722 Engines Manuals books or magazines might include. Look for these in online stores or libraries. Remember that while Kubota D722 Engines Manuals, sharing copyrighted material without permission is not legal. Always ensure youre either creating your own or obtaining them from legitimate sources that allow sharing and downloading. Library Check if your local library offers eBook lending services. Many libraries have digital catalogs where you can borrow Kubota D722 Engines Manuals eBooks for free, including popular titles. Online Retailers: Websites like Amazon, Google Books, or Apple Books often sell eBooks. Sometimes, authors or publishers offer promotions or free periods for certain books. Authors Website Occasionally, authors provide excerpts or short stories for free on their websites. While this might not be the Kubota D722 Engines Manuals full book , it can give you a taste of the authors writing style. Subscription Services Platforms like Kindle Unlimited or Scribd offer subscription-based access to a wide range of Kubota D722 Engines Manuals eBooks, including some popular titles.

FAQs About Kubota D722 Engines Manuals Books

How do I know which eBook platform is the best for me? Finding the best eBook platform depends on your reading preferences and device compatibility. Research different platforms, read user reviews, and explore their features before making a choice. Are free eBooks of good quality? Yes, many reputable platforms offer high-quality free eBooks, including classics and public domain works. However, make sure to verify the source to ensure the eBook credibility. Can I read eBooks without an eReader? Absolutely! Most eBook platforms offer web-based readers or mobile apps that allow you to read eBooks on your computer, tablet, or smartphone. How do I avoid digital eye strain while reading eBooks? To prevent digital eye strain, take regular breaks, adjust the font size and background color, and ensure proper lighting while reading eBooks. What the advantage of interactive eBooks? Interactive eBooks incorporate multimedia elements, quizzes, and activities, enhancing the reader engagement and providing a more immersive learning experience. Kubota D722 Engines Manuals is one of the best book in our library for free trial. We provide copy of Kubota D722 Engines Manuals in digital format, so the resources that you find are reliable. There are also many Ebooks of related with Kubota D722 Engines Manuals. Where to download Kubota D722 Engines Manuals online for free? Are you looking for Kubota D722 Engines Manuals PDF? This is definitely going to save you time and cash in something you should think about.

Find Kubota D722 Engines Manuals :

~~introduction to communication disorders a lifespan evidence based perspective loose leaf version 5th edition~~

~~introduction to the practice of statistics 7th edition solution manual~~

~~introduction to the personal software process sm watts s humphrey~~

~~introduction to hydraulics hydrology solutions manual~~

introduction to statistics fundamental concepts and procedures of data analysis

~~introduction to ocean sciences 2nd edition part 3 douglas a segar~~

~~introduction to operations research solutions manual ninth edition~~

~~introduction to physical science study guide reinforcement answer key~~

~~introduction to general organic and biochemistry 7th edition~~

~~introduction to mathematical programming solution manual~~

introduction to statistical mechanics

~~introduction to black studies~~

~~introduction to modern astrophysics solution manual~~

introduction to thermal physics solutions manual schroeder
introduction to dynamics and control of flexible structures aiaa education series

Kubota D722 Engines Manuals :

250 Cases in Clinical Medicine 250 Cases in Clinical Medicine. 4th Edition. ISBN-13: 978-0702033865, ISBN-10 ... A new, fully updated edition of Baliga's very popular collection of short cases ... 250 Cases in Clinical Medicine (MRCP Study Guides) 250 Cases in Clinical Medicine (MRCP Study Guides): 9780702074554: Medicine & Health Science Books @ Amazon.com. 250 Cases in Clinical Medicine International Edi: 6th edition Sep 5, 2023 — This unique book presents a wealth of information on common presentations and illnesses, presented as medical case studies. 250 Cases in Clinical Medicine by R R Baliga ISBN: 9780702033858 - 4th Edition - Soft cover - Elsevier - Health Sciences Division - 2012 - Condition: New - New - New, US Edition, 4th Edition . 250 Cases in Clinical Medical (Fourth Edition ... 250 Cases in Clinical Medical (Fourth Edition). by Ragavendra R Baliga. New; Paperback. Condition: New; ISBN 10: 0702033855; ISBN 13: 9780702033858; Seller. 250 Cases in Clinical Medicine, 6th Edition - Elsevier Health This unique book presents a wealth of information on common presentations and illnesses, presented as medical case studies. download book 250 cases in clinical medicine 4th edition pdf Download Book 250 Cases In Clinical Medicine 4th Edition Pdf · Home · THE ENCYCLOPAEDIA OF ISLAM NEW EDITION, GLOSSARY AND INDEX OF TERMS To Volumes 1-9 And To ... 250 Cases in Clinical Medical (Fourth Edition) 250 Cases in Clinical Medical (Fourth Edition). by Ragavendra R Baliga. New; Paperback. Condition: New; ISBN 10: 0702033855; ISBN 13: 9780702033858; Seller. SOLUTION: 250 cases in clinical medicine 4th edition For this writing assignment you will be reading several excerpts from the debate leading up to the 1924 Immigration Act, which established a quota system that ... 250 Cases in Clinical Medicine (IE), 4e - ABC Books Medicine, Publisher: Elsevier, Publication Year: 2011, Cover: Paperback, Dimensions: 381x508x279.4mm. Now in its fourth edition, this portable, versatile and ... Storage and Distribution Certification Jul 15, 2021 — The Standard is specifically designed for logistics operations dealing with Food, Packaging, and Consumer Products. It is easy to understand, ... Storage and Distribution Storage and Distribution Issue 4. Background to development of S&D Issue 4 Standard. The consultation and review of emerging new concerns identified ... BRCGS Standard for Storage and Distribution The BRCGS Storage and Distribution standard is specifically designed for logistics operations dealing with food, beverage, packaging, and/ or consumer products. BRC Global Standard - Storage and Distribution Aug 30, 2006 — The Standard is applicable to all forms of transportation. Storage and distribution is the link between all stages of the product supply chain ... BRCGS Storage & Distribution BRCGS Storage & Distribution is an internationally recognized standard that lets you sell your logistic services with confidence. Demonstrate the safety, ... BRCGS Storage & Distribution Issue 4 Summarized Apr 26, 2022 — The BRCGS Storage and Distribution Standard Issue 4, released in 2020, is a

compilation of best practices that enables a continuous improvement ... BRCGS Storage and Distribution The Standard is specifically designed for logistics operations dealing with food, packaging, and consumer Products. It is fully flexible as operations can ... BRCGS Global Standard for Storage & Distribution and IFS ... Certification to BRCGS global standard for storage & distribution and IFS Logistics by an independent third-party is a requirement of most retailers and brand ... IFSQN BRC Storage and Distribution Quality Management ... This is an ideal package for Storage and Distribution companies looking to meet International Quality and Safety Standards. This manual meets the requirements ... BRC Global Standard for Storage and Distribution The BRC Global Standard for Food and Distribution covers all of the activities that can affect the safety, quality, and legality of food, packaging and consumer ... Ford 601 Service Manual This is a Service Manual for the Ford 601 with 422 pages of important information pertaining to your Ford tractor. Full Description: 601 Gas, LP and Diesel ... Ford 601 & 801 Series Tractors - Owner's Manual - 1957.pdf www.ntractorclub.com. Page 2. www.ntractorclub.com. Page 3. www.ntractorclub.com. Page 4. www.ntractorclub.com. Page 5. www.ntractorclub.com. Page 6 ... Service Manual for Ford 600 900 601 1801 Tractor Repair ... Buy Service Manual for Ford 600 900 601 1801 Tractor Repair Shop Gas & Diesel: Spare & Replacement Parts - Amazon.com □ FREE DELIVERY possible on eligible ... Ford Service Manual - Tractor Oct 17, 2018 — Ford Service Manual - Tractor Series 600, 700, 800, 900, 501, 601, 701, 801, 901, 1801, 2000, and 4000 1954 - 1964. Manual for Ford 601 Workmaster model 681? Jun 14, 2002 — Order Ford 601 Parts Online · Discussion Forums >. Tractors >. Manual ... We have the parts you need to repair your tractor - the right parts. Ford 601 Tractor Service Manual (1957-1962) This Ford model 601 Gas, LP and Diesel Tractor Service Manual is a digitally enhanced reproduction of the original manufacturer-issued Shop Manual. This manual ... Ford 611 621 631 641 651 661 Workmaster Tractor ... Full Troubleshooting/Repair/Overhaul instructions for Gas and Diesel Tractors All 601 Series Tractors Complete manual for all components on the entire ... Ford Shop Manual Series 501 600 601 700 701 + (Fo-20) With a Haynes manual, you can do-it-yourself...from simple maintenance to basic repairs. Haynes writes every book based on a complete teardown of the ... Ford 600 700 800 900 601 701 801 901 1801 Tractor ... Thick, comprehensive manual.....Most complete and up-to-date original equipment manufacturers manual available. Includes all revisions if available. Free ... Ford 601 Tractor Service Manual (IT Shop) This I&T manual has 144 pages. Includes wiring diagrams for all models. This manual covers the following models. MODELS COVERED. FORD NEW HOLLAND SERIES. 1801, ...