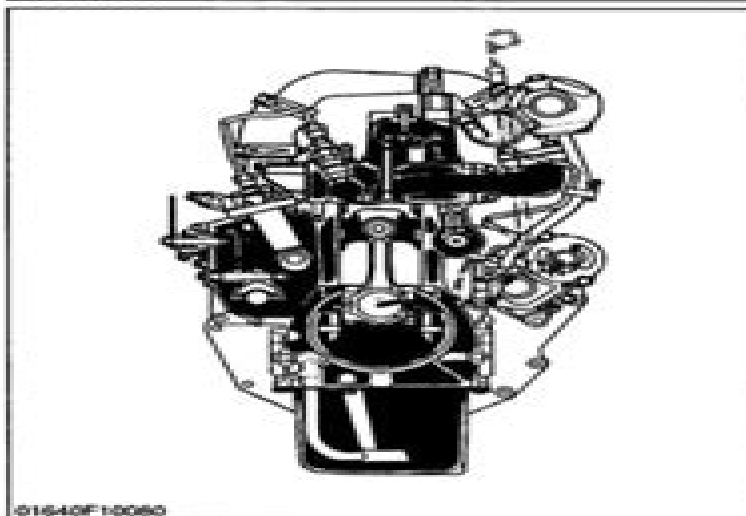
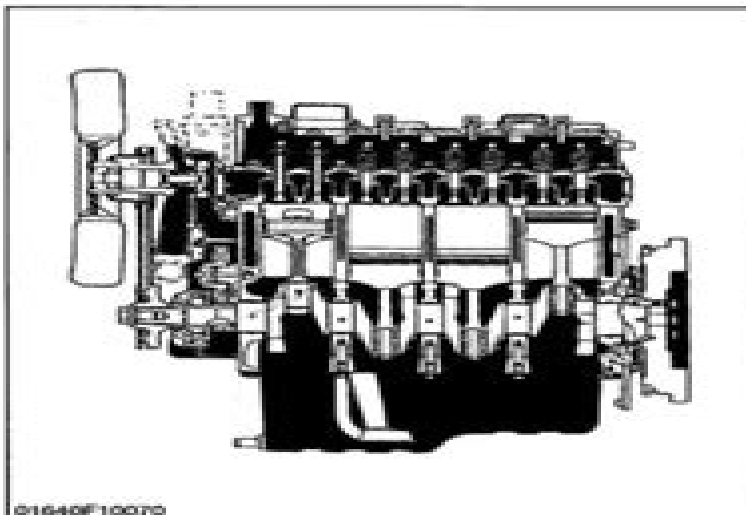


## F FEATURE



The 05 SERIES ENGINE are vertical, water-cooled, 4 cycle diesel engines.

They are incorporated KUBOTA's foremost technologies. With KUBOTA's E-TVCS (Three Vortex Combustion System), well-known Bosch MD type injection pump and the well-balanced designs, they give greater power, low fuel consumption, little vibration and quiet operation.

### ■ NOTE

- Since January 1994, E-TVCS has been used for the combustion chamber of our products instead of traditional N-TVCS.

E-TVCS was developed with an eye toward clean exhaust gas which is more environmentally friendly.

The combustion chamber models mentioned hereinafter refers to E-TVCS.

Model of combustion chamber :

N-TVCS

(Engine Serial Number ; 489290 or lower)

E-TVCS

(Engine Serial Number ; 489291 or higher)

# Kubota V1505 B V1505 T B Workshop Repair Service Manual

**Volkswagen of America**



## **Kubota V1505 B V1505 T B Workshop Repair Service Manual:**

*HM VW 1200 Beetle 1954-1977 All Models 1192cc* Haynes, Haynes Publishing, 2013-02 A maintenance repair manual for the DIY mechanic *Volkswagen Workshop Manual Types 11, 14, and 15: 1952-1957* Volkswagen of America, 1998-01-01 Now available after being out of print for nearly 40 years a vintage reprint of original air cooled Volkswagen repair information for all Volkswagen Type I Beetle and Karmann Ghia models sold in the USA and Canada This historical archive edition covers procedures for routine maintenance troubleshooting repair and rebuilding Air cooled Volkswagens Type 11 14 15 covered Volkswagen Type 11 Beetle Sedan Volkswagen Type 14 Karmann Ghia Coupe Volkswagen Type 15 Beetle Convertible Engines covered in this Volkswagen repair manual Volkswagen Air cooled Type 1 upright engine 1131cc 25hp Volkswagen Air cooled Type 1 upright engine 1192cc 36hp from January 1954 Volkswagen Air cooled Type 1 upright engine 1192cc 36hp from August 1955 Transmissions covered in this Volkswagen repair manual Volkswagen Standard with non synchronized crash box transmission Volkswagen De Luxe with 2nd 3rd and 4th gear synchronized transmission Technical highlights Engine and cylinder head service repair and reconditioning including bench testing procedures and specifications for 25hp and 36hp motors Solex 28 PCI carburetor and Solex fuel pump troubleshooting rebuilding and adjustment Transmission removal rebuilding and adjustment including special needle bearings on synchromesh transmissions Frame floor and body panel repair All measurements and detailed cutting alignment and welding instructions Painting preparation and procedures Body repair and replacement procedures including the sliding fabric sunroof and convertible top Complete wiring diagrams All factory changes and updates are noted in the text by manufacturing date chassis number engine number and part number Full explanations of the operation of all systems with exploded views cutaways and diagrams Required workshop equipment tools and equipment for local manufacture listings Troubleshooting tables for clutch carburetor fuel pump steering brakes generator starter and wipers Maintenance and lubrication charts and procedures *VW Owners Workshop Manual* Ian Coomber, 1988 Models covered Volkswagen Passat Saloon Hatchback inc GT Estate including limited edition models 1588 cc 1595 cc 1781 cc 1921 cc 1994 cc Volkswagen Santana Saloon 1595 cc 1781 cc 1921 cc 1994 cc Does not cover Diesel engine models or Series 3 Passat range introduced May 1988 *VW Beetle 1303 Owner's Workshop Manual* J. H. Haynes, 2013-04 This manual helps VW Beetle 1303 owners maintain and service their vehicle [Volvo 440, 460 and 480 Owners Workshop Manual](#) A. K. Legg, 1993 *VW Owners Workshop Manual* Peter G. Strasman, 1987 Models with petrol engines Does NOT cover bodies conversions produced by specialist manufacturers Does NOT cover 4x4 models Petrol 2 0 litre 1984cc 2 4 litre 2384cc *Volkswagen 1200 (Type 11, 14, 15) Workshop Manual 1961, 1962, 1963, 1964 1965* Volkswagen of America, 2012-03-01 The Volkswagen 1200 Workshop Manual 1961 1965 covers the 1961 through 1965 model year Beetle and Karman Ghia models Now available in a high quality hardcover edition this is a vintage reproduction of original Volkswagen service and repair information for air cooled Volkswagen 1200 models sold in the USA and Canada

This technical archive edition is a historical record of the illustrations and procedures for routine maintenance troubleshooting repair and rebuilding Air cooled Volkswagens Type 11 14 15 covered Volkswagen Type 11 Beetle Sedan Volkswagen Type 14 Karmann Ghia Coupe Volkswagen Type 15 Beetle Convertible Volkswagen Type 141 Karmann Ghia Convertible Engines covered Volkswagen air cooled type 1 upright engine 1192cc 36hp Transmissions covered Volkswagen fully synchronized 4 speed manual transmission **VW Owners Workshop Manual** Ian Coomber,1984-01-01 **Volvo Service Manual Repair Instructions** ,1975 [VW Owners Workshop Manual](#) Ian Coomber,1987-01-01 **Volvo 240 Series Owners Workshop Manual** John Harold Haynes,Bruce Gilmour (Writer on automobile repair),1978 *VW Golf and Jetta ('84 to '88) Owners Workshop Manual* Ian Commber,1988-01-01

This is likewise one of the factors by obtaining the soft documents of this **Kubota V1505 B V1505 T B Workshop Repair Service Manual** by online. You might not require more mature to spend to go to the book establishment as competently as search for them. In some cases, you likewise reach not discover the notice Kubota V1505 B V1505 T B Workshop Repair Service Manual that you are looking for. It will extremely squander the time.

However below, in imitation of you visit this web page, it will be thus totally simple to acquire as without difficulty as download lead Kubota V1505 B V1505 T B Workshop Repair Service Manual

It will not acknowledge many get older as we notify before. You can get it even though affect something else at house and even in your workplace. fittingly easy! So, are you question? Just exercise just what we come up with the money for below as with ease as evaluation **Kubota V1505 B V1505 T B Workshop Repair Service Manual** what you considering to read!

[http://www.armchairempire.com/files/detail/HomePages/Mcgraw\\_Hill\\_Connect\\_Prescotts\\_Microbiology\\_Answers\\_Key.pdf](http://www.armchairempire.com/files/detail/HomePages/Mcgraw_Hill_Connect_Prescotts_Microbiology_Answers_Key.pdf)

## **Table of Contents Kubota V1505 B V1505 T B Workshop Repair Service Manual**

1. Understanding the eBook Kubota V1505 B V1505 T B Workshop Repair Service Manual
  - The Rise of Digital Reading Kubota V1505 B V1505 T B Workshop Repair Service Manual
  - Advantages of eBooks Over Traditional Books
2. Identifying Kubota V1505 B V1505 T B Workshop Repair Service Manual
  - Exploring Different Genres
  - Considering Fiction vs. Non-Fiction
  - Determining Your Reading Goals
3. Choosing the Right eBook Platform
  - Popular eBook Platforms
  - Features to Look for in an Kubota V1505 B V1505 T B Workshop Repair Service Manual
  - User-Friendly Interface
4. Exploring eBook Recommendations from Kubota V1505 B V1505 T B Workshop Repair Service Manual

- Personalized Recommendations
  - Kubota V1505 B V1505 T B Workshop Repair Service Manual User Reviews and Ratings
  - Kubota V1505 B V1505 T B Workshop Repair Service Manual and Bestseller Lists
5. Accessing Kubota V1505 B V1505 T B Workshop Repair Service Manual Free and Paid eBooks
    - Kubota V1505 B V1505 T B Workshop Repair Service Manual Public Domain eBooks
    - Kubota V1505 B V1505 T B Workshop Repair Service Manual eBook Subscription Services
    - Kubota V1505 B V1505 T B Workshop Repair Service Manual Budget-Friendly Options
  6. Navigating Kubota V1505 B V1505 T B Workshop Repair Service Manual eBook Formats
    - ePub, PDF, MOBI, and More
    - Kubota V1505 B V1505 T B Workshop Repair Service Manual Compatibility with Devices
    - Kubota V1505 B V1505 T B Workshop Repair Service Manual Enhanced eBook Features
  7. Enhancing Your Reading Experience
    - Adjustable Fonts and Text Sizes of Kubota V1505 B V1505 T B Workshop Repair Service Manual
    - Highlighting and Note-Taking Kubota V1505 B V1505 T B Workshop Repair Service Manual
    - Interactive Elements Kubota V1505 B V1505 T B Workshop Repair Service Manual
  8. Staying Engaged with Kubota V1505 B V1505 T B Workshop Repair Service Manual
    - Joining Online Reading Communities
    - Participating in Virtual Book Clubs
    - Following Authors and Publishers Kubota V1505 B V1505 T B Workshop Repair Service Manual
  9. Balancing eBooks and Physical Books Kubota V1505 B V1505 T B Workshop Repair Service Manual
    - Benefits of a Digital Library
    - Creating a Diverse Reading Collection Kubota V1505 B V1505 T B Workshop Repair Service Manual
  10. Overcoming Reading Challenges
    - Dealing with Digital Eye Strain
    - Minimizing Distractions
    - Managing Screen Time
  11. Cultivating a Reading Routine Kubota V1505 B V1505 T B Workshop Repair Service Manual
    - Setting Reading Goals Kubota V1505 B V1505 T B Workshop Repair Service Manual
    - Carving Out Dedicated Reading Time
  12. Sourcing Reliable Information of Kubota V1505 B V1505 T B Workshop Repair Service Manual

- Fact-Checking eBook Content of Kubota V1505 B V1505 T B Workshop Repair Service Manual
- Distinguishing Credible Sources

### 13. Promoting Lifelong Learning

- Utilizing eBooks for Skill Development
- Exploring Educational eBooks

### 14. Embracing eBook Trends

- Integration of Multimedia Elements
- Interactive and Gamified eBooks

## **Kubota V1505 B V1505 T B Workshop Repair Service Manual Introduction**

In today's digital age, the availability of Kubota V1505 B V1505 T B Workshop Repair Service Manual books and manuals for download has revolutionized the way we access information. Gone are the days of physically flipping through pages and carrying heavy textbooks or manuals. With just a few clicks, we can now access a wealth of knowledge from the comfort of our own homes or on the go. This article will explore the advantages of Kubota V1505 B V1505 T B Workshop Repair Service Manual books and manuals for download, along with some popular platforms that offer these resources. One of the significant advantages of Kubota V1505 B V1505 T B Workshop Repair Service Manual books and manuals for download is the cost-saving aspect. Traditional books and manuals can be costly, especially if you need to purchase several of them for educational or professional purposes. By accessing Kubota V1505 B V1505 T B Workshop Repair Service Manual versions, you eliminate the need to spend money on physical copies. This not only saves you money but also reduces the environmental impact associated with book production and transportation. Furthermore, Kubota V1505 B V1505 T B Workshop Repair Service Manual books and manuals for download are incredibly convenient. With just a computer or smartphone and an internet connection, you can access a vast library of resources on any subject imaginable. Whether you're a student looking for textbooks, a professional seeking industry-specific manuals, or someone interested in self-improvement, these digital resources provide an efficient and accessible means of acquiring knowledge. Moreover, PDF books and manuals offer a range of benefits compared to other digital formats. PDF files are designed to retain their formatting regardless of the device used to open them. This ensures that the content appears exactly as intended by the author, with no loss of formatting or missing graphics. Additionally, PDF files can be easily annotated, bookmarked, and searched for specific terms, making them highly practical for studying or referencing. When it comes to accessing Kubota V1505 B V1505 T B Workshop Repair Service Manual books and manuals, several platforms offer an extensive collection of resources. One such platform is Project Gutenberg, a nonprofit organization that provides over 60,000 free eBooks. These books are primarily in the public domain,

meaning they can be freely distributed and downloaded. Project Gutenberg offers a wide range of classic literature, making it an excellent resource for literature enthusiasts. Another popular platform for Kubota V1505 B V1505 T B Workshop Repair Service Manual books and manuals is Open Library. Open Library is an initiative of the Internet Archive, a non-profit organization dedicated to digitizing cultural artifacts and making them accessible to the public. Open Library hosts millions of books, including both public domain works and contemporary titles. It also allows users to borrow digital copies of certain books for a limited period, similar to a library lending system. Additionally, many universities and educational institutions have their own digital libraries that provide free access to PDF books and manuals. These libraries often offer academic texts, research papers, and technical manuals, making them invaluable resources for students and researchers. Some notable examples include MIT OpenCourseWare, which offers free access to course materials from the Massachusetts Institute of Technology, and the Digital Public Library of America, which provides a vast collection of digitized books and historical documents. In conclusion, Kubota V1505 B V1505 T B Workshop Repair Service Manual books and manuals for download have transformed the way we access information. They provide a cost-effective and convenient means of acquiring knowledge, offering the ability to access a vast library of resources at our fingertips. With platforms like Project Gutenberg, Open Library, and various digital libraries offered by educational institutions, we have access to an ever-expanding collection of books and manuals. Whether for educational, professional, or personal purposes, these digital resources serve as valuable tools for continuous learning and self-improvement. So why not take advantage of the vast world of Kubota V1505 B V1505 T B Workshop Repair Service Manual books and manuals for download and embark on your journey of knowledge?

## **FAQs About Kubota V1505 B V1505 T B Workshop Repair Service Manual Books**

**What is a Kubota V1505 B V1505 T B Workshop Repair Service Manual PDF?** A PDF (Portable Document Format) is a file format developed by Adobe that preserves the layout and formatting of a document, regardless of the software, hardware, or operating system used to view or print it. **How do I create a Kubota V1505 B V1505 T B Workshop Repair Service Manual PDF?** There are several ways to create a PDF: Use software like Adobe Acrobat, Microsoft Word, or Google Docs, which often have built-in PDF creation tools. Print to PDF: Many applications and operating systems have a "Print to PDF" option that allows you to save a document as a PDF file instead of printing it on paper. Online converters: There are various online tools that can convert different file types to PDF. **How do I edit a Kubota V1505 B V1505 T B Workshop Repair Service Manual PDF?** Editing a PDF can be done with software like Adobe Acrobat, which allows direct editing of text, images, and other elements within the PDF. Some free tools, like PDFescape or Smallpdf, also offer basic editing capabilities. **How do I convert a Kubota V1505 B V1505 T B Workshop Repair Service Manual PDF to another file**



**format?** There are multiple ways to convert a PDF to another format: Use online converters like Smallpdf, Zamzar, or Adobe Acrobats export feature to convert PDFs to formats like Word, Excel, JPEG, etc. Software like Adobe Acrobat, Microsoft Word, or other PDF editors may have options to export or save PDFs in different formats. **How do I password-protect a Kubota V1505 B V1505 T B Workshop Repair Service Manual PDF?** Most PDF editing software allows you to add password protection. In Adobe Acrobat, for instance, you can go to "File" -> "Properties" -> "Security" to set a password to restrict access or editing capabilities. Are there any free alternatives to Adobe Acrobat for working with PDFs? Yes, there are many free alternatives for working with PDFs, such as: LibreOffice: Offers PDF editing features. PDFsam: Allows splitting, merging, and editing PDFs. Foxit Reader: Provides basic PDF viewing and editing capabilities. How do I compress a PDF file? You can use online tools like Smallpdf, ILovePDF, or desktop software like Adobe Acrobat to compress PDF files without significant quality loss. Compression reduces the file size, making it easier to share and download. Can I fill out forms in a PDF file? Yes, most PDF viewers/editors like Adobe Acrobat, Preview (on Mac), or various online tools allow you to fill out forms in PDF files by selecting text fields and entering information. Are there any restrictions when working with PDFs? Some PDFs might have restrictions set by their creator, such as password protection, editing restrictions, or print restrictions. Breaking these restrictions might require specific software or tools, which may or may not be legal depending on the circumstances and local laws.

### **Find Kubota V1505 B V1505 T B Workshop Repair Service Manual :**

[mcgraw hill connect prescotts microbiology answers key](#)

[mcgraw hill connect corporate finance answers quiz](#)

**mcgraw hill connect sociology test answers**

[mcgraw hill connect solutions manual](#)

*mcgraw hill connected tu mundo answer key*

**mcgraw hill cost accounting solution manual**

**mcgraw hill connect organic chemistry homework answers**

**mcgraw hill connect fundamental accounting principles answer key**

[mcgraw hill connect spanish 102 answer key](#)

**mcgraw hill connect marketing test answers**

**mcgraw hill connect financial accounting solutions manual**

[mcgraw hill connect smartbook answers](#)

**mcgraw hill connect promo code summer 2014**

[mcgraw hill connect financial accounting answers](#)

[mcgraw hill connect managerial accounting homework answers](#)

**Kubota V1505 B V1505 T B Workshop Repair Service Manual :**

**jeet ya haar raho taiyar by dr ujjwal patni book summary** - Jun 01 2022

web [jeet ya haar raho taiyar by dr ujjwal patni animated book summary in hindi part 2 part 1 fb watch v2zeztqscs](#) or

**jeet ya haar raho taiyar by ujjwal patni book summary** - Aug 15 2023

web [jeet ya haar raho taiyar by dr ujjwal patni animated book summary in hindi part 1](#)

[jeet ya haar raho taiyaar books for you](#) - Apr 30 2022

web [jeet ya haar raho taiyaar](#)

**jeet ya har raho taiyar hindi book by ujjwal patni pustak** - Jul 02 2022

web [jeet ya har raho taiyar authored by ujjwal patnijit ya har raho taiyar](#)

**jeet ya haar raho taiyaar pdf scribd** - Apr 11 2023

web [save save jeet ya haar raho taiyaar for later](#) 0 0 found this document useful mark this document as useful 0 0 found this document not useful mark this document as not useful embed share print download now jump to page you are on page 1 of 198 search inside document

**jeet ya haar raho tayyar by dr ujjwal patni ebook scribd** - Mar 10 2023

web [read jeet ya haar raho tayyar by dr ujjwal patni with a free trial read millions of ebooks and audiobooks on the web ipad iphone and android dr patni says that we must believe that all odd situations will not continue for long and the change is definite](#)

**jeet ho ya haar raho taiyar facebook** - Oct 05 2022

web [jeet ho ya haar raho taiyar 39 likes jeet ya haar raho taiyar](#)

[jeet ya haar raho tayaar hindi edition amazon com](#) - Mar 30 2022

web [jan 1 2007 amazon com jeet ya haar raho tayaar hindi edition 9788190390033 ujjawal patni books](#)

**jeet ya haar raho tayaar paperback 1 january 2007** - Jan 28 2022

web [this item jeet ya haar raho tayaar by ujjawal patni paperback 195 00 in stock ships from and sold by medident india books power thinking by ujjawal patni paperback 224 00 in stock sold by cocoblu retail and ships from amazon fulfillment get it by friday december 30](#)

**jeet ya haar raho taiyaar youtube** - Jan 08 2023

web 2023 google llc

jeet ya haar raho taiyar by dr ujjwal - May 12 2023

web jeet ya haar raho taiyar by dr ujjwal patni in hindi 1 world best motivational video youtu be br4quv4gp i 2

jeet ya haar raho taiyar ujjwal patni hindi - Feb 09 2023

web jeet ya haar raho taiyar ujjwal patni hindi audio book part 6top 12 network marketing pdf booksclick here bit ly 3ko6y

jeet ho ya haar raho taiyar facebook - Aug 03 2022

web jeet ho ya haar raho taiyar facebook

jeet ya haar raho tayyar hindi pdf download - Jul 14 2023

web jan 3 2022 jeet ya haar raho tayyar book review in hindi jin logon mein oopar likhee buraeeyaan hai parantu vo aise log hai jinaka saath aap pooree tarah nahin chhod sakate to unase seemit sampark rakhie arthaat sirph kaam se kaam rakhie

jeet ya haar raho taiyaar facebook - Nov 06 2022

web jeet ya haar raho taiyaar facebook

jeet ya haar raho taiyaar book by books recording - Feb 26 2022

web jeet ya haar raho taiyaar book my main and whatsapp number is 8512045374 jan 29 2022 05 34 57 employee motivation my main and whatsapp number is 8512045374 121 mantra janiye mahange saste ya manovigyan my main and whatsapp number is 8512045374 jan 25 2022 05 34 02 365 days happiness book my main and

jeet yaa haar raho taiyar facebook - Dec 07 2022

web jeet yaa haar raho taiyar facebook

jeet ya haar raho taiyar ujjwal patni hindi - Jun 13 2023

web jeet ya haar raho taiyar ujjwal patni hindi audio booktop 12 network marketing pdf booksclick here bit ly 3ko6ynjtop 51 ne

top 10 motivational audio download motivator india - Dec 27 2021

web aug 7 2018 jeet ya haar raho taiyar life changing audio ujjwal patni motivational speech by naredra modinetwork marketing audio ujjwal patni tu mujhe kab tak rokoge amitabh bachchan tu chal amitabh bachchan chak lein de no 1 motivational song aashayein mere dil kiyuhi chala chal rahidil ye ziddi haichak de india

jeet ya haar raho tayyar - Sep 04 2022

web discover and share books you love on goodreads

**ugc net upkar books 2023 download pdfs kopykitab** - Oct 02 2023

it is one of the best publishers in india from whom students can purchase the necessary books and other study materials for ugc net below is the link to download upkar publication books of ugc net paper 1 paper 2 subjects 1 upkar ugc net paper 1 book pdf free download see more

**welcome to upkar prakashan online competitive exam book** - Apr 15 2022

web welcome to upkar prakashan buy competitive exam books online at discount prices on upkar in find large collection of entrance exam books online for bank po bank clerk railway exam books engg exam books dda ssc ssb nda cds lic gic air force defence services exam general intelligence test personality development books etc

**cbse ugc net national eligibility test upkar** - Jun 29 2023

web book name ugc net jrf set computer science and applications based om latest revised syllabus isbn 978 81 7482 586 5 author upkar prakashan editorial team

**ugc net jrf exam solved papers mass communication and** - Mar 27 2023

web oct 31 2014 ugc net jrf exam solved papers mass communication and journalism 50 00 single issue add to cart fri oct 31 2014 price 50 00 published on oct 31 2014 upkar prakashan language english this is an e magazine download app read offline on any device

***upkar prakashan*** - Feb 11 2022

web books online for rrb bank po railway ugc net and other competition exams best price on upkar publication prakashan competitive exam books collection of most popular and authentic books of entrance examinations competitions ugc net upsc etc we offer best price on upkar publication books in hindi and english medium

**ugc net jrf set computer science and applications paper ii** - Aug 20 2022

web bibliographic information title ugc net jrf set computer science and applications paper ii iii author upkar prakashan editorial board publisher upkar prakashan

***ugc net jrf exam solved papers teaching research*** - Feb 23 2023

web jul 23 2014 get the digital subscription of ugc net jrf exam solved papers teaching research aptitude general paper i e book in english by upkar prakashan book

**ugc net jrf set labour welfare and industrial relations** - Sep 08 2021

web oct 21 2015 get the digital subscription of ugc net jrf set labour welfare and industrial relations labour and social welfare human resource management paper

**ugc net paper 1 preparation books combo mock test** - Oct 10 2021

web get ugc net paper 1 preparation books combo mock test series by upkar prakashan kopykitab offers best ugc net paper 1

sample question papers study materials

**an objective history of english literature through multiple** - Nov 22 2022

web bibliographic information title an objective history of english literature through multiple choice questions for ugc net slet tgt pgt author dr b b jain publisher

*upkar prakashan for ugc net 2022 store spiralny* - Jan 13 2022

web 4 4 upkar prakashan for ugc net 2023 04 06 paper 2018 december and solved paper 2018 july all these features will make it a ladder of success in the

**ugc net jrf set teaching research aptitude general** - Nov 10 2021

web jul 25 2014 get the digital subscription of ugc net jrf set teaching research aptitude general paper i e book in english by upkar prakashan book read online

**upkar prakashan ugc net paper 1 books kopykitab** - Apr 27 2023

web upkar prakashan ugc net paper 1 books total 23 products view clear all ugc net jrf set practice sets teaching research aptitude general paper i by dr k

*ugc net jrf set english literature paper ii iii published* - May 17 2022

web close save changes close feedback

**upkar prakashan books store online flipkart** - Jul 19 2022

web showing 1 40 products of 49 products sort by popularity price low to high price high to low newest first csir ugc net jrf exam

[csir net 2023 registration begins at csirnet nta ac in direct](#) - Mar 15 2022

web 1 day ago given below are the steps that a candidate need to follow to submit their csir ugc net application form step 1 visit the official website csir ugc net at

*ugc net books pdf 2023 for all subjects download* - Jul 31 2023

ugc net upkar publication has many numbers of solved papers on various subjects books are available for the students to purchase online too on various websites upkar books popularly known among the see more

**upkar prakashan** - Sep 01 2023

students who use upkar publication books for ugc net preparation will benefit a lot by understanding the question patterns number of see more

*buy upkar prakashan books for ctet ugc net ssc defense* - Sep 20 2022

web upkar prakashan agra sort by show 31 upkar rajasthan stenographer by dr lal and vishnoi latest edition 235 00 340 00

buy now 22 upkar psychology manovigyan

**ugc net books by upkar prakashan previous year papers** - Dec 24 2022

web get ugc net books by upkar prakashan kopykitab offers best ugc net previous year papers which will help in your preparation and get top score in exams

*ugc net december 2023 application correction window opens* - Jun 17 2022

web 2 days ago step 1 go to the official ugc net website i e ugcnet nta ac in step 2 on the homepage click the ugcnet ntaonline in link step 3 in the next step log in with the

**ugc net books subject wise books for net exam** - Oct 22 2022

web oct 30 2023 ugc net jrf set economics paper 2 upkar prakashan political science trueman s ugc net political science by k a babu sajit kumar ugc net

**ugc net books by upkar prakashan kopykitab** - May 29 2023

web get ugc net books by upkar prakashan kopykitab offers best ugc net sample question papers study materials notes which will help in your preparation and get

*practice sets solved papers ugc net jrf set computer* - Jan 25 2023

web get computer science applications preparation books combo mock test series by upkar prakashan kopykitab offers best computer science applications sample question papers study materials notes which will help in your preparation and get top score in exams

*ugc net jrf set management paper ii iii readwhere* - Dec 12 2021

web dec 23 2016 get the digital subscription of ugc net jrf set management paper ii iii e book in english by upkar prakashan book read online and download book in

**checkmate noughts and crosses 3 by malorie blackman** - Sep 02 2022

web noughts and crosses collection 6 books set by malorie blackman noughts crosses knife edge checkmate double cross crossfire nought forever 9789123877256

noughts and crosses amazon com - Jun 30 2022

web intro noughts and crosses summary next prologue best friends callum and sephy are at their secret spot on the beach where they kiss to see what it s like sephy is almost 14

**checkmate definition of checkmate by the free dictionary** - Feb 24 2022

web we found 3 answers for checkmate this page shows answers to the clue checkmate followed by 5 definitions like to defeat completely the position in the game of chess

*checkmate noughts and crosses 3 by malorie blackman* - Dec 25 2021

web aug 22 2006 checkmate is the final book of the noughts and crosses trilogy following the book knives edge written by

malorie blackman it is a book of action mystery and  
[checkmate chess terms chess com](#) - Mar 28 2022

web check mate 'tʃɛk,mɛɪt n v mat ed mat ing interj n 1 a an act or instance in chess of maneuvering the opponent s king into a check from which it cannot escape thus bringing

*checkmate book 3 noughts and crosses* - May 10 2023

web apr 6 2017 checkmate is the final book of the noughts and crosses trilogy following the book knives edge written by malorie blackman it is a book of action mystery and

**checkmate noughts and crosses amazon co uk** - Jan 06 2023

web noughts and crosses collection 5 books bundle set by malorie blackman noughts crosses knife edge checkmate double cross crossfire malorie blackman

*noughts and crosses collection 6 books set by malorie* - Aug 01 2022

web jan 1 2001 noughts and crosses collection 6 books set by malorie blackman noughts crosses knife edge checkmate double cross crossfire nought forever

**checkmate book 3 noughts and crosses amazon com** - Nov 23 2021

**noughts crosses novel series wikipedia** - Jun 11 2023

web can the future ever erase the past rose has a cross mother and a nought father in a society where the pale skinned noughts are treated as inferiors and those with dual

[checkmate noughts crosses 3 by malorie](#) - Sep 14 2023

web checkmate noughts and crosses by blackman malorie young adult literature fiction social family issues buy new 9 99 free delivery 9 11 november details

*checkmate noughts and crosses book 3 kindle* - Mar 08 2023

web dec 26 2008 checkmate malorie blackman penguin random house children s uk dec 26 2008 juvenile fiction 528 pages another emotional hard hitter sunday times my

**checkmate malorie blackman google books** - Feb 07 2023

web verified purchase checkmate is the final book of the noughts and crosses trilogy following the book knives edge written by malorie blackman it is a book of action

**checkmate wikipedia** - Apr 28 2022

web a checkmate also known as mate occurs when a king is placed in check and has no legal moves to escape when a checkmate happens the game ends immediately and

*checkmate noughts and crosses book 3 amazon com* - Jul 12 2023

noughts crosses is a series of young adult novels by british author malorie blackman with six novels and three novellas the series is speculative fiction describing an alternative history the series takes place in an alternative 21st century britain at the time of the series slavery had been abolished for some time but segregation similar to the jim crow laws continues to operate to keep the crosses dark skinned people in control of th

**noughts and crosses collection 5 books bundle set by malorie** - Dec 05 2022

web checkmate is the final book of the noughts and crosses trilogy following the book knives edge written by malorie blackman it is a book of action mystery and immense

**checkmate 3 answers crossword clues** - Jan 26 2022

web release date 2005 can the future ever erase the past rose has a cross mother and a nought father in a society where the pale skinned noughts are treated as inferiors

*noughts and crosses by malorie blackman plot summary* - May 30 2022

web black is checkmated and loses the game checkmate often shortened to mate is any game position in chess and other chess like games in which a player s king is in check

*checkmate noughts crosses wiki fandom* - Oct 15 2023

checkmate is the third full length novel in the series see more

**checkmate noughts and crosses malorie blackman amazon in** - Oct 03 2022

web can the future ever erase the past rose has a cross mother and a nought father in a society where the pale skinned noughts are treated as inferiors and those with dual

[checkmate noughts and crosses 3 amazon co uk](#) - Apr 09 2023

web checkmate is the final book of the noughts and crosses trilogy following the book knives edge written by malorie blackman it is a book of action mystery and immense

*checkmate noughts and crosses by blackman* - Aug 13 2023

web dec 26 2008 checkmate noughts and crosses book 3 kindle edition by malorie blackman author format kindle edition 4 7 1 984 ratings book 3 of 6 noughts and

*checkmate book 3 noughts and crosses amazon in* - Nov 04 2022

web 5 0 out of 5 stars whilst noughts and crosses was brilliant because of the way the world was turned inside out checkmate is the best written and most emotional book reviewed