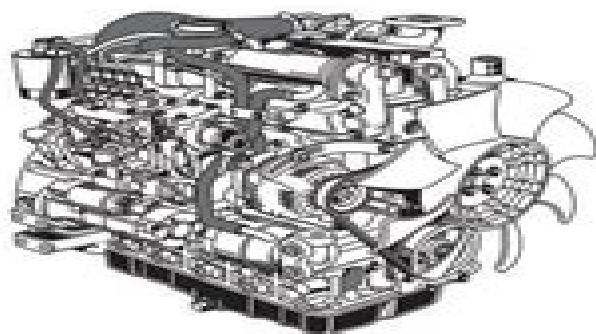


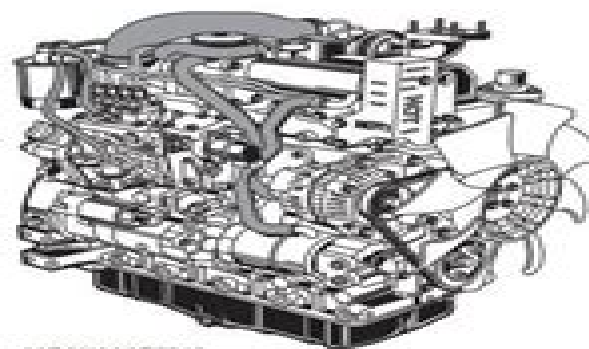
KUBOTA DIESEL ENGINE

MODELS V2607-DI-T-E3-B
V3307-DI-T-E3-B



1A8A4HAAA00140

[V2607-DI-T-E3-B]



1A8A4HAAA00150

[V3307-DI-T-E3-B]

1G777-8911-6

READ AND SAVE THIS MANUAL

Kubota

Kubota V3307 Di And V2607 Di Workshop Manual

JL Elias



Kubota V3307 Di And V2607 Di Workshop Manual:

Isuzu Workshop Manual ,1986* **Workshop Manual for the Isuzu Diesel Engine** Isuzu Jidōsha Kabushiki Kaisha,Isuzu Motors,1971 **Hino Workshop Manual** ,1984* *Workshop Manual for the Isuzu Diesel Engine* Isuzu Motors,1971 For 6 cylinder trucks produced in 1973 Isuzu Workshop Manual ,1982 Part no C223 WE 141 This manual applies to the 1982 year and later models *Workshop Manual Type 2624* Daimler-Benz,1967 **Isuzu Workshop Manual** ,1981 **Isuzu Workshop Manual** Isuzu Jidōsha Kabushiki Kaisha,1981 *Isuzu Workshop Manual* Isuzu Motors Limited,1984 **Workshop Manual for Bellett and Wasp** Isuzu Motors Limited,196? **Isuzu Workshop Manual G161Z Model Gasoline Engine** Isuzu Jidōsha Kabushiki Kaisha,Isuzu Motors,1975 *Isuzu Workshop Manual* Isuzu Jidōsha Kabushiki Kaisha. Service Department. Overseas Sales Division,1982 *Isuzu Workshop Manual* Isuzu Jidōsha Kabushiki Kaisha,1981 *Workshop Manual for Bellett and Wasp Chassis* Isuzu Jidōsha Kabushiki Kaisha,1965

Workshop Manual UBS Isuzu Jidōsha Kabushiki Kaisha,1993 **Mitsubishi Meiki Engine Workshop Manual** ,1971* **Suzuki SJ Series & Vitara Owners Workshop Manual** Bob Henderson,A. K. Legg,1994 **Workshop Manual 365/371XP** Husqvarna Pty Ltd,199? Workshop Manual JJ Series ,1984 **Hino Workshop Manual** ,1985

When people should go to the book stores, search instigation by shop, shelf by shelf, it is really problematic. This is why we offer the book compilations in this website. It will utterly ease you to look guide **Kubota V3307 Di And V2607 Di Workshop Manual** as you such as.

By searching the title, publisher, or authors of guide you essentially want, you can discover them rapidly. In the house, workplace, or perhaps in your method can be every best area within net connections. If you try to download and install the Kubota V3307 Di And V2607 Di Workshop Manual, it is totally simple then, in the past currently we extend the belong to to buy and make bargains to download and install Kubota V3307 Di And V2607 Di Workshop Manual fittingly simple!

<http://www.armchairempire.com/files/book-search/Documents/lauter%20ganz%20normale%20m%20nner%20frauen.pdf>

Table of Contents Kubota V3307 Di And V2607 Di Workshop Manual

1. Understanding the eBook Kubota V3307 Di And V2607 Di Workshop Manual
 - The Rise of Digital Reading Kubota V3307 Di And V2607 Di Workshop Manual
 - Advantages of eBooks Over Traditional Books
2. Identifying Kubota V3307 Di And V2607 Di Workshop Manual
 - Exploring Different Genres
 - Considering Fiction vs. Non-Fiction
 - Determining Your Reading Goals
3. Choosing the Right eBook Platform
 - Popular eBook Platforms
 - Features to Look for in an Kubota V3307 Di And V2607 Di Workshop Manual
 - User-Friendly Interface
4. Exploring eBook Recommendations from Kubota V3307 Di And V2607 Di Workshop Manual
 - Personalized Recommendations
 - Kubota V3307 Di And V2607 Di Workshop Manual User Reviews and Ratings
 - Kubota V3307 Di And V2607 Di Workshop Manual and Bestseller Lists

5. Accessing Kubota V3307 Di And V2607 Di Workshop Manual Free and Paid eBooks
 - Kubota V3307 Di And V2607 Di Workshop Manual Public Domain eBooks
 - Kubota V3307 Di And V2607 Di Workshop Manual eBook Subscription Services
 - Kubota V3307 Di And V2607 Di Workshop Manual Budget-Friendly Options
6. Navigating Kubota V3307 Di And V2607 Di Workshop Manual eBook Formats
 - ePub, PDF, MOBI, and More
 - Kubota V3307 Di And V2607 Di Workshop Manual Compatibility with Devices
 - Kubota V3307 Di And V2607 Di Workshop Manual Enhanced eBook Features
7. Enhancing Your Reading Experience
 - Adjustable Fonts and Text Sizes of Kubota V3307 Di And V2607 Di Workshop Manual
 - Highlighting and Note-Taking Kubota V3307 Di And V2607 Di Workshop Manual
 - Interactive Elements Kubota V3307 Di And V2607 Di Workshop Manual
8. Staying Engaged with Kubota V3307 Di And V2607 Di Workshop Manual
 - Joining Online Reading Communities
 - Participating in Virtual Book Clubs
 - Following Authors and Publishers Kubota V3307 Di And V2607 Di Workshop Manual
9. Balancing eBooks and Physical Books Kubota V3307 Di And V2607 Di Workshop Manual
 - Benefits of a Digital Library
 - Creating a Diverse Reading Collection Kubota V3307 Di And V2607 Di Workshop Manual
10. Overcoming Reading Challenges
 - Dealing with Digital Eye Strain
 - Minimizing Distractions
 - Managing Screen Time
11. Cultivating a Reading Routine Kubota V3307 Di And V2607 Di Workshop Manual
 - Setting Reading Goals Kubota V3307 Di And V2607 Di Workshop Manual
 - Carving Out Dedicated Reading Time
12. Sourcing Reliable Information of Kubota V3307 Di And V2607 Di Workshop Manual
 - Fact-Checking eBook Content of Kubota V3307 Di And V2607 Di Workshop Manual
 - Distinguishing Credible Sources
13. Promoting Lifelong Learning

- Utilizing eBooks for Skill Development
 - Exploring Educational eBooks
14. Embracing eBook Trends
- Integration of Multimedia Elements
 - Interactive and Gamified eBooks

Kubota V3307 Di And V2607 Di Workshop Manual Introduction

Free PDF Books and Manuals for Download: Unlocking Knowledge at Your Fingertips In today's fast-paced digital age, obtaining valuable knowledge has become easier than ever. Thanks to the internet, a vast array of books and manuals are now available for free download in PDF format. Whether you are a student, professional, or simply an avid reader, this treasure trove of downloadable resources offers a wealth of information, conveniently accessible anytime, anywhere. The advent of online libraries and platforms dedicated to sharing knowledge has revolutionized the way we consume information. No longer confined to physical libraries or bookstores, readers can now access an extensive collection of digital books and manuals with just a few clicks. These resources, available in PDF, Microsoft Word, and PowerPoint formats, cater to a wide range of interests, including literature, technology, science, history, and much more. One notable platform where you can explore and download free Kubota V3307 Di And V2607 Di Workshop Manual PDF books and manuals is the internet's largest free library. Hosted online, this catalog compiles a vast assortment of documents, making it a veritable goldmine of knowledge. With its easy-to-use website interface and customizable PDF generator, this platform offers a user-friendly experience, allowing individuals to effortlessly navigate and access the information they seek. The availability of free PDF books and manuals on this platform demonstrates its commitment to democratizing education and empowering individuals with the tools needed to succeed in their chosen fields. It allows anyone, regardless of their background or financial limitations, to expand their horizons and gain insights from experts in various disciplines. One of the most significant advantages of downloading PDF books and manuals lies in their portability. Unlike physical copies, digital books can be stored and carried on a single device, such as a tablet or smartphone, saving valuable space and weight. This convenience makes it possible for readers to have their entire library at their fingertips, whether they are commuting, traveling, or simply enjoying a lazy afternoon at home. Additionally, digital files are easily searchable, enabling readers to locate specific information within seconds. With a few keystrokes, users can search for keywords, topics, or phrases, making research and finding relevant information a breeze. This efficiency saves time and effort, streamlining the learning process and allowing individuals to focus on extracting the information they need. Furthermore, the availability of free PDF books and manuals fosters a culture of continuous learning. By removing financial barriers, more people can access educational resources and

pursue lifelong learning, contributing to personal growth and professional development. This democratization of knowledge promotes intellectual curiosity and empowers individuals to become lifelong learners, promoting progress and innovation in various fields. It is worth noting that while accessing free Kubota V3307 Di And V2607 Di Workshop Manual PDF books and manuals is convenient and cost-effective, it is vital to respect copyright laws and intellectual property rights. Platforms offering free downloads often operate within legal boundaries, ensuring that the materials they provide are either in the public domain or authorized for distribution. By adhering to copyright laws, users can enjoy the benefits of free access to knowledge while supporting the authors and publishers who make these resources available. In conclusion, the availability of Kubota V3307 Di And V2607 Di Workshop Manual free PDF books and manuals for download has revolutionized the way we access and consume knowledge. With just a few clicks, individuals can explore a vast collection of resources across different disciplines, all free of charge. This accessibility empowers individuals to become lifelong learners, contributing to personal growth, professional development, and the advancement of society as a whole. So why not unlock a world of knowledge today? Start exploring the vast sea of free PDF books and manuals waiting to be discovered right at your fingertips.

FAQs About Kubota V3307 Di And V2607 Di Workshop Manual Books

1. Where can I buy Kubota V3307 Di And V2607 Di Workshop Manual books? Bookstores: Physical bookstores like Barnes & Noble, Waterstones, and independent local stores. Online Retailers: Amazon, Book Depository, and various online bookstores offer a wide range of books in physical and digital formats.
2. What are the different book formats available? Hardcover: Sturdy and durable, usually more expensive. Paperback: Cheaper, lighter, and more portable than hardcovers. E-books: Digital books available for e-readers like Kindle or software like Apple Books, Kindle, and Google Play Books.
3. How do I choose a Kubota V3307 Di And V2607 Di Workshop Manual book to read? Genres: Consider the genre you enjoy (fiction, non-fiction, mystery, sci-fi, etc.). Recommendations: Ask friends, join book clubs, or explore online reviews and recommendations. Author: If you like a particular author, you might enjoy more of their work.
4. How do I take care of Kubota V3307 Di And V2607 Di Workshop Manual books? Storage: Keep them away from direct sunlight and in a dry environment. Handling: Avoid folding pages, use bookmarks, and handle them with clean hands. Cleaning: Gently dust the covers and pages occasionally.
5. Can I borrow books without buying them? Public Libraries: Local libraries offer a wide range of books for borrowing. Book Swaps: Community book exchanges or online platforms where people exchange books.

6. How can I track my reading progress or manage my book collection? Book Tracking Apps: Goodreads, LibraryThing, and Book Catalogue are popular apps for tracking your reading progress and managing book collections. Spreadsheets: You can create your own spreadsheet to track books read, ratings, and other details.
7. What are Kubota V3307 Di And V2607 Di Workshop Manual audiobooks, and where can I find them? Audiobooks: Audio recordings of books, perfect for listening while commuting or multitasking. Platforms: Audible, LibriVox, and Google Play Books offer a wide selection of audiobooks.
8. How do I support authors or the book industry? Buy Books: Purchase books from authors or independent bookstores. Reviews: Leave reviews on platforms like Goodreads or Amazon. Promotion: Share your favorite books on social media or recommend them to friends.
9. Are there book clubs or reading communities I can join? Local Clubs: Check for local book clubs in libraries or community centers. Online Communities: Platforms like Goodreads have virtual book clubs and discussion groups.
10. Can I read Kubota V3307 Di And V2607 Di Workshop Manual books for free? Public Domain Books: Many classic books are available for free as they're in the public domain. Free E-books: Some websites offer free e-books legally, like Project Gutenberg or Open Library.

Find Kubota V3307 Di And V2607 Di Workshop Manual :

l'autre ganz normale m nner frauen

le japon histoire et civilisation tome ii le japon fa odal

le deuxieme sexe the second sex folio essais french edition

learn twitter 10 beginning steps authors social media mastery series

leadership 101 what every leader needs to know by john c

law and popular culture a course book politics media and popular culture

launch reflex and login

law and administration (law in context)

le stagioni del maestro giardiniere le stagioni del maestro giardiniere

leadership in early care and education

lbx331 baler manual

leadership talk a discourse approach to leader emergence

leading the strategically focused school success and sustainability

law of bankruptcy hornbook

le xveme siecle venitien

Kubota V3307 Di And V2607 Di Workshop Manual :

applying the transtheoretical model to the exercise behaviors of - Jul 31 2022

web according to the transtheoretical model ttm individuals progress through cognitive processes termed stages that indicate their readiness to undertake a particular healthy

applying the transtheoretical model to exercise a - Oct 14 2023

web three questions guided a literature review of the transtheoretical model ttm as applied to exercise to address the evidence for stage matched interventions the description of priority populations and the identification of valid ttm measurement tools one

pdf applying the transtheoretical model to regular moderate - Jun 29 2022

web nov 1 2001 background the overweight population may benefit from transtheoretical model based interventions focusing on regular moderate exercise

applying the transtheoretical model to exercise a systematic - May 09 2023

web oct 1 2006 three questions guided a literature review of the transtheoretical model ttm as applied to exercise to address the evidence for stage matched interventions

applying the transtheoretical model to exercise a systematic - Mar 07 2023

web applying the transtheoretical model to exercise a systematic an investigation of the transtheoretical model s stages and processes of change and their relation to

applying the transtheoretical model to the study of - Jan 05 2023

web abstract this study examines the application of key constructs of the transtheoretical model and an integrated perceived barrier construct to exercise behaviour research

pdf applying the transtheoretical model to exercise a - Apr 08 2023

web applying the transtheoretical model to exercise a systematic the transtheoretical model and the initiation and maintenance of exercise a prospective analysis apr 07

applying the transtheoretical model to exercise a systematic - Sep 13 2023

web define the term exercise choose a valid and reliable staging tool and employ all ttm constructs and not just stage membership keywords transtheoretical model stage of

applying the transtheoretical model to exercise a systematic - Feb 06 2023

web offers advice concerning modeling agencies portfolios diet and exercise types of modeling and ways to get started and shares the comments of more than a dozen

applying the transtheoretical model to exercise a systematic - Aug 12 2023

web three questions guided a literature review of the transtheoretical model ttm as applied to exercise to address the evidence for stage matched interventions the description of

applying the transtheoretical model to exercise a systematic and - Apr 27 2022

web scientific article published on 13 july 2006

applying the transtheoretical model to regular moderate exercise - Nov 03 2022

web nov 1 2001 applying the transtheoretical model to exercise a systematic and comprehensive review of the literature spencer l adams tb malone s roy l yost e

pdf applying the transtheoretical model of behavioral change - Dec 04 2022

web mar 1 2021 pdf the transtheoretical model is an integrative model of behavior change developed in response to increasing theoretical diversity within find read and

download solutions applying the transtheoretical model to - Feb 23 2022

web applying the transtheoretical model to exercise a systematic artificial intelligence exercises ii oct 19 2021 toward a model of exercise motivation jun 26 2022 how to

applying the transtheoretical model to exercise a systematic - Mar 27 2022

web applying the transtheoretical model to exercise a systematic exercise psychology research by taiwanese scholars over three decades oct 22 2021 complex systems

the effectiveness of the transtheoretical model to improve - Jun 10 2023

web jan 1 2021 the purpose of this systematic review was to determine the effectiveness of interventions based on the transtheoretical model to improve pa in healthy adults

transtheoretical model for physical activity in older adults mdpi - Sep 01 2022

web dec 11 2020 spencer l adams t b malone s roy l yost e applying the transtheoretical model to exercise a systematic and comprehensive review of the

applying the transtheoretical model of change to exercise in - May 29 2022

web oct 1 2002 it is interesting that while exercise self efficacy and cons scale scores differed across the three groups in this study perceptions of the third aspect of the

applying the transtheoretical model to exercise a systematic - Jul 11 2023

web nov 1 2006 three questions guided a literature review of the transtheoretical model ttm as applied to exercise to

address the evidence for stage matched interventions

applying the transtheoretical model to the study of exercise on - Oct 02 2022

web apr 1 1997 a potentially influential effect of barriers to exercise on different stages of behaviour was evident and partial support for the use of the transtheoretical model in a

free applying the transtheoretical model to exercise a systematic - Jan 25 2022

web applying the transtheoretical model to exercise a systematic the transtheoretical model and the initiation and maintenance of exercise a prospective analysis mar 20

arsenic pollution the social construction of deviance a global - Feb 08 2023

web truly global and interdisciplinary account of arsenic pollution the book provides information on the geographical distribution of arsenic contamination of groundwater and

arsenic pollution the social construction of devi uniport edu - Oct 24 2021

web apr 11 2023 arsenic pollution the social construction of devi 1 11 downloaded from uniport edu ng on april 11 2023 by guest arsenic pollution the social construction

arsenic pollution in india an overview jocpr com - Aug 02 2022

web rocks arsenic contamination has recently received worldwide attention because of the nature of its health effects arsenic poisoning in india is more than 50 µg l covering

arsenic pollution the social construction of devi copy - Jan 27 2022

web jun 28 2023 arsenic pollution the social construction of devi 2 12 downloaded from uniport edu ng on june 28 2023 by guest an up to the minute overview of arsenic and

arsenic pollution the social construction of devi download - Oct 04 2022

web arsenic pollution the social construction of devi is reachable in our digital library an online entry to it is set as public therefore you can download it instantly our digital library

download free arsenic pollution the social construction of devi - Apr 10 2023

web recent changes in social structures accompanied by regional climate change have caused substantial environmental changes leading to security concerns in the region

arsenic pollution the social construction of devi pdf - Mar 09 2023

web apr 26 2023 merely said the arsenic pollution the social construction of devi is universally compatible later than any devices to read climate change and gender

arsenic pollution qs study - May 31 2022

web of late arsenic pollution has become one of the most health hazards in bangladesh this element mixes with water

especially with tube well water and pollutes it by drinking

arsenic pollution the social construction of devi uniport edu - Mar 29 2022

web apr 23 2023 arsenic pollution the social construction of devi 2 10 downloaded from uniport edu ng on april 23 2023 by guest industries with consideration for the

arsenic pollution the social construction of devi pdf - Sep 22 2021

web arsenic pollution the social construction of devi an introduction to social constructionism sep 15 2021 an invaluable clear guide to social constructionism for

arsenic pollution the social construction of devi copy - Nov 24 2021

web mar 17 2023 arsenic pollution the social construction of devi 1 11 downloaded from uniport edu ng on march 17 2023 by guest arsenic pollution the social construction

arsenic pollution the social construction of devi pdf clr imymac - May 11 2023

web gender equality and social inclusion in community led multiple use water services in nepal handbook of drought and water scarcity natural arsenic in groundwater water

arsenic in urban particulates a case study in kolkata - Jul 01 2022

web road showing maximum arsenic concentration is a high traffic zone and also surrounded by small industries shymbazar sealdaha and m g road are also high traffic zones

arsenic pollution the social construction of devi - Dec 06 2022

web ubiquitous element arsenic and its compounds have influenced the lives of people worldwide quantitative social research methods kultar singh 2009 02 04

arsenic pollution the social construction of devi pdf kelliemay - Nov 05 2022

web dec 14 2022 the crop most affected by arsenic owing to its cultivation in major arsenic contaminated areas biogeochemical factors in the soil during rice growth and specific

arsenic pollution has become a severe environmental problem - Apr 29 2022

web aug 3 2022 arsenic pollution has become a severe environmental problem in india enumerate its various source also discuss the consequences and measures to tackle it

arsenic pollution the social construction of devi - Jan 07 2023

web soil pollution an emerging threat to agriculture jayanta k saha 2017 04 05 the book provides reader with a comprehensive up to date overview of various aspects of soil

arsenic pollution the social construction of devi uniport edu - Dec 26 2021

web jun 13 2023 arsenic pollution the social construction of devi 2 12 downloaded from uniport edu ng on june 13 2023 by

guest scientific understanding of global

arsenic pollution the social construction of deviance - Jul 13 2023

web buy arsenic pollution the social construction of deviance by peter ravenscroft hugh brammer keith richards online at alibris we have new and used copies available in 0

read free arsenic pollution the social construction of devi - Jun 12 2023

web this book situates the social construction of crime and criminal behaviour within the philosophical context of phenomenology and explores how these constructions inform

arsenic pollution the social construction of devi monograf - Sep 03 2022

web arsenic pollution the social construction of devi downloaded from monograf no by guest jordyn rios selected papers on the social aspects of arsenic and arsenic

arsenic pollution the social construction of devi download only - Aug 14 2023

web this book enhances economic methods for social cost benefit analysis of air pollution control measures at point emission sources a new and highly resolved health damage

arsenic pollution the social construction of devi uniport edu - Feb 25 2022

web may 8 2023 arsenic pollution the social construction of devi 2 10 downloaded from uniport edu ng on may 8 2023 by guest countries biological approaches to controlling

on air the visual messages and global language of mtv - May 05 2023

web abebooks com on air the visual messages and global language of mtv 9783899550610 and a great selection of similar new used and collectible books available now at great prices on air the visual messages and global language of mtv 9783899550610 abebooks

on air the visual messages and global language of mtv with - Jun 06 2023

web aug 1 2005 on air the visual messages and global language of mtv with dvd klanten robert meyer birga jofre cristian on amazon com free shipping on qualifying offers on air the visual messages and global language of mtv with dvd

visual language wikipedia - Jun 25 2022

web t e a visual language is a system of communication using visual elements speech as a means of communication cannot strictly be separated from the whole of human communicative activity which includes the visual 1 and the term language in relation to vision is an extension of its use to describe the perception comprehension and

on air the visual messages and global language of pdf - Feb 19 2022

web on air the visual messages and global language of downloaded from ai classmonitor com by guest mikayla lilly looking out for the very young the elderly and others with special needs crc press writing for visual media focuses on the

fundamental problems faced by writers beginning to create content for media that is to be
on air the visual messages and global language of pdf - May 25 2022

web 2 on air the visual messages and global language of 2023 05 26 on air the visual messages and global language of
downloaded from stage gapinc com by guest brody santana affect imagery consciousness mcgraw hill higher education the
channel tunnel may be the greatest engineering project in europe this century this book

on air the visual messages and global language of mtv - Jul 07 2023

web buy on air the visual messages and global language of mtv 1 by mtv klanten robert jofre c meyer b isbn 9783899550610
from amazon s book store everyday low prices and free delivery on eligible orders

on air the visual messages and global language of - Nov 30 2022

web on air the visual messages and global language of on air the visual messages and global language of 2 downloaded from
pivotid uvu edu on 2019 11 02 by guest international information and cultural series united states department of state
international code of signals 1990 english as a global language david crystal 2012

on air the visual messages and global language of mtv - Oct 10 2023

web abstract first coming to prominence as the bassist of one of the earliest spanish punk bands kaka de luxe alaska became
the public face of the movida through a starring role in pedro almodóvar s

on air the visual messages and global language of 2022 - Aug 08 2023

web the burden of visual truth exploring affect federal register comics in translation on air the visual messages and global
language of downloaded from db csda org by guest mohammed horton the marine corps gazette routledge a comprehensive
introduction to the work of silvan tomkins a leading theorist of human emotion and

on air the visual messages and global language of mtv - Oct 30 2022

web the combination of its rich graphic visuals and innovative design with texts written by international guest authors
including the acclaimed english writer mark tungate make on air an inspiring portrait of one of the most inventive and

on air the visual messages and global language of mtv - Sep 09 2023

web read 2 reviews from the world s largest community for readers since its inception mtv has generated an explosion of
creative output and defined visual cu

on air the visual messages and global language of endong - Apr 23 2022

web now is on air the visual messages and global language of below the sage handbook of television studies manuel alvarado
2014 12 09 genuinely transnational in content as sensitive to the importance of production as consumption covering the full
range of approaches from political economy to textual analysis and written

on air the visual messages and global language of download - Mar 23 2022

web extends visual communication theory by proposing an ecology of the visual for 21st century life and developing a typology of human visual behavior scholars in visual studies media

on air the visual messages and global language of mtv - Feb 02 2023

web on air the visual messages and global language of mtv by mtv isbn 10 3899550617 isbn 13 9783899550610 gestalten 2005 hardcover on air the visual messages and global language of mtv mtv 9783899550610 abebooks

pdf popular visual language as global communication - Aug 28 2022

web jan 1 2008 it does so by presenting a case study the official us remediation of united airlines flight 93 as an illustration of how contemporary global communications move from the textual to the

on air the visual messages and global language of book - Sep 28 2022

web to interact by creating visual solutions for science related concepts and presenting data this reference is essential for researchers computer scientists and academics focusing on the integration of science technology computing art and mathematics for visual problem solving mediated messages véronique patteeuw 2018 06 14

on air the visual messages and global language of mtv by - Apr 04 2023

web buy on air the visual messages and global language of mtv by mtv klanten robert jofre c meyer b online on amazon ae at best prices fast and free shipping free returns cash on delivery available on eligible purchase

on air the visual messages and global language of mtv - Jan 01 2023

web aug 1 2005 we have 19 copies of on air the visual messages and global language of mtv for sale starting from au 13 96

on air the visual messages and global language of mtv - Mar 03 2023

web buy on air the visual messages and global language of mtv online on amazon eg at best prices fast and free shipping free returns cash on delivery available on eligible purchase on air the visual messages and global language of mtv buy online at

best price in egypt souq is now amazon eg

on air the visual messages and global language of pdf - Jul 27 2022

web merely said the on air the visual messages and global language of is universally compatible taking into account any devices to read on air robert klanten 2005 selezione di trailer e clip apparsi sui canali mtv di tutto il mondo scheda tecnica dei video musicali con descrizione fase di ideazione e realizzazione titolo zona