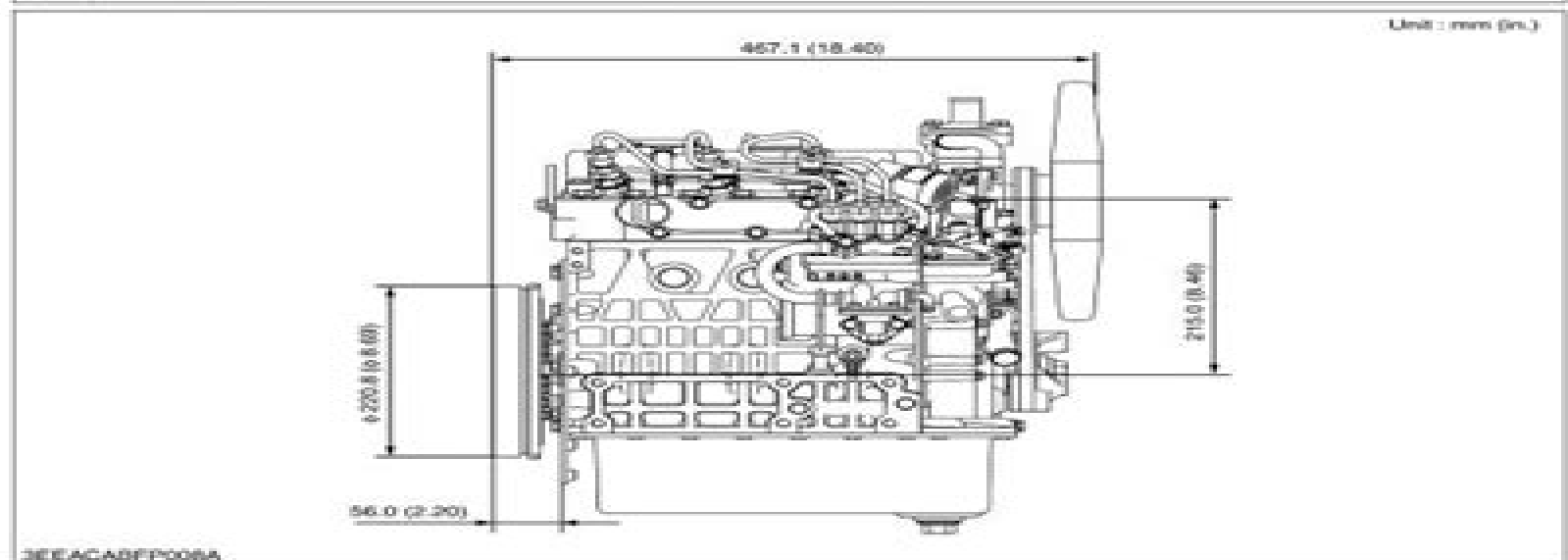
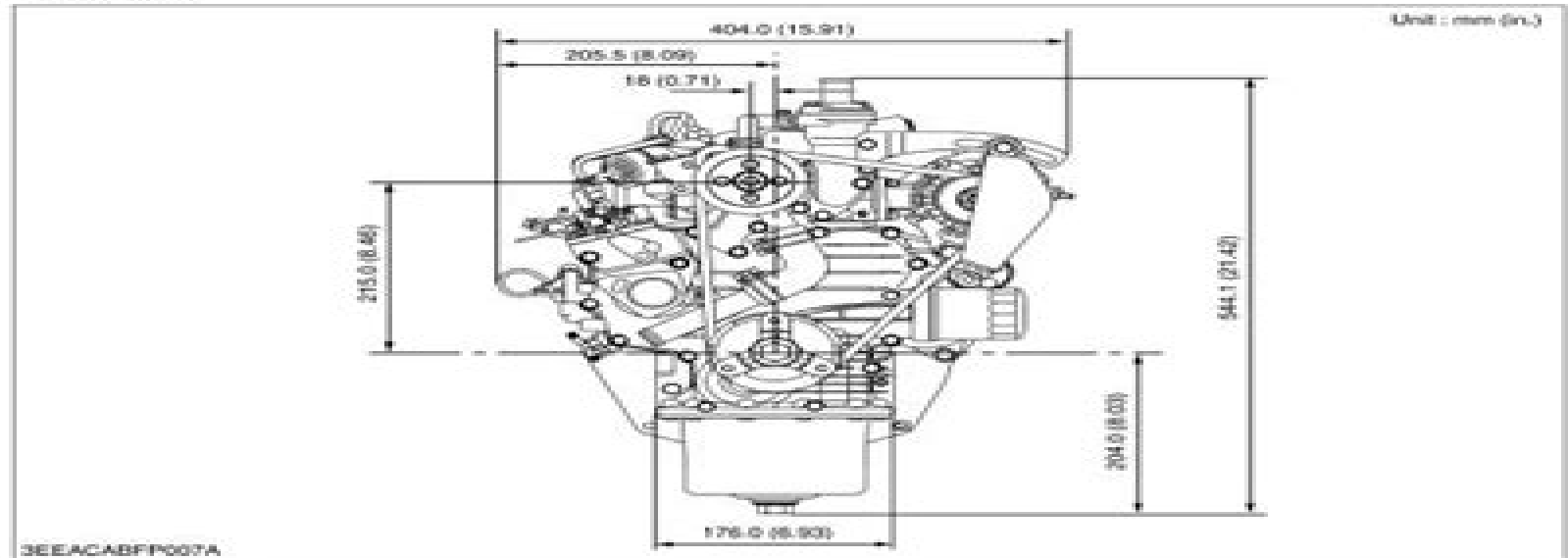


■ D902-E2B



Kubota D722 Diesel Engine Manual

Mark Steyvers



Kubota D722 Diesel Engine Manual:

Field & Stream ,2005-08 FIELD STREAM America s largest outdoor sports magazine celebrates the outdoor experience with great stories compelling photography and sound advice while honoring the traditions hunters and fishermen have passed down for generations **Field and Stream** ,2005 *Operator's Manual* Kubota Kabushiki Kaisha, Workshop Manual, Kubota Diesel Engines ,198? Diesel Engine Manual Perry O. Black,1983 **Diesel Engine Manual** Perry O. Black,1982 *Diesel Engine Manual ...* Edward Molloy,1955 *Small Diesel Engine Service Manual Ed 3* Penton Staff,2000-05-24 Air cooled and liquid cooled diesel engines up to 160 cu In 2600cc More than 200 models covered *Diesel Engine Manual ... Prepared ... Under the Direction of E. Molloy, Etc* Edward Molloy,1950 *Technical Manual* ,1941

Diesel Engine Maintenance Training Manual Bureau of Ships,2015-01-15 Very complete and comprehensive manual for the service and repair of all large Marine Diesel Engines Reprint of the original book from 1946 **Three, Four and Six Cylinder Series 71 Two-cycle Diesel Engines Maintenance Manual** ,1947 **Small Diesel Engine Service Manual** ,1987 **Audels Diesel Engine Manual** Abraham Barnett Green,Robert Alfred Zoeller,2013-08 A Practical Concise Treatise On The Theory Practical Operation And Maintenance Of Modern Diesel Engines **Diesel Engine Repair Manual** Ken Freund,John Harold Haynes,1991 Chest pain can be terrifying Many people panic or hope that if they ignore it it will go away But angina must be taken seriously and in addition to taking medical advice it s important to find out what you can do about it and what you can do to help yourself reduce the risk of a heart attack This book answers key questions for anyone worried about angina What is it and why is it happening Does it mean I m going to have a heart attack What should I do when I have chest pain How do I tell if it s serious Living with Angina is also packed with useful advice about what you can do to deal with high cholesterol or high blood pressure develop a sensible exercise program and make crucial lifestyle changes that will help you live life to the full BOOK JACKET Title Summary field provided by Blackwell North America Inc All Rights Reserved **Diesel Engine Manual** Edward Molloy,1953 *Diesel engine manual, edited by e. molley* ,1959 **Diesel Engine Manual. Prepared by a Staff of Technical Experts Under the Direction of E. Molloy. (Fourth Edition.)** Edward Molloy,1959 **Diesel Engine, Series 110** General Motors Corporation. Detroit Diesel Engine Division,1956

Large Diesel Engine Service Penton Staff,2000-05-24 Diesel industrial engines with 150 500 cu in 2 5 8 2 L More than 75 models are covered

Immerse yourself in heartwarming tales of love and emotion with Explore Love with its touching creation, Experience Love's Journey in **Kubota D722 Diesel Engine Manual** . This emotionally charged ebook, available for download in a PDF format (*), is a celebration of love in all its forms. Download now and let the warmth of these stories envelop your heart.

http://www.armchairempire.com/results/publication/Download_PDFS/i_will_teach_you_to_be_rich.pdf

Table of Contents Kubota D722 Diesel Engine Manual

1. Understanding the eBook Kubota D722 Diesel Engine Manual
 - The Rise of Digital Reading Kubota D722 Diesel Engine Manual
 - Advantages of eBooks Over Traditional Books
2. Identifying Kubota D722 Diesel Engine Manual
 - Exploring Different Genres
 - Considering Fiction vs. Non-Fiction
 - Determining Your Reading Goals
3. Choosing the Right eBook Platform
 - Popular eBook Platforms
 - Features to Look for in an Kubota D722 Diesel Engine Manual
 - User-Friendly Interface
4. Exploring eBook Recommendations from Kubota D722 Diesel Engine Manual
 - Personalized Recommendations
 - Kubota D722 Diesel Engine Manual User Reviews and Ratings
 - Kubota D722 Diesel Engine Manual and Bestseller Lists
5. Accessing Kubota D722 Diesel Engine Manual Free and Paid eBooks
 - Kubota D722 Diesel Engine Manual Public Domain eBooks
 - Kubota D722 Diesel Engine Manual eBook Subscription Services
 - Kubota D722 Diesel Engine Manual Budget-Friendly Options
6. Navigating Kubota D722 Diesel Engine Manual eBook Formats

- ePub, PDF, MOBI, and More
 - Kubota D722 Diesel Engine Manual Compatibility with Devices
 - Kubota D722 Diesel Engine Manual Enhanced eBook Features
7. Enhancing Your Reading Experience
 - Adjustable Fonts and Text Sizes of Kubota D722 Diesel Engine Manual
 - Highlighting and Note-Taking Kubota D722 Diesel Engine Manual
 - Interactive Elements Kubota D722 Diesel Engine Manual
 8. Staying Engaged with Kubota D722 Diesel Engine Manual
 - Joining Online Reading Communities
 - Participating in Virtual Book Clubs
 - Following Authors and Publishers Kubota D722 Diesel Engine Manual
 9. Balancing eBooks and Physical Books Kubota D722 Diesel Engine Manual
 - Benefits of a Digital Library
 - Creating a Diverse Reading Collection Kubota D722 Diesel Engine Manual
 10. Overcoming Reading Challenges
 - Dealing with Digital Eye Strain
 - Minimizing Distractions
 - Managing Screen Time
 11. Cultivating a Reading Routine Kubota D722 Diesel Engine Manual
 - Setting Reading Goals Kubota D722 Diesel Engine Manual
 - Carving Out Dedicated Reading Time
 12. Sourcing Reliable Information of Kubota D722 Diesel Engine Manual
 - Fact-Checking eBook Content of Kubota D722 Diesel Engine Manual
 - Distinguishing Credible Sources
 13. Promoting Lifelong Learning
 - Utilizing eBooks for Skill Development
 - Exploring Educational eBooks
 14. Embracing eBook Trends
 - Integration of Multimedia Elements
 - Interactive and Gamified eBooks

Kubota D722 Diesel Engine Manual Introduction

In today's digital age, the availability of Kubota D722 Diesel Engine Manual books and manuals for download has revolutionized the way we access information. Gone are the days of physically flipping through pages and carrying heavy textbooks or manuals. With just a few clicks, we can now access a wealth of knowledge from the comfort of our own homes or on the go. This article will explore the advantages of Kubota D722 Diesel Engine Manual books and manuals for download, along with some popular platforms that offer these resources. One of the significant advantages of Kubota D722 Diesel Engine Manual books and manuals for download is the cost-saving aspect. Traditional books and manuals can be costly, especially if you need to purchase several of them for educational or professional purposes. By accessing Kubota D722 Diesel Engine Manual versions, you eliminate the need to spend money on physical copies. This not only saves you money but also reduces the environmental impact associated with book production and transportation. Furthermore, Kubota D722 Diesel Engine Manual books and manuals for download are incredibly convenient. With just a computer or smartphone and an internet connection, you can access a vast library of resources on any subject imaginable. Whether you're a student looking for textbooks, a professional seeking industry-specific manuals, or someone interested in self-improvement, these digital resources provide an efficient and accessible means of acquiring knowledge. Moreover, PDF books and manuals offer a range of benefits compared to other digital formats. PDF files are designed to retain their formatting regardless of the device used to open them. This ensures that the content appears exactly as intended by the author, with no loss of formatting or missing graphics. Additionally, PDF files can be easily annotated, bookmarked, and searched for specific terms, making them highly practical for studying or referencing. When it comes to accessing Kubota D722 Diesel Engine Manual books and manuals, several platforms offer an extensive collection of resources. One such platform is Project Gutenberg, a nonprofit organization that provides over 60,000 free eBooks. These books are primarily in the public domain, meaning they can be freely distributed and downloaded. Project Gutenberg offers a wide range of classic literature, making it an excellent resource for literature enthusiasts. Another popular platform for Kubota D722 Diesel Engine Manual books and manuals is Open Library. Open Library is an initiative of the Internet Archive, a non-profit organization dedicated to digitizing cultural artifacts and making them accessible to the public. Open Library hosts millions of books, including both public domain works and contemporary titles. It also allows users to borrow digital copies of certain books for a limited period, similar to a library lending system. Additionally, many universities and educational institutions have their own digital libraries that provide free access to PDF books and manuals. These libraries often offer academic texts, research papers, and technical manuals, making them invaluable resources for students and researchers. Some notable examples include MIT OpenCourseWare, which offers free access to course materials from the Massachusetts Institute of Technology, and the Digital Public Library of America, which provides a vast collection of digitized books and historical documents. In conclusion, Kubota D722 Diesel

Engine Manual books and manuals for download have transformed the way we access information. They provide a cost-effective and convenient means of acquiring knowledge, offering the ability to access a vast library of resources at our fingertips. With platforms like Project Gutenberg, Open Library, and various digital libraries offered by educational institutions, we have access to an ever-expanding collection of books and manuals. Whether for educational, professional, or personal purposes, these digital resources serve as valuable tools for continuous learning and self-improvement. So why not take advantage of the vast world of Kubota D722 Diesel Engine Manual books and manuals for download and embark on your journey of knowledge?

FAQs About Kubota D722 Diesel Engine Manual Books

How do I know which eBook platform is the best for me? Finding the best eBook platform depends on your reading preferences and device compatibility. Research different platforms, read user reviews, and explore their features before making a choice. Are free eBooks of good quality? Yes, many reputable platforms offer high-quality free eBooks, including classics and public domain works. However, make sure to verify the source to ensure the eBook credibility. Can I read eBooks without an eReader? Absolutely! Most eBook platforms offer webbased readers or mobile apps that allow you to read eBooks on your computer, tablet, or smartphone. How do I avoid digital eye strain while reading eBooks? To prevent digital eye strain, take regular breaks, adjust the font size and background color, and ensure proper lighting while reading eBooks. What the advantage of interactive eBooks? Interactive eBooks incorporate multimedia elements, quizzes, and activities, enhancing the reader engagement and providing a more immersive learning experience. Kubota D722 Diesel Engine Manual is one of the best book in our library for free trial. We provide copy of Kubota D722 Diesel Engine Manual in digital format, so the resources that you find are reliable. There are also many Ebooks of related with Kubota D722 Diesel Engine Manual. Where to download Kubota D722 Diesel Engine Manual online for free? Are you looking for Kubota D722 Diesel Engine Manual PDF? This is definitely going to save you time and cash in something you should think about. If you trying to find then search around for online. Without a doubt there are numerous these available and many of them have the freedom. However without doubt you receive whatever you purchase. An alternate way to get ideas is always to check another Kubota D722 Diesel Engine Manual. This method for see exactly what may be included and adopt these ideas to your book. This site will almost certainly help you save time and effort, money and stress. If you are looking for free books then you really should consider finding to assist you try this. Several of Kubota D722 Diesel Engine Manual are for sale to free while some are payable. If you arent sure if the books you would like to download works with for usage along with your computer, it is possible to download free trials. The free guides make it easy for someone to free access online library for download books to

your device. You can get free download on free trial for lots of books categories. Our library is the biggest of these that have literally hundreds of thousands of different products categories represented. You will also see that there are specific sites catered to different product types or categories, brands or niches related with Kubota D722 Diesel Engine Manual. So depending on what exactly you are searching, you will be able to choose e books to suit your own need. Need to access completely for Campbell Biology Seventh Edition book? Access Ebook without any digging. And by having access to our ebook online or by storing it on your computer, you have convenient answers with Kubota D722 Diesel Engine Manual To get started finding Kubota D722 Diesel Engine Manual, you are right to find our website which has a comprehensive collection of books online. Our library is the biggest of these that have literally hundreds of thousands of different products represented. You will also see that there are specific sites catered to different categories or niches related with Kubota D722 Diesel Engine Manual So depending on what exactly you are searching, you will be able to choose ebook to suit your own need. Thank you for reading Kubota D722 Diesel Engine Manual. Maybe you have knowledge that, people have search numerous times for their favorite readings like this Kubota D722 Diesel Engine Manual, but end up in harmful downloads. Rather than reading a good book with a cup of coffee in the afternoon, instead they juggled with some harmful bugs inside their laptop. Kubota D722 Diesel Engine Manual is available in our book collection an online access to it is set as public so you can download it instantly. Our digital library spans in multiple locations, allowing you to get the most less latency time to download any of our books like this one. Merely said, Kubota D722 Diesel Engine Manual is universally compatible with any devices to read.

Find Kubota D722 Diesel Engine Manual :

i will teach you to be rich

[ibm netvista motherboard manual](#)

i love me the key to loving each other

i ching for a new age i ching for a new age

ibook g4 owners manual

[ibew neca jatc study guide](#)

[ib economics paper1 sl november 2013 markscheme](#)

iaap handbook of applied psychology

i wished for you an adoption story marianne richmond

ibm t30 user manual

ibm thinkpad t21 pc notebook manual

~~i run therefore i am nuts~~
~~i will lift up my eyes to the hills~~
~~ice manual of geotechnical engineering~~
~~i hate myselfie epub~~

Kubota D722 Diesel Engine Manual :

yuletide jelentése magyarul dictzone angol magyar szótár - Feb 11 2022

yuletide jelentése magyarul a dictzone angol magyar szótárban példamondatok kiejtés és fordítási gyakoriság egy helyen nézd meg x angol magyar szótár yuletide jelentése magyarul angol magyar yuletide yuletides noun uk ju:l taid us 'ju:l 'taid karácsony

yuletide carolers 2014 calendar pop up advent cal pdf - Oct 02 2023

2 yuletide carolers 2014 calendar pop up advent cal 2021 06 18 yuletide carolers 2014 calendar pop up advent cal downloaded from mx skylightframe com by guest arely saul the twelve days of christmas vintage all the animals are excited about a visit from santa claus in this amazing pop up book the unofficial guide to walt disney world with kids

yuletide carolers 2014 calendar pop up advent cal leigh - Jul 19 2022

jan 16 2023 if you plan to download and install the yuletide carolers 2014 calendar pop up advent cal it is certainly simple then in the past currently we extend the partner to purchase and create bargains to download and install yuletide carolers 2014

pdf yuletide carolers 2014 calendar pop up advent cal pdf - Nov 22 2022

sep 11 2023 carolers 2014 calendar pop up advent cal pdf as one of the most in action sellers here will very be along with the best options to review delia smith s christmas delia smith 1990

yuletide carolers 2014 calendar pop up advent calendar advent calendars - Jul 31 2023

sep 17 2023 yuletide carolers pop up 38 best junzo terada images illustration illustration christmas music christmas travel going places far amp near 24 meilleures images du tableau avent calendrier de l yuletide carolers pop up advent calendar cal 2014 christmas traditions pop culture wiki fandom

cal 14 yuletide carolers pop up advent seminary - Feb 23 2023

perfect for celebrating the holiday season this calendar features charming illustrations and detailed pop ups of caroling animals in a decorated town plaza with a surprise for each day of december leading up to the 25th including punch out animals and ornaments for embellishing the scene this calendar offers a fun and engaging way to count

yuletidecarolers2014calendarpopupadventcal pdf - Apr 15 2022

feb 23 2023 yuletide carolers 2014 calendar pop up advent calendar kalender gröÙe 31 1 x 0 6 x 31 1 cm 4 seiten verlag
jahr von terada junzo unser preis 1 yuletide carolers 2014 calendar pop up advent cal when somebody should go to the ebook
stores search introduction by shop shelf by shelf it is in fact

[yuletide carolers 2014 calendar pop up advent cal pdf hipertexto](#) - Dec 24 2022

you could buy lead yuletide carolers 2014 calendar pop up advent cal pdf or get it as soon as feasible you could speedily
download this yuletide carolers 2014 calendar pop up advent cal pdf after getting deal so afterward you require the book
swiftly you can straight acquire it its in view of that agreed easy and suitably fats isnt it

[yuletide song and lyrics by classic carols navidad magic](#) - Aug 20 2022

listen to yuletide on spotify classic carols navidad magic time song 2021 classic carols navidad magic time song 2021 listen to
yuletide on spotify sign up free change progress change volume loading company about jobs for the record communities for
artists developers advertising investors vendors

the yuletide carolers christmas caroler from san francisco ca - Apr 27 2023

nothing captures the magic of the season like the glorious harmonies of the yuletide carolers as they warm your guests with
unforgettable renditions of the world s best loved christmas carols adorned in authentic victorian attire and an infectious
holiday spirit these talented vocalists transform your holiday celebration into a truly special

quora a place to share knowledge and better understand the world - Mar 15 2022

we would like to show you a description here but the site won t allow us

yuletide carolers 2014 calendar pop up advent cal 2022 - Oct 22 2022

yuletide carolers 2014 calendar pop up advent cal 1 5 map index pdf yuletide carolers 2014 calendar pop up advent cal as
recognized adventure as with ease as experience approximately lesson amusement as competently as arrangement can be
gotten by just checking out a books yuletide carolers 2014 calendar pop up advent cal moreover it is not

yuletide carolers 2014 calendar pop up advent cal copy - Jan 25 2023

sep 19 2023 yuletide carolers 2014 calendar pop up advent cal 1 1 downloaded from uniport edu ng on september 19 2023

by guest yuletide carolers 2014 calendar pop up advent cal if you ally infatuation such a referred yuletide carolers 2014
calendar pop up advent cal ebook that will give you worth get the enormously best seller from us currently

[yuletide carolers 2014 calendar pop up advent calendar advent calendars](#) - Sep 01 2023

jun 10 2023 begin getting this info you could not be mystified to enjoy every book gatherings yuletide carolers 2014
calendar pop up advent calendar advent calendars by junzo terada that we will surely offer this yuletide carolers 2014
calendar pop up advent calendar advent calendars by junzo terada as one of the majority

[yuletide carolers 2014 calendar pop up advent cal uniport edu](#) - Jun 17 2022

feb 27 2023 plan to download and install the yuletide carolers 2014 calendar pop up advent cal it is unconditionally easy then in the past currently we extend the associate to buy and make bargains to download and install yuletide carolers 2014 [yuletide carolers 2014 calendar pop up advent cal full pdf](#) - May 29 2023

christmas carols ancient and modern yuletide carolers 2014 calendar pop up advent cal omb no edited by finley rowan christmas at the zoo the unofficial guides the eighth mystery in the new york times bestselling domestic diva series includes delicious recipes and entertaining tips the holidays are sophie winston s favorite time of year

yuletide carolers 2014 calendar pop up advent cal download - Jun 29 2023

yuletide carolers 2014 calendar pop up advent cal downloaded from sql gocohospitality com by guest nathan stokes bitten grand central publishing perfect for celebrating the holiday season this calendar features charming illustrations and detailed pop ups of caroling animals in a decorated town plaza with a surprise for each day of december

yuletide carolers 2014 calendar pop up advent cal pdf - May 17 2022

yuletide carolers 2014 calendar pop up advent cal 2 9 downloaded from uniport edu ng on july 18 2023 by guest garden really knows how to throw a christmas party for people and animals and winterfest at kings island provides much needed warmth in the winter chill many city squares display christmas trees bathed in lights and offer horse

amazon ca customer reviews yuletide carolers pop up advent calendar - Sep 20 2022

find helpful customer reviews and review ratings for yuletide carolers pop up advent calendar at amazon com read honest and unbiased product reviews from our users

yuletide carolers pop up advent calendar calendar amazon ca - Mar 27 2023

jul 23 2013 yuletide carolers pop up advent calendar terada junzo 9781452118833 books amazon ca

netzwerk intensivtrainer a1 deutsch als fremdspra - Nov 08 2022

web netzwerk intensivtrainer a1 deutsch als fremdspra linie 1 deutsch in alltag und beruf mar 11 2023 netzwerk neu a1 aug 04 2022 grammatik intensivtrainer buch a1 feb 10 2023 intensivtrainer a1 sep 12 2020 geni 372l klick jul 03 2022 einfach grammatik mar 31 2022 eine sammlung von grammatikübungen die lehrwerkunabhängig

netzwerk a1 intensivtrainer langpath - Mar 12 2023

web nov 13 2020 netzwerk a1 intensivtrainer pdf der intensivtrainer für netzwerk a1 kapitel 1 12 ermöglicht zusätzliches Üben von vokabeln ausdrücken und grammatik auf 5 seiten pro kapitel eignet sich besonders zur wiederholung und vertiefung zu hause kann zur internen differenzierung verwendet werden enthält alle lösungen im anhang

[netzwerk neu a1 deutsch als fremdsprache intensivtrainer netzwerk](#) - Aug 17 2023

web intensivtrainer netzwerk neu deutsch als fremdsprache 12 50 11 auf lager der intensivtrainer netzwerk neu a1 enthält training und intensivierung von grammatik wortschatz und redemitteln 12 kapitel mit Übungen gespiegelt zu den aufgaben

in kurs und Übungsbuch angebote zur binnendifferenzierung Übungen zu rechtschreibung und
netzwerk intensivtrainer a1 deutsch als fremdspra herbert - May 02 2022

web perspicacity of this netzwerk intensivtrainer a1 deutsch als fremdspra can be taken as with ease as picked to act short stories in german for beginners olly richards 2018 11 13 an unmissable collection of eight unconventional and captivating short stories for young and adult learners i love olly s work and you will too barbara oakley

netzwerk intensivtrainer a1 deutsch als fremdspra download - Feb 28 2022

web 2 netzwerk intensivtrainer a1 deutsch als fremdspra 2023 08 29 simply brushing up on your skills the everything essential german book is your perfect guide for learning to speak and write in german this portable guide covers the most important basics including the german alphabet and translation greetings and conversation

netzwerk neu a1 intensivtrainer klett sprachen - Sep 18 2023

web netzwerk neu a1 cover a1 paul rusch netzwerk neu a1 deutsch als fremdsprache intensivtrainer 80 seiten isbn 978 3 12 607158 1 lieferbar erhältlich als printausgabe 12 50 eur digitale ausgabe blinklearning für lernende 13 99 eur digitale ausgabe blinklearning für unterrichtende 13 99 eur

netzwerk a1 intensivtrainer klett sprachen - Oct 19 2023

web deutsch als fremdsprache intensivtrainer 80 seiten isbn 978 3 12 606138 4 lieferbar 13 50 eur bestellen inkl mwst zzgl versand versandkosten zum inhalt der intensivtrainer zu netzwerk a1 kapitel 1 12 ermöglicht auf 5 seiten pro kapitel zusätzliches Üben von wortschatz redemitteln und grammatik

netzwerk intensivtrainer a1 deutsch als fremdspra pdf - Jun 03 2022

web 4 netzwerk intensivtrainer a1 deutsch als fremdspra 2023 04 16 description of german dictionaries currently available and a vocabulary list of 3200 words that are commonly encountered in scholarly writings english grammar for students of german cambridge english the perfect dictionary for speakers of tok pisin who want to improve their

netzwerk neu a1 intensivtrainer deutsch als - Dec 09 2022

web sku bs07645 category language learning and teaching print version 250 print version the estimated delivery date of the print version is approximately 3 to 5 working days from the date of placing the order for any queries write to info pragationline com add to cart buy now

netzwerk neu a1 deutsch als fremdsprache intensivtrainer - May 14 2023

web netzwerk neu a1 deutsch als fremdsprache intensivtrainer worldwide bildungswerk ww b grammatik hören klett lernmaterialien lesen schreiben sprechen netzwerk neu a1 deutsch als fremdsprache intensivtrainer 12 50 printversion isbn 978 3 12 607158 1 in den warenkorb

netzwerk intensivtrainer a1 deutsch als fremdsprache lingua - Sep 06 2022

web netzwerk intensivtrainer a1 deutsch als fremdsprache helen dengler 4 9 de un máximo de 5 estrellas 12 pasta blanda 5 ofertas desde mx 930 00 libro utile per chi é alle primissime armi con la lingua tedesca che permette di immergersi subito nella lingua manual adoptado netzwerk deutsch

netzwerk neu intensivtrainer a1 deutsch als fremdsprache - Apr 13 2023

web klett sprachen gmbh netzwerk neu 2019 paul rusch der intensivtrainer netzwerk neu a1 enthält training und intensivierung von grammatik wortschatz und redemitteln 12 kapitel mit Übungen gespiegelt zu den aufgaben in kurs und Übungsbuch angebote zur binnendifferenzierung Übungen zu rechtschreibung und interpunktion

netzwerk intensivtrainer a1 deutsch als fremdspra pdf - Apr 01 2022

web netzwerk intensivtrainer a1 deutsch als fremdspra 3 10 downloaded from uniport edu ng on september 9 2023 by guest the end of a mission heinrich böll 1968 looking for humboldt searching for german footprints in new mexico and beyond erika schelby 2017 09 11 as a german american explores the colorful landscape of the american

deutsch als fremdsprache netzwerk a1 intensivtrainer - Jun 15 2023

web deutsch als fremdsprache netzwerk a1 intensivtrainer anna s archive german de pdf 114 7mb deutsch als fremdsprache netzwerk a1 intensivtrainer ernst klett sprachen 2017 paul rusch isbn 13 978 3 12 606138 4 isbn 10 3 12 606138 9 downloads 7 lists technical details

netzwerk intensivtrainer a1 deutsch als fremdspra download - Aug 05 2022

web 2 netzwerk intensivtrainer a1 deutsch als fremdspra 2022 02 06 in new mexico and beyond simon and schuster netzwerk neu führt junge erwachsene lebendig und zielsicher zu den niveaus a1 a2 und b1 und bereitet auf die prüfungen start deutsch 1 und 2 goethe zertifikat a2 telc deutsch a2 deutsch

netzwerk intensivtrainer a1 deutsch als fremdsprache lingua - Oct 07 2022

web may 18th 2020 netzwerk a1 deutsch als fremdsprache kursbuch mit 2 audio cds netzwerk deutsch als fremdsprache dengler orientation sutd edu sg 1 5 stefanie mayr sieber tanja rusch paul schmitz helen isbn 9783126061285 kostenloser versand für alle bücher mit versand und

read free netzwerk intensivtrainer a1 deutsch als fremdspra - Jul 04 2022

web netzwerk intensivtrainer a1 deutsch als fremdspra deutsch als fremdsprache integriert sep 03 2021 früher deckte deutsch als fremdsprache daf forschung und lehre des faches überwiegend ab durch die neu entstandene öffentliche aufmerksamkeit für die sprachlichen aspekte der einwanderung ist mittlerweile deutsch als

netzwerk a1 deutsch als fremdsprache intensivtrainer - Jul 16 2023

web netzwerk a1 deutsch als fremdsprache intensivtrainer der intensivtrainer zu netzwerk a1 kapitel 1 12 ermöglicht auf 5 seiten pro kapitel zusätzliches Üben von wortschatz redemitteln und grammatik eignet sich insbesondere zur wiederholung

und zur vertiefung zu hause

netzwerk neu a1 intensivtrainer bücher de - Feb 11 2023

web der intensivtrainer netzwerk neu a1 enthält training und intensivierung von grammatik wortschatz und redemitteln12 kapitel mit Übungen gespiegelt zu den aufgaben in kurs und Übungsbuchangebote zur binnendifferenzierungÜbungen

netzwerk a1 intensivtrainer pdf scribd - Jan 10 2023

web save save netzwerk a1 intensivtrainer for later 33 33 found this document useful mark this document as useful 67 67 found this document not useful herr wohnt frankfurt wo sie es gett danke 4 spricht englisch deutsch welche sprachen 5 wie du bitte kannst das buchstabieren 3a guten morgen guten tag guten abend

black beauty comprehension activities pdf - Mar 27 2022

web black beauty comprehension activities jan brett literature activities fritz and the beautiful horses jul 01 2023 these quick engaging activities help students enjoy the vibrant authentic literature of jan brett cross curricular before during and after reading activities are provided for a comprehensive study of fritz and the beautiful

black beauty classic novel literature guide comprehension activities - Sep 01 2022

web bring classic literature to life with black beauty abridged novel study guide introduce students to great literature while also improving their fluency specific reading skills comprehension and vocabulary with this easy to read abridged version of the anna sewell classic black beauty featuring 10 easy to read short chapters this classic

comprehension questions on black beauty ks3 prose teachit - Apr 08 2023

web feb 21 2023 pre 1900 series of comprehension questions activities on black beauty activities include creating true false statements for a chapter based on the ladybird classics edition suitable as an independent or supported project

black beauty macmillan education everywhere - Jun 10 2023

web 1 black beauty the story black beauty was a handsome horse with one white foot and a white star on his forehead his life started out on a farm with his mother duchess who taught him to be gentle and kind and to never bite or kick when black beauty was four years old he was sold to squire gordon of birtwick park

free unit studies and printables for the most loved books black beauty - Aug 12 2023

web may 1 2020 it is a children s story written in 1877 as an appeal for the humane treatment of horses black beauty ranks among the most famous and popular of horse stories written directly from the horse s perspective explore these free unit studies and printables for

[black beauty reading comprehension worksheet education com](#) - Mar 07 2023

web black beauty reading comprehension liberty is precious to humans and to horses your young student can read about beauty s longing for liberty in this worksheet for black beauty then he ll finish with a reading comprehension exercise and a

vocabulary quiz

[quiz worksheet black beauty study com](#) - Feb 23 2022

web reading comprehension ensure that you draw the most important information from the black beauty lesson additional learning to learn more about black beauty review the partnering information on

[black beauty reading comprehension chapters 1 3](#) - Jan 05 2023

web feb 22 2018 a wide variety of texts with an animal theme to engage and or challenge your pupils all resources in this bundle have a text for children to read from a popular children s book with an animal theme follow up comprehensions for each text differentiated three ways answers for each comprehension for ease of marking

google slides black beauty teaching guide teaching - May 09 2023

web mar 1 2021 black beauty is an easy way to engage students and bring some excitement to classic literature simply download the google slides and you re ready to start using them today interactive google slides students answer comprehension questions directly on the slides so no paper is needed

black beauty interactive worksheet - May 29 2022

web reading comprehension online activity for level 2 reading comprehension black beauty black beauty chapters 3 4 5 id 3133560 language english school subject english as a second language esl grade level level 2 age 11 18 main content reading comprehension

black beauty comprehension teaching resources tpt - Feb 06 2023

web browse black beauty comprehension resources on teachers pay teachers a marketplace trusted by millions of teachers for original educational resources february sale save up to 25 using promo code febsale23

drawing inferences questions and answers ks2 black beauty - Apr 27 2022

web featuring short story extracts from the tale of black beauty this drawing inferences activity features a range of questions for children to tackle as well as answer sheets to make marking easy plus the resource is differentiated there are three difficulty options available lower middle and higher ability

3 306 top black beauty comprehension teaching resources - Dec 04 2022

web explore more than 3 306 black beauty comprehension resources for teachers parents and pupils as well as related resources on black beauty inference instant access to inspirational lesson plans schemes of work assessment interactive activities resource packs powerpoints teaching ideas at twinkl

[reading comprehension worksheet set for black beauty](#) - Oct 14 2023

web about this worksheet black beauty is the story of a black horse in england in the 1800s written in 1877 by anna sewell it tells the story from the horse s viewpoint the story covers black beauty s life from the time he is born until his old age

[black beauty high interest classics with comprehension activities](#) - Jul 31 2022

web in the one hundred plus years since black beauty had been published over 30 million copies have been printed at least eight motion pictures have been made based on the novel and it is a well known children s classic

[86 top black beauty teaching resources curated for you twinkl](#) - Oct 02 2022

web explore more than 86 black beauty resources for teachers parents and pupils as well as related resources on black beauty inference instant access to inspirational lesson plans schemes of work assessment interactive activities resource packs powerpoints teaching ideas at twinkl

black beauty reading comprehension teaching resources - Sep 13 2023

web feb 22 2018 subject english age range 7 11 resource type worksheet activity file previews zip 682 4 kb with the opening extract included this comprehension resource includes questions and answers for this classic text by anna sewell

[2 948 top black beauty comprehension teaching resources](#) - Nov 03 2022

web instantly access twinkl s printable and digital k 12 teaching resources including worksheets ebooks games powerpoints google slides and more

[reading comprehension black beauty worksheet](#) - Jul 11 2023

web reading comprehension black beauty inspire your reluctant reader with this comprehension page featuring a passage from a classic novel black beauty your child will get to answer a few questions about this passage and then she may even want to read the whole book

[english comprehension worksheet ks2 black beauty](#) - Jun 29 2022

web sep 17 2021 age range 7 11 resource type worksheet activity file previews pdf 7 57 mb a double sided comprehension sheet on the first chapter of anna sewell s black beauty the resource was used for year 5 but is applicable for all ks2 or la send ks3 please review this resource they are all much appreciated