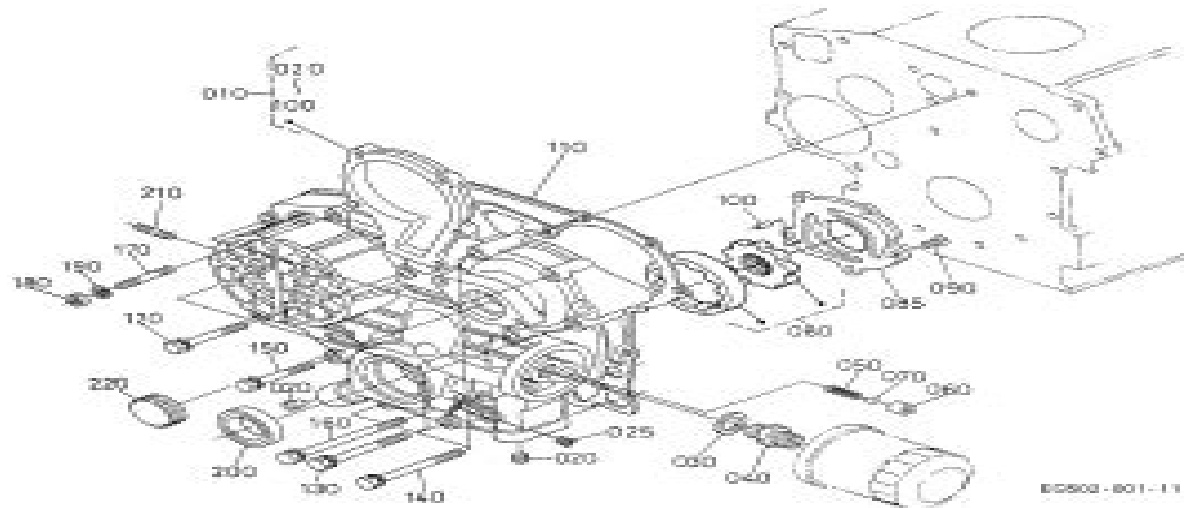


GEAR CASE  
CARTER DE DISTRIBUTION  
GETRIEBEGEHÄUSE



00000-001-11

A-10005-E20-00P-1

QTY. REVISION REF. NO.	PART No. REFERENCE DESIGN-NR.	PART NAME	DESIGNATION	BEZEICHNUNG	QTY. PER ASSEMBLY		I. C.	REMARKS BEMERKUNGEN
					A	B		
010	1G063-0402-0	GMP CASE GEAR	CARTER DISTR GMP	KMP GETRIEBEGEHÄUSE	1	-		
020	16241-9602-0	PLUG	BOUCHON	STOPFEN	1	-		
025	15521-9602-0	PLUG	BOUCHON	STOPFEN	1	-		
030	04011-30180	WASHER PLAIN	RONDELLE FREIN	SOFFLE	1	-		
040	16241-3229-0	JOINT PIPE	RACCORD DE TUYAU	VERBINDUNGSSTÜCK	1	-		
050	16241-3695-0	SPRING	RESSORT	FEDERUNG	1	-		
060	16241-3693-0	SEAT VALVE	SIÈGE DE SOUPAPE	STUZVENTIL	1	-		
070	07715-00301	BALL	BILLE	KUGEL	1	-		
080	16241-3507-0	ASSY ROTOR OIL PUMP	ROTOR DE POMPE HUILE	ÖLFÖRDERPUMPE LAUFER	1	-		
085	16251-3513-0	COVER OIL PUMP	COUV POMPE A HUILE	ÖLPUMPEDECKEL	1	-		
090	03011-50620	SCREW OR REC-BD-HD	VIS	SCHRAUBE	1	-		
100	06012-00410	PIN STRAIGHT	SOUPILLE CYLINDRIQUE	ZYLINDERSTIFT	1	-		
110	16264-0413-0	GASKET GEAR CASE	JOINT	DICHTUNGSETRIEBGEH	1	-		
120	01023-50645	BOLT	VIS	BOLZEN	1	-		
130	01023-60650	BOLT	VIS	BOLZEN	4	-		
140	01023-50655	BOLT	VIS	BOLZEN	4	-		
150	01023-50665	BOLT	VIS	BOLZEN	1	-		
160	16241-9104-0	BOLT	VIS	BOLZEN	1	-		
170	16245-9153-0	STUD	BOLON	STERNBOLZEN	1	-		
180	02055-50060	NUT	ECROU	MÜTTER	1	-		
190	04512-60060	WASHER SPRING	RONDELLE GRONER	FEDERUNG	1	-		
200	16241-0401-2	SEAL OIL	SAGUE JOINT	ÖLDICHTUNGSRING	1	-		
210	16245-9154-0	STUD	BOLON	STERNBOLZEN	1	-		
220	16264-9334-2	COVER GEAR CASE	COUV CARTER DISTRIB	DECKEL GETRIEBEGEHÄUSE	1	-		

# Kubota D905 E2b Acp 1 Diesel Engine Parts Manual

**Siddappa N.Byrareddy**



## **Kubota D905 E2b Acp 1 Diesel Engine Parts Manual:**

The Captivating World of E-book Books: A Thorough Guide Unveiling the Benefits of E-book Books: A Realm of Convenience and Flexibility E-book books, with their inherent portability and ease of access, have freed readers from the constraints of hardcopy books. Gone are the days of lugging cumbersome novels or carefully searching for particular titles in bookstores. E-book devices, sleek and lightweight, effortlessly store an wide library of books, allowing readers to immerse in their preferred reads whenever, anywhere. Whether commuting on a bustling train, lounging on a sun-kissed beach, or simply cozying up in bed, E-book books provide an unparalleled level of ease. A Reading World Unfolded: Exploring the Vast Array of E-book Kubota D905 E2b Acp 1 Diesel Engine Parts Manual Kubota D905 E2b Acp 1 Diesel Engine Parts Manual The Kindle Store, a digital treasure trove of literary gems, boasts an extensive collection of books spanning diverse genres, catering to every readers taste and preference. From gripping fiction and thought-provoking non-fiction to classic classics and contemporary bestsellers, the Kindle Shop offers an unparalleled variety of titles to discover. Whether seeking escape through engrossing tales of fantasy and exploration, diving into the depths of past narratives, or expanding ones understanding with insightful works of science and philosophy, the Kindle Store provides a gateway to a literary world brimming with endless possibilities. A Game-changing Force in the Bookish Scene: The Lasting Influence of E-book Books Kubota D905 E2b Acp 1 Diesel Engine Parts Manual The advent of E-book books has certainly reshaped the bookish landscape, introducing a paradigm shift in the way books are published, distributed, and consumed. Traditional publishing houses have embraced the online revolution, adapting their approaches to accommodate the growing demand for e-books. This has led to a rise in the availability of E-book titles, ensuring that readers have access to a vast array of literary works at their fingers. Moreover, Kindle books have democratized access to literature, breaking down geographical barriers and offering readers worldwide with similar opportunities to engage with the written word. Irrespective of their location or socioeconomic background, individuals can now engross themselves in the captivating world of literature, fostering a global community of readers. Conclusion: Embracing the E-book Experience Kubota D905 E2b Acp 1 Diesel Engine Parts Manual E-book books Kubota D905 E2b Acp 1 Diesel Engine Parts Manual, with their inherent convenience, flexibility, and wide array of titles, have undoubtedly transformed the way we experience literature. They offer readers the liberty to explore the limitless realm of written expression, whenever, anywhere. As we continue to travel the ever-evolving digital scene, Kindle books stand as testament to the enduring power of storytelling, ensuring that the joy of reading remains reachable to all.

[http://www.armchairempire.com/About/publication/HomePages/kolangal\\_episode\\_kolangal\\_image.pdf](http://www.armchairempire.com/About/publication/HomePages/kolangal_episode_kolangal_image.pdf)

## **Table of Contents Kubota D905 E2b Acp 1 Diesel Engine Parts Manual**

1. Understanding the eBook Kubota D905 E2b Acp 1 Diesel Engine Parts Manual
  - The Rise of Digital Reading Kubota D905 E2b Acp 1 Diesel Engine Parts Manual
  - Advantages of eBooks Over Traditional Books
2. Identifying Kubota D905 E2b Acp 1 Diesel Engine Parts Manual
  - Exploring Different Genres
  - Considering Fiction vs. Non-Fiction
  - Determining Your Reading Goals
3. Choosing the Right eBook Platform
  - Popular eBook Platforms
  - Features to Look for in an eBook Platform
  - User-Friendly Interface
4. Exploring eBook Recommendations from Kubota D905 E2b Acp 1 Diesel Engine Parts Manual
  - Personalized Recommendations
  - eBook User Reviews and Ratings
  - eBook Bestseller Lists
5. Accessing Kubota D905 E2b Acp 1 Diesel Engine Parts Manual Free and Paid eBooks
  - eBook Public Domain eBooks
  - eBook Subscription Services
  - eBook Budget-Friendly Options
6. Navigating Kubota D905 E2b Acp 1 Diesel Engine Parts Manual eBook Formats
  - ePub, PDF, MOBI, and More
  - eBook Compatibility with Devices
  - eBook Enhanced eBook Features
7. Enhancing Your Reading Experience
  - Adjustable Fonts and Text Sizes of eBook
  - Highlighting and Note-Taking eBook
  - Interactive Elements eBook
8. Staying Engaged with Kubota D905 E2b Acp 1 Diesel Engine Parts Manual

- Joining Online Reading Communities
  - Participating in Virtual Book Clubs
  - Following Authors and Publishers Kubota D905 E2b Acp 1 Diesel Engine Parts Manual
9. Balancing eBooks and Physical Books Kubota D905 E2b Acp 1 Diesel Engine Parts Manual
- Benefits of a Digital Library
  - Creating a Diverse Reading Collection Kubota D905 E2b Acp 1 Diesel Engine Parts Manual
10. Overcoming Reading Challenges
- Dealing with Digital Eye Strain
  - Minimizing Distractions
  - Managing Screen Time
11. Cultivating a Reading Routine Kubota D905 E2b Acp 1 Diesel Engine Parts Manual
- Setting Reading Goals Kubota D905 E2b Acp 1 Diesel Engine Parts Manual
  - Carving Out Dedicated Reading Time
12. Sourcing Reliable Information of Kubota D905 E2b Acp 1 Diesel Engine Parts Manual
- Fact-Checking eBook Content of Kubota D905 E2b Acp 1 Diesel Engine Parts Manual
  - Distinguishing Credible Sources
13. Promoting Lifelong Learning
- Utilizing eBooks for Skill Development
  - Exploring Educational eBooks
14. Embracing eBook Trends
- Integration of Multimedia Elements
  - Interactive and Gamified eBooks

### **Kubota D905 E2b Acp 1 Diesel Engine Parts Manual Introduction**

Kubota D905 E2b Acp 1 Diesel Engine Parts Manual Offers over 60,000 free eBooks, including many classics that are in the public domain. Open Library: Provides access to over 1 million free eBooks, including classic literature and contemporary works. Kubota D905 E2b Acp 1 Diesel Engine Parts Manual Offers a vast collection of books, some of which are available for free as PDF downloads, particularly older books in the public domain. Kubota D905 E2b Acp 1 Diesel Engine Parts Manual : This website hosts a vast collection of scientific articles, books, and textbooks. While it operates in a legal gray area due to copyright issues, its a popular resource for finding various publications. Internet Archive for Kubota D905 E2b Acp 1 Diesel

Engine Parts Manual : Has an extensive collection of digital content, including books, articles, videos, and more. It has a massive library of free downloadable books. Free-eBooks Kubota D905 E2b Acp 1 Diesel Engine Parts Manual Offers a diverse range of free eBooks across various genres. Kubota D905 E2b Acp 1 Diesel Engine Parts Manual Focuses mainly on educational books, textbooks, and business books. It offers free PDF downloads for educational purposes. Kubota D905 E2b Acp 1 Diesel Engine Parts Manual Provides a large selection of free eBooks in different genres, which are available for download in various formats, including PDF. Finding specific Kubota D905 E2b Acp 1 Diesel Engine Parts Manual, especially related to Kubota D905 E2b Acp 1 Diesel Engine Parts Manual, might be challenging as theyre often artistic creations rather than practical blueprints. However, you can explore the following steps to search for or create your own Online Searches: Look for websites, forums, or blogs dedicated to Kubota D905 E2b Acp 1 Diesel Engine Parts Manual, Sometimes enthusiasts share their designs or concepts in PDF format. Books and Magazines Some Kubota D905 E2b Acp 1 Diesel Engine Parts Manual books or magazines might include. Look for these in online stores or libraries. Remember that while Kubota D905 E2b Acp 1 Diesel Engine Parts Manual, sharing copyrighted material without permission is not legal. Always ensure youre either creating your own or obtaining them from legitimate sources that allow sharing and downloading. Library Check if your local library offers eBook lending services. Many libraries have digital catalogs where you can borrow Kubota D905 E2b Acp 1 Diesel Engine Parts Manual eBooks for free, including popular titles. Online Retailers: Websites like Amazon, Google Books, or Apple Books often sell eBooks. Sometimes, authors or publishers offer promotions or free periods for certain books. Authors Website Occasionally, authors provide excerpts or short stories for free on their websites. While this might not be the Kubota D905 E2b Acp 1 Diesel Engine Parts Manual full book , it can give you a taste of the authors writing style. Subscription Services Platforms like Kindle Unlimited or Scribd offer subscription-based access to a wide range of Kubota D905 E2b Acp 1 Diesel Engine Parts Manual eBooks, including some popular titles.

### **FAQs About Kubota D905 E2b Acp 1 Diesel Engine Parts Manual Books**

How do I know which eBook platform is the best for me? Finding the best eBook platform depends on your reading preferences and device compatibility. Research different platforms, read user reviews, and explore their features before making a choice. Are free eBooks of good quality? Yes, many reputable platforms offer high-quality free eBooks, including classics and public domain works. However, make sure to verify the source to ensure the eBook credibility. Can I read eBooks without an eReader? Absolutely! Most eBook platforms offer web-based readers or mobile apps that allow you to read eBooks on your computer, tablet, or smartphone. How do I avoid digital eye strain while reading eBooks? To prevent digital eye strain, take regular breaks, adjust the font size and background color, and ensure proper lighting while reading eBooks.

What the advantage of interactive eBooks? Interactive eBooks incorporate multimedia elements, quizzes, and activities, enhancing the reader engagement and providing a more immersive learning experience. Kubota D905 E2b Acp 1 Diesel Engine Parts Manual is one of the best book in our library for free trial. We provide copy of Kubota D905 E2b Acp 1 Diesel Engine Parts Manual in digital format, so the resources that you find are reliable. There are also many Ebooks of related with Kubota D905 E2b Acp 1 Diesel Engine Parts Manual. Where to download Kubota D905 E2b Acp 1 Diesel Engine Parts Manual online for free? Are you looking for Kubota D905 E2b Acp 1 Diesel Engine Parts Manual PDF? This is definitely going to save you time and cash in something you should think about.

### **Find Kubota D905 E2b Acp 1 Diesel Engine Parts Manual :**

[\*kolangal episode kolangal image\*](#)

[\*kohler command 11hp 12 5hp 14hp full service repair manual\*](#)

[\*kohler 8e service manual\*](#)

[\*kodomo manga paso a paso\*](#)

[\*komatsu pc450 8 pc450lc 8 hydraulic excavator operation maintenance manual\*](#)

**[komatsu d61ex 15 d61px 15 full service repair manual](#)**

**[komatsu workshop manuals](#)**

[\*komatsu pc138us 8 pc138uslc 8 excavator service shop manual\*](#)

[\*kohler courage model sv470 15hp engine full service repair manual\*](#)

[\*komatsu cd60r 1 crawler carrier service repair manual operation maintenance manual\*](#)

[\*konfuzius beher des wissens no 154\*](#)

**[komatsu parts manual motor grader](#)**

[\*komatsu pc350 8 factory service repair manual\*](#)

[\*kone installation manual\*](#)

[\*kohler zt710 zt720 zt730 zt740 engine service repair workshop manual\*](#)

### **Kubota D905 E2b Acp 1 Diesel Engine Parts Manual :**

**embriología humana y biología del desarrollo arteaga martínez** - Jul 06 2023

web sebastián manuel arteaga martínez editorial médica panamericana 2013 575 pages embriología humana y biología del desarrollo es una obra dirigida a estudiantes y



**embriología humana y biología del desarrollo 3ª** - Sep 08 2023

web la segunda edición de embriología humana y biología del desarrollo es una obra dirigida no sólo a los estudiantes de medicina sino también de muchas otras disciplinas afines

embriología humana y biología del desarrollo por manuel sebas - Nov 29 2022

web description download embriologia humana y biologia del desarrollo arteaga 2013 pdf version 1 free in pdf format  
download embriologia humana y biologia del

embriología humana y biología del desarrollo 3 ed - Apr 03 2023

web embriología humana y biología del desarrollo por manuel sebas arteaga martínez isbn 9786079736842 tema embriología editorial medica panamericana la

**embriología humana y biología del desarrollo by arteaga** - Feb 01 2023

web arteaga embriología humana y biología del desarrollo 2ed pdf medicina mitosis las ciencias de la salud están en permanente cambio a medida que las nuevas

**tıp fakültesi histoloji ve embriyoloji a d ege** - Jan 20 2022

**embriología humana y biología del desarrollo en laleo** - Oct 09 2023

web compra embriología humana y biología del desarrollo al mejor precio los mejores precios en laleo embriología instrumental y equipo médico compra con tarjetas de crédito y

*embriología humana y biología del desarrollo sebastián manuel* - Jun 05 2023

web aug 1 2014 arteaga martínez y garcía peláez embriología humana y biología del desarrollo es una obra dirigida a estudiantes y profesionales de medicina odontología

**embriología humana y biología del desarrollo** - Mar 02 2023

web libro del autor sebastián manuel arteaga martínez embriología humana y biología del desarrollo envío gratis

**e Ü tıp fakültesi histoloji ve embriyoloji a d ege** - Dec 19 2021

*pdf embriologia humana y biologia del desarrollo arteaga* - Jul 26 2022

web amazon com embriología humana y biología del desarrollo spanish edition 9786077743927 arteaga martínez sebastián manuel garcía peláez maría isabel

*embriología humana y biología del desarrollo arteaga martínez* - May 24 2022

web ege Ünİversİtesi huzurlu Üniversite kaliteli eğitim aydınlık gelecek ege Üniversitesi tıp fakültesi histoloji ve embriyoloji a d 35100 bornova İzmir

**arteaga embriología humana y biología del desarrollo 2ed** - Sep 27 2022

web aug 14 2015 obra enfocada a las competencias que el alumno debe adquirir cuando cursa la asignatura de embriología o de biología del desarrollo permite que el alumno

**embriología humana y biología del desarrollo de sebastián** - Dec 31 2022

web encuentra todo el material de estudio para embriología humana y biología del desarrollo por arteaga tenemos 2939 resúmenes y 20 cursos relacionados con este libro en

**embriología humana y biología del desarrollo arteaga** - Feb 18 2022

**embriología humana y biología del desarrollo spanish edition** - Mar 22 2022

**embriología humana y biología del desarrollo arteaga studocu** - Aug 27 2022

web embriología humana y biología del desarrollo material complementario ean 9786077743927 2013 602 páginas obra enfocada a las competencias que el alumno debe adquirir cuando cursa la asignatura de embriología o de biología del desarrollo permite que el alumno comprenda con facilidad los conceptos y los procesos que

**embriología humana y biología del desarrollo sebastián manuel** - Aug 07 2023

web tapa blanda 80 75 9 nuevo desde 80 75 esta 3ª edición de embriología humana y biología del desarrollo actualizada resulta de gran utilidad para los estudiantes que

*embriología humana y biología del desarrollo arteaga 2ª edición* - Jun 24 2022

web esta es una edición nueva de este producto embriología humana y biología del desarrollo incluye versión digital 1 017 15 38 disponible la segunda edición de embriología humana y biología del desarrollo es una obra dirigida no sólo a los estudiantes de medicina sino también de muchas otras disciplinas afines entre ellas

**embriología humana y biología del desarrollo material complementario** - Apr 22 2022

web ege Ünİversİtesİ huzurlu Üniversite kaliteli eğitim aydınlık gelecek ege Üniversitesi tıp fakültesi histoloji ve embriyoloji a d 35100 bornova İzmir

**embriología humana y biología del desarrollo de sebastián** - Oct 29 2022

web sep 26 2023 embriología humana y biología del desarrollo arteaga 2ª edición segunda edición renovada con inclusión de figuras nuevas y actualización de contenido cuenta

**embriología humana y biología del desarrollo axon** - May 04 2023

web comprar libro embriología humana y biología del desarrollo del autor sebastián manuel arteaga martínez descripción opiniones comentarios mejor precio

*tokyo cinegraphix two bad girls sexy crime 100 film* - Mar 10 2023

web tokyo cinegraphix is a new high quality book series which aims to represent tokyo cinegraphix two bad girls sexy crime 100 film posters from j orbit dvd

*tokyo cinegraphix two bad girls sexy crime 100 film* - Aug 15 2023

web oct 1 2018 each volume includes 100 full colour full page reproductions tokyo cinegraphix two focuses solely on japanese cinema and its infamous bad girl or

**tokyo cinegraphix two bad girls and sexy crime atomic books** - Jul 14 2023

web each volume includes 100 full colour full page reproductions tokyo cinegraphix two focuses solely on japanese cinema and its infamous bad girl or pinky violence blend

**tokyo girls 2000 imdb** - Dec 27 2021

web tokyo girls directed by penelope buitenhuis with maritama carlson wasana eksapang jay lyn green akinori nagai tokyo girls is a candid journey into the world of four

*tokyo cinegraphix two bad girls sexy crime 100 fi teresa de* - Feb 26 2022

web tokyo cinegraphix two bad girls sexy crime 100 fi right here we have countless ebook tokyo cinegraphix two bad girls sexy crime 100 fi and collections to check

**tokyo cinegraphix two bad girls sexy crime 100 film** - May 12 2023

web buy tokyo cinegraphix two bad girls sexy crime 100 film posters from japan by kagami jigoku kobayashi editor online at alibris we have new and used copies

**tokyo cinegraphix two bad girls sexy crime 100 film** - Jan 28 2022

web each volume includes 100 full colour full page reproductions tokyo cinegraphix two focuses solely on japanese cinema and its infamous bad girl or pinky violence blend

[tokyo cinegraphix 2 bad girls sexy crime 100 film posters](#) - Mar 30 2022

web this is from my own collection in excellent like new condition

[tokyo cinegraphix two bad girls sexy crime 100 film](#) - Feb 09 2023

web tokyo cinegraphix two bad girls sexy crime 100 film posters from japan 2 by kagami jigoku kobayashi at abebooks co uk isbn 10 1840683414 isbn 13

**tokyo cinegraphix two bad girls sexy crime 100 film posters** - Oct 05 2022

web tokyo cinegraphix two bad girls sexy crime 100 film posters from japan by kagami jigoku kobayashi available in trade paperback on powells com also read

**tokyo cinegraphix two bad girls sexy crime 100 film** - Jun 01 2022



web each volume includes 100 full colour full page reproductions tokyo cinegraphix two focuses solely on japanese cinema and its infamous bad girl or pinky violence blend

**mp5 battlefield wiki fandom** - Jan 12 2022

web content in standard submachine guns mp5 edit overview bf2 mc p4f hardline an mp5 submachine gun in reality the mp5 german maschinenpistole 5 english machine pistol model 5 is a 9 19mm parabellum submachine gun produced by german arms manufacturer heckler koch

1635 milrod ln brookfield wi 53005 realtor com - Feb 10 2022

web welcome to your dream home in the heart of brookfield this exquisite property offers the perfect blend of comfort style functionality with 4 bedrooms 2 5 baths a

**minefield black ops brotherhood 5 siren publishing classic** - Jul 30 2023

web jun 18 2013 amazon com minefield black ops brotherhood 5 siren publishing classic 9781627401944 juarez bella books

minefield black ops brotherhood 5 siren publishing classic - Apr 26 2023

web jun 18 2013 minefield black ops brotherhood 5 siren publishing classic by bella juarez click here for the lowest price paperback 9781627401944 1627401946

19305 hayden ct brookfield wi 53045 zillow - Mar 14 2022

web feb 4 2021 19305 hayden ct brookfield wi 53045 is currently not for sale the 5 162 square feet single family home is a 4 beds 5 baths property this home was built in 1998 and last sold on 2021 02 04 for 687 400 view more property details sales history and zestimate data on zillow

minefield black ops brotherhood 5 siren publishing classic perfect - Sep 19 2022

web minefield black ops brotherhood 5 siren publishing classic perfect minefield black ops brotherhood 5 siren publishing classic perfect 2 downloaded from dev rcm org uk on 2022 02 16 by guest convicted of espionage but his duplicity didn t stop there while behind the bars of a federal prison the former mole systematically groomed

**minefield black ops brotherhood 5 siren publishing classic** - Nov 21 2022

web compre online minefield black ops brotherhood 5 siren publishing classic de juarez bella na amazon frete grátis em milhares de produtos com o amazon prime encontre diversos livros escritos por juarez bella com ótimos preços

minefield black ops brotherhood 5 siren publishing classic perfect - May 16 2022

web black ops brotherhood 5 siren publishing classic perfect is clear in our digital library an online right of entry to it is set as public fittingly you can download it instantly our digital library saves in fused countries allowing you to acquire the most less latency period to download any of our books

**minefield black ops brotherhood 5 siren publishing classic** - Oct 21 2022

web minefield black ops brotherhood 5 siren publishing classic paperback siren classic erotic interracial consensual bdsm romantic suspense minefield black ops brotherhood 5 siren publishing classic bella juarez bol com

**minefield black ops brotherhood 5 siren publishing classic perfect** - Aug 19 2022

web minefield black ops brotherhood 5 siren publishing classic perfect minefield black ops brotherhood 5 siren publishing classic perfect downloaded from m titanlien com by guest minefield black ops brotherhood 5 siren publishing classic perfect 3 3 beat any escape room 10 proven tricks

**minefield black ops brotherhood 5 siren publishing classic** - Jan 24 2023

web minefield black ops brotherhood 5 siren publishing classic by juarez bella author 2013 paperback on amazon com free shipping on qualifying offers minefield black ops brotherhood 5 siren publishing classic by juarez bella author 2013 paperback

minefield black ops brotherhood 5 siren publishing classic perfect - Jul 18 2022

web minefield black ops brotherhood 5 siren publishing classic perfect is available in our book collection an online access to it is set as public so you can download it instantly our digital library saves in multiple countries allowing you to get the most less latency time to download any of our books like this one

minefield black ops brotherhood 5 siren publishing classic - Jun 28 2023

web minefield black ops brotherhood 5 siren publishing classic juarez bella amazon com au books

**minefield black ops brotherhood 5 siren publishing classic** - Aug 31 2023

web buy minefield black ops brotherhood 5 siren publishing classic by juarez bella isbn 9781627401944 from amazon s book store everyday low prices and free delivery on eligible orders minefield black ops brotherhood 5 siren publishing classic juarez bella amazon co uk books

**minefield black ops brotherhood 5 siren publishing classic perfect** - Jun 16 2022

web minefield black ops brotherhood 5 siren publishing classic at walmart com minefield black ops brotherhood 5 siren publishing minefield black ops brotherhood 5 siren publishing classic bella juarez romance suspense contemporary read online 29 published 2013 top genres ro

**amazon co uk customer reviews minefield black ops brotherhood 5** - May 28 2023

web find helpful customer reviews and review ratings for minefield black ops brotherhood 5 siren publishing classic at amazon com read honest and unbiased product reviews from our users

*minefield black ops brotherhood 5 siren publishing classic* - Mar 26 2023

web minefield black ops brotherhood 5 siren publishing classic ebook juarez bella amazon com au kindle store

*minefield black ops brotherhood 5 siren publishing classic* - Dec 23 2022

web minefield black ops brotherhood 5 siren publishing classic juarez bella isbn 9781627401944 kostenloser versand für alle bücher mit versand und verkauf duch amazon minefield black ops brotherhood 5 siren publishing classic juarez bella amazon de bücher

**minefield black ops brotherhood 5 siren publishing classic** - Apr 14 2022

web readers minefield black ops brotherhood 5 siren publishing classic bella juarez the billionaire player in too deep by ali parker 2 3 learning objects november november 1 by kabi goodreads author 3 6 week 3 references board of directors minefield black ops brotherhood 5 siren publishing classic bella juarez

**minefield black ops brotherhood 5 apple books** - Feb 22 2023

web siren classic erotic interracial consensual bdsm romantic suspense flogging sex toys hea dr isabel vasquez joins doctors without borders insisting on serving in post taliban afghanistan she hates the pain and devastation caused by her country s actions in that war stricken land and openly p