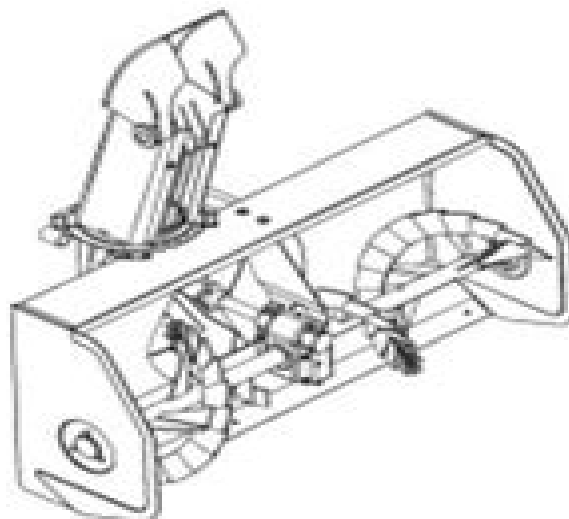


Kubota



OPERATOR'S AND PARTS MANUAL

50" SNOWBLOWER - BX2750D

**FOR BX SERIES, B7300, B7400HSD, B7500DT/HSD,
B7510DT/HSD, B7610HSD, B2410, B2320, B2620
AND B2920 TRACTORS**

SERIAL NO. 2800426 AND UP

OM 02875B-A
06-09

MANUAL PART NUMBER 77700-00663

Kubota G2015 Owners Manual

M Mark



Kubota G2015 Owners Manual:

Mergent International Manual, 2009 **Blood Works: An Owner's Guide** Shannon L. Farmer, Irwin Gross, Aryeh Shander, 2022-11-29 Much has been published on heart health kidney health and gut health But how many of us are aware of our blood health Is your blood as healthy as it should be How would you even know Blood Works is a fascinating new blood owners guide to help you care for the health of your most precious fluid your blood About 2 billion people globally are anemic and almost as many suffer from iron deficiency without anemia Many don't even know they have it just feeling tired lethargic and foggy headed Sound familiar Over 600 million more suffer from acute or sometimes unrecognized chronic blood loss from causes such as heavy menstrual bleeding obstetric hemorrhage gastrointestinal bleeding surgery and trauma Anemia iron deficiency and bleeding are signs of blood failure and have major negative health effects Blood Works with contributions from 48 leading international medical experts is a must have book for all who want to look after their blood health Your blood is the essential fluid that keeps you alive Yet while many of us know our cholesterol level and blood pressure few of us are aware of our blood count What we don't know can affect our everyday quality of life and put us at risk if we have bleeding an injury or require hospitalization Blood and the vessels that contain it make up the largest organ system in the body Its balance and health must be maintained For many decades the treatment of first resort for anemia and blood loss has been blood transfusion which is essentially a liquid organ transplant from another person In heart failure or kidney failure organ transplantation is not first line treatment In blood failure blood transplantation should not be the first thing we reach for Since the 1990s scientific research has shown that the common use of blood transfusion is not the most effective treatment in many medical situations It has been identified as one of the most overused treatments in modern medicine costing billions of dollars while causing changes in the recipient's immune system that may increase the risk of complications and death In October 2021 the World Health Organization called for the urgent global implementation of Patient Blood Management PBM stating our own blood is still the best thing to have in our veins Blood Works is one of the most exciting books on blood health you will read The book zooms in on why medical experts from around the world now recognize the need for fundamental change in the way a patient's blood is managed Known as PBM Patient Blood Management places the person receiving treatment at the center of decisions involving their lifeblood Its aim is to improve general health and treatment outcomes by managing and preserving a patient's own blood while empowering them to share in making decisions Meticulously researched and referenced masterfully illustrated and featuring personal stories from patients and their families Blood Works is a compelling read It will have a profound impact on your health and the health of your loved ones and is an invaluable resource for health care professionals *CCN Proteins* Masaharu Takigawa, 2022-11-12 This second edition volume expands on the previous edition with updated methodologies and practical tips to overcome obstacles associated with experimentation pertaining to chemistry biology physiology pathology medical and dental sciences and pharmacology of CCN proteins The

chapters in this book cover topics such as CCN4 immunofluorescence for tissue microarray utilizing public molecular biological databases for CCN family research the effects of CCN4 on pancreatic beta cell proliferation gene expression analysis of CCNs novel cell biological assays for measuring bone remodeling activities of CCN proteins and the function of CCN2 in tubular epithelium cells with a focus on renal fibrogenesis Written in the highly successful Methods in Molecular Biology series format chapters include introductions to their respective topics lists of the necessary materials and reagents step by step readily reproducible laboratory protocols and tips on troubleshooting and avoiding known pitfalls Cutting edge and comprehensive CCN Proteins Methods and Protocols Second Edition is a valuable resource for experienced CCN researchers looking for new approaches and novice researchers just starting out in the field of CCN research **PIANC**

Yearbook 2015 PIANC HQ, *Fire Science and Technology 2015* Kazunori Harada, Ken Matsuyama, Keisuke Himoto, Yuji Nakamura, Kaoru Wakatsuki, 2016-10-04 This book focuses on topics in the entire spectrum of fire safety science targeting research in fires explosions combustion science heat transfer fluid dynamics risk analysis structural engineering and other subjects The book contributes to a gain in advanced scientific knowledge and presents or advances new ideas in all topics in fire safety science Two decades ago the 1st Asia Oceania Symposium on Fire Science and Technology was held in Hefei China Since then the Asia Oceania Symposia have grown in size and quality This book reflecting that growth helps readers to understand fire safety technology design and methodology in diverse areas including historical buildings photovoltaic panels batteries and electric vehicles *Foundations of Probabilistic Logic Programming* Fabrizio Riguzzi, 2023-07-07 Since its birth the field of Probabilistic Logic Programming has seen a steady increase of activity with many proposals for languages and algorithms for inference and learning This book aims at providing an overview of the field with a special emphasis on languages under the Distribution Semantics one of the most influential approaches The book presents the main ideas for semantics inference and learning and highlights connections between the methods Many examples of the book include a link to a page of the web application <http://cplint.eu> where the code can be run online This 2nd edition aims at reporting the most exciting novelties in the field since the publication of the 1st edition The semantics for hybrid programs with function symbols was placed on a sound footing Probabilistic Answer Set Programming gained a lot of interest together with the studies on the complexity of inference Algorithms for solving the MPE and MAP tasks are now available Inference for hybrid programs has changed dramatically with the introduction of Weighted Model Integration With respect to learning the first approaches for neuro symbolic integration have appeared together with algorithms for learning the structure for hybrid programs Moreover given the cost of learning PLPs various works proposed language restrictions to speed up learning and improve its scaling [Lost But Found](#) Robert Kimber, 2023-10-15 Robert Kimber has led a largely rural life as a farmer writer and woodsman The essays gathered in this wide ranging collection reflect a lifetime of adventures and misadventures Kimber writes of canoeing and fishing stubborn sheep and old tractors and the joys of roaming the woods with his dog

Seasoned with a dash of wit and self irony this paean to the upcountry life is as fresh and bracing as it is affectionate The Perils of International Capital Faisal Z. Ahmed,2020 Shows how financial globalization can be perilous holding the capacity to finance the durability of authoritarian governments Nanotechnology in Electronics Visakh P. M.,Artem Semkin,Raneesh Balakrishnan,Sasa Lazovic,2022-10-03 Nanotechnology in Electronics Enables readers to understand and apply state of the art concepts surrounding modern nanotechnology in electronics Nanotechnology in Electronics summarizes numerous research accomplishments in the field covering novel materials for electronic applications such as graphene nanowires and carbon nanotubes and modern nanoelectronic devices such as biosensors optoelectronic devices flexible electronics nanoscale batteries and nanogenerators that are used in many different fields such as sensor technology energy generation data storage and biomedicine Edited by four highly qualified researchers and professionals in the field other specific sample topics covered in Nanotechnology in Electronics include Graphene based nanoelectronics biosensors including the history properties and fundamentals of graphene plus fundamentals of graphene derivatives and the synthesis of graphene Zinc oxide piezoelectronic nanogenerators for low frequency applications with an introduction to zinc oxide and zinc oxide piezoelectric nanogenerators Investigation of the hot junctionless mosfets including an overview of the junctionless paradigm and a simulation framework of the hot carrier degradation Conductive nanomaterials for printed flexible electronics application and metal oxide semiconductors for non invasive diagnosis of breast cancer The fundamental aspects and applications of multiferroic based spintronic devices and quartz tuning fork based nanosensors Containing in depth information on the topic and written intentionally to help with the practical application of concepts described within Nanotechnology in Electronics is a must have reference for materials scientists electronics engineers and engineering scientists who wish to understand and harness the state of the art in the field **Globalization, Productivity and Production Networks in ASEAN** Fithra Faisal Hastiadi,2019-08-31 This book examines the challenges that ASEAN Association of Southeast Asian Nations members need to overcome in order to sustain and intensify economic growth The ASEAN market is widely regarded as a new hub of growth not least in light of increasing protectionism and declining economic growth of the three largest countries in Northeast Asia China Japan and South Korea Contributors address a range of issues with a concentrated focus on evidence from Indonesia including globalisation increasing populism trade FDI the benefits of the production network and related issues such as spill over crises innovation and technology and selected sectoral commodity and policy analysis of Indonesia This book analyses and explains the relationship between trade and foreign direct investment and technical changes with regard to improving productivity in the supply side economic growth model using in particular Indonesia as the de facto leader of ASEAN This book will be of interest to academics and students specialising in international economics and international development **Intelligent Robotics and Applications** Honghai Liu,Naoyuki Kubota,Xiangyang Zhu,Rüdiger Dillmann,Dalin Zhou,2015-08-19 This three volume set LNAI 9244 9245 and

9246 constitutes the refereed proceedings of the 8th International Conference on Intelligent Robotics and Applications ICIRA 2015 held in Portsmouth UK in August 2015 The 46 papers included in the third volume are organized in topical sections on mobile robots and intelligent autonomous systems intelligent system and cybernetics robot mechanism and design robotic vision recognition and reconstruction and active control in tunneling boring machine

Spatial Modeling in GIS and R for Earth and Environmental Sciences Hamid Reza Pourghasemi, Candan Gokceoglu, 2019-01-18 Spatial Modeling in GIS and R for Earth and Environmental Sciences offers an integrated approach to spatial modelling using both GIS and R Given the importance of Geographical Information Systems and geostatistics across a variety of applications in Earth and Environmental Science a clear link between GIS and open source software is essential for the study of spatial objects or phenomena that occur in the real world and facilitate problem solving Organized into clear sections on applications and using case studies the book helps researchers to more quickly understand GIS data and formulate more complex conclusions The book is the first reference to provide methods and applications for combining the use of R and GIS in modeling spatial processes It is an essential tool for students and researchers in earth and environmental science especially those looking to better utilize GIS and spatial modeling Offers a clear interdisciplinary guide to serve researchers in a variety of fields including hazards land surveying remote sensing cartography geophysics geology natural resources environment and geography Provides an overview methods and case studies for each application Expresses concepts and methods at an appropriate level for both students and new users to learn by example

Mechanics and Mechatronics (icmm2015) - Proceedings of the 2015 International Conference A. Mehran Shahhosseini, 2015-11-02 This proceedings brings together one hundred and fifty two selected papers presented at the 2015 International Conference on Mechanics and Mechatronics ICMM 2015 which was held in Changsha Hunan China during March 13 15 2015 ICMM 2015 focuses on 7 main areas Applied Mechanics Mechanical Engineering Instrumentation Automation and Robotics Computer Information Processing and Civil Engineering Experts in this field from eight countries including China South Korea Taiwan Japan Malaysia Hong Kong Indonesia and Saudi Arabia contributed to the collection of research results and developments ICMM 2015 provides an excellent international platform for researchers to share their knowledge and results in theory methodology and applications of Applied Mechanics and Mechatronics All papers selected to this proceedings were subject to a rigorous peer review process by at least two independent peers The papers are selected based on innovation organization and quality of presentation

Technology and Testing Fritz Drasgow, 2015-08-20 From early answer sheets filled in with number 2 pencils to tests administered by mainframe computers to assessments wholly constructed by computers it is clear that technology is changing the field of educational and psychological measurement The numerous and rapid advances have immediate impact on test creators assessment professionals and those who implement and analyze assessments This comprehensive new volume brings together leading experts on the issues posed by technological applications in testing with

chapters on game based assessment testing with simulations video assessment computerized test development large scale test delivery model choice validity and error issues Including an overview of existing literature and ground breaking research each chapter considers the technological practical and ethical considerations of this rapidly changing area Ideal for researchers and professionals in testing and assessment Technology and Testing provides a critical and in depth look at one of the most pressing topics in educational testing today The Open Access version of this book available at <http://www.taylorfrancis.com> has been made available under a Creative Commons Attribution Non Commercial No Derivatives 4.0 license

Fish Reproductive Biology Tore Jakobsen, Michael J. Fogarty, Bernard A. Megrey, Erlend Moksness, 2016-03-21
Fish recruitment is a key process for maintaining sustainable fish populations In the marine environment fish recruitment is carried out in many different ways all of which have different life history strategies The objective of this book is to argue for greater linkages between basic and applied research on fisheries recruitment and assessment and management of exploited fish stocks Following an introductory chapter this second edition of *Fish Reproductive Biology* is organized into 3 main sections Biology Population Dynamics and Recruitment Information Critical to Successful Assessment and Management Incorporation of Reproductive Biology and Recruitment Considerations into Management Advice and Strategies The authors collectively bring a wide range of diverse experience in areas of reproductive biology fisheries oceanography stock assessment and management Fully updated throughout the book will be of great interest to a wide audience It is useful as a textbook in graduate and undergraduate courses in fisheries biology fisheries science and fisheries resource management and will provide vital information for fish biologists fisheries scientists and managers

Tractor DK, 2015-05-05 The complete history of farm machinery from steam and vintage tractors to the latest combine harvesters is showcased in this lavishly illustrated volume Packed with more than 450 tractors from the pioneering engines of Fowler and Froelich to the groundbreaking AGCO Challenger DK's *Tractor* charts the story of the machines that reshaped agriculture in glorious visual detail Meet the manufacturers whose amazing machinery transformed farming including John Deere Caterpillar Massey Ferguson and SDF discover extraordinary vehicles remarkable engines and hi tech modern cabs and explore an incredible range of tractors from around the world

Temperature Calculation in Fire Safety Engineering Ulf Wickström, 2016-05-25 This book provides a consistent scientific background to engineering calculation methods applicable to analyses of materials reaction to fire as well as fire resistance of structures Several new and unique formulas and diagrams which facilitate calculations are presented It focuses on problems involving high temperature conditions and in particular defines boundary conditions in a suitable way for calculations A large portion of the book is devoted to boundary conditions and measurements of thermal exposure by radiation and convection The concepts and theories of adiabatic surface temperature and measurements of temperature with plate thermometers are thoroughly explained Also presented is a renewed method for modeling compartment fires with the resulting simple and accurate prediction tools for both pre and

post flashover fires The final chapters deal with temperature calculations in steel concrete and timber structures exposed to standard time temperature fire curves Useful temperature calculation tools are included and several examples demonstrate how the finite element code TASEF can be used to calculate temperature in various configurations Temperature Calculation in Fire Safety Engineering is intended for researchers students teachers and consultants in fire safety engineering It is also suitable for others interested in analyzing and understanding fire fire dynamics and temperature development Review questions and exercises are provided for instructor use

The Routledge Handbook of Second Language Acquisition and Language Testing Paula Winke, Tineke Brunfaut, 2020-12-27 This Handbook with 45 chapters written by the world's leading scholars in second language acquisition SLA and language testing dives into the important interface between SLA and language testing shared ground where researchers seek to measure second language performance to better understand how people learn their second languages The Handbook also reviews how to best measure and evaluate the second language L2 learners personal characteristics backgrounds and learning contexts to better understand their L2 learning trajectories Taking a transdisciplinary approach to research the book builds upon recent theorizing and measurement principles from the fields of applied linguistics cognitive science psychology psycholinguistics psychometrics educational measurement and social psychology The Handbook is divided into six key sections 1 Assessment concepts for SLA researchers 2 Building instruments for SLA research 3 Measuring individual differences 4 Measuring language development 5 Testing specific populations and 6 Measurement principles for SLA researchers

Computer Security - ESORICS 2016 Ioannis Askoxylakis, Sotiris Ioannidis, Sokratis Katsikas, Catherine Meadows, 2016-09-14 The two volume set LNCS 9878 and 9879 constitutes the refereed proceedings of the 21st European Symposium on Research in Computer Security ESORICS 2016 held in Heraklion Greece in September 2016 The 60 revised full papers presented were carefully reviewed and selected from 285 submissions The papers cover a wide range of topics in security and privacy including data protection systems security network security access control authentication and security in such emerging areas as cloud computing cyber physical systems and the Internet of Things

Transnational Identities and Practices in English Language Teaching Rashi Jain, Bedrettin Yazan, Suresh Canagarajah, 2021-07-27 The self inquiries in this edited volume exemplify the dynamism that permeates global ELT wherein English language educators and teacher educators are increasingly operating across blurred national boundaries creating new liminal spaces charting new trajectories crafting new practices and pedagogies constructing new identities and reconceptualizing ELT contexts This book captures the diverse voices of emerging and established ELT practitioners and scholars originally from and or operating in non Western contexts spanning not only the so called non Western peripheries but also peripheries created within the center when certain members are minoritized on the basis of their race language and or place of origin The chapters address a range of related issues occurring at the intersections of personal and professional identities pedagogy and classroom interactions as well as research and

professional practices in liminal transnational spaces

Unveiling the Power of Verbal Artistry: An Psychological Sojourn through **Kubota G2015 Owners Manual**

In a world inundated with screens and the cacophony of instant connection, the profound energy and emotional resonance of verbal artistry usually disappear in to obscurity, eclipsed by the constant assault of sound and distractions. Yet, located within the musical pages of **Kubota G2015 Owners Manual**, a charming work of fictional brilliance that impulses with raw thoughts, lies an memorable trip waiting to be embarked upon. Written by way of a virtuoso wordsmith, this magical opus instructions viewers on a mental odyssey, gently revealing the latent potential and profound influence stuck within the complicated web of language. Within the heart-wrenching expanse with this evocative evaluation, we shall embark upon an introspective exploration of the book is key styles, dissect their captivating writing design, and immerse ourselves in the indelible effect it leaves upon the depths of readers souls.

http://www.armchairempire.com/book/uploaded-files/default.aspx/kawasaki_kvf_650_workshop_manual.pdf

Table of Contents Kubota G2015 Owners Manual

1. Understanding the eBook Kubota G2015 Owners Manual
 - The Rise of Digital Reading Kubota G2015 Owners Manual
 - Advantages of eBooks Over Traditional Books
2. Identifying Kubota G2015 Owners Manual
 - Exploring Different Genres
 - Considering Fiction vs. Non-Fiction
 - Determining Your Reading Goals
3. Choosing the Right eBook Platform
 - Popular eBook Platforms
 - Features to Look for in an Kubota G2015 Owners Manual
 - User-Friendly Interface
4. Exploring eBook Recommendations from Kubota G2015 Owners Manual
 - Personalized Recommendations

- Kubota G2015 Owners Manual User Reviews and Ratings
- Kubota G2015 Owners Manual and Bestseller Lists
- 5. Accessing Kubota G2015 Owners Manual Free and Paid eBooks
 - Kubota G2015 Owners Manual Public Domain eBooks
 - Kubota G2015 Owners Manual eBook Subscription Services
 - Kubota G2015 Owners Manual Budget-Friendly Options
- 6. Navigating Kubota G2015 Owners Manual eBook Formats
 - ePub, PDF, MOBI, and More
 - Kubota G2015 Owners Manual Compatibility with Devices
 - Kubota G2015 Owners Manual Enhanced eBook Features
- 7. Enhancing Your Reading Experience
 - Adjustable Fonts and Text Sizes of Kubota G2015 Owners Manual
 - Highlighting and Note-Taking Kubota G2015 Owners Manual
 - Interactive Elements Kubota G2015 Owners Manual
- 8. Staying Engaged with Kubota G2015 Owners Manual
 - Joining Online Reading Communities
 - Participating in Virtual Book Clubs
 - Following Authors and Publishers Kubota G2015 Owners Manual
- 9. Balancing eBooks and Physical Books Kubota G2015 Owners Manual
 - Benefits of a Digital Library
 - Creating a Diverse Reading Collection Kubota G2015 Owners Manual
- 10. Overcoming Reading Challenges
 - Dealing with Digital Eye Strain
 - Minimizing Distractions
 - Managing Screen Time
- 11. Cultivating a Reading Routine Kubota G2015 Owners Manual
 - Setting Reading Goals Kubota G2015 Owners Manual
 - Carving Out Dedicated Reading Time
- 12. Sourcing Reliable Information of Kubota G2015 Owners Manual
 - Fact-Checking eBook Content of Kubota G2015 Owners Manual

-
- Distinguishing Credible Sources
13. Promoting Lifelong Learning
- Utilizing eBooks for Skill Development
 - Exploring Educational eBooks
14. Embracing eBook Trends
- Integration of Multimedia Elements
 - Interactive and Gamified eBooks

Kubota G2015 Owners Manual Introduction

In the digital age, access to information has become easier than ever before. The ability to download Kubota G2015 Owners Manual has revolutionized the way we consume written content. Whether you are a student looking for course material, an avid reader searching for your next favorite book, or a professional seeking research papers, the option to download Kubota G2015 Owners Manual has opened up a world of possibilities. Downloading Kubota G2015 Owners Manual provides numerous advantages over physical copies of books and documents. Firstly, it is incredibly convenient. Gone are the days of carrying around heavy textbooks or bulky folders filled with papers. With the click of a button, you can gain immediate access to valuable resources on any device. This convenience allows for efficient studying, researching, and reading on the go. Moreover, the cost-effective nature of downloading Kubota G2015 Owners Manual has democratized knowledge. Traditional books and academic journals can be expensive, making it difficult for individuals with limited financial resources to access information. By offering free PDF downloads, publishers and authors are enabling a wider audience to benefit from their work. This inclusivity promotes equal opportunities for learning and personal growth. There are numerous websites and platforms where individuals can download Kubota G2015 Owners Manual. These websites range from academic databases offering research papers and journals to online libraries with an expansive collection of books from various genres. Many authors and publishers also upload their work to specific websites, granting readers access to their content without any charge. These platforms not only provide access to existing literature but also serve as an excellent platform for undiscovered authors to share their work with the world. However, it is essential to be cautious while downloading Kubota G2015 Owners Manual. Some websites may offer pirated or illegally obtained copies of copyrighted material. Engaging in such activities not only violates copyright laws but also undermines the efforts of authors, publishers, and researchers. To ensure ethical downloading, it is advisable to utilize reputable websites that prioritize the legal distribution of content. When downloading Kubota G2015 Owners Manual, users should also consider the potential security risks associated with online platforms. Malicious actors may exploit vulnerabilities in unprotected websites to distribute malware or steal personal

information. To protect themselves, individuals should ensure their devices have reliable antivirus software installed and validate the legitimacy of the websites they are downloading from. In conclusion, the ability to download Kubota G2015 Owners Manual has transformed the way we access information. With the convenience, cost-effectiveness, and accessibility it offers, free PDF downloads have become a popular choice for students, researchers, and book lovers worldwide. However, it is crucial to engage in ethical downloading practices and prioritize personal security when utilizing online platforms. By doing so, individuals can make the most of the vast array of free PDF resources available and embark on a journey of continuous learning and intellectual growth.

FAQs About Kubota G2015 Owners Manual Books

1. Where can I buy Kubota G2015 Owners Manual books? Bookstores: Physical bookstores like Barnes & Noble, Waterstones, and independent local stores. Online Retailers: Amazon, Book Depository, and various online bookstores offer a wide range of books in physical and digital formats.
2. What are the different book formats available? Hardcover: Sturdy and durable, usually more expensive. Paperback: Cheaper, lighter, and more portable than hardcovers. E-books: Digital books available for e-readers like Kindle or software like Apple Books, Kindle, and Google Play Books.
3. How do I choose a Kubota G2015 Owners Manual book to read? Genres: Consider the genre you enjoy (fiction, non-fiction, mystery, sci-fi, etc.). Recommendations: Ask friends, join book clubs, or explore online reviews and recommendations. Author: If you like a particular author, you might enjoy more of their work.
4. How do I take care of Kubota G2015 Owners Manual books? Storage: Keep them away from direct sunlight and in a dry environment. Handling: Avoid folding pages, use bookmarks, and handle them with clean hands. Cleaning: Gently dust the covers and pages occasionally.
5. Can I borrow books without buying them? Public Libraries: Local libraries offer a wide range of books for borrowing. Book Swaps: Community book exchanges or online platforms where people exchange books.
6. How can I track my reading progress or manage my book collection? Book Tracking Apps: Goodreads, LibraryThing, and Book Catalogue are popular apps for tracking your reading progress and managing book collections. Spreadsheets: You can create your own spreadsheet to track books read, ratings, and other details.
7. What are Kubota G2015 Owners Manual audiobooks, and where can I find them? Audiobooks: Audio recordings of books, perfect for listening while commuting or multitasking. Platforms: Audible, LibriVox, and Google Play Books offer

- a wide selection of audiobooks.
8. How do I support authors or the book industry? Buy Books: Purchase books from authors or independent bookstores. Reviews: Leave reviews on platforms like Goodreads or Amazon. Promotion: Share your favorite books on social media or recommend them to friends.
 9. Are there book clubs or reading communities I can join? Local Clubs: Check for local book clubs in libraries or community centers. Online Communities: Platforms like Goodreads have virtual book clubs and discussion groups.
 10. Can I read Kubota G2015 Owners Manual books for free? Public Domain Books: Many classic books are available for free as they're in the public domain. Free E-books: Some websites offer free e-books legally, like Project Gutenberg or Open Library.

Find Kubota G2015 Owners Manual :

[kawasaki kvf 650 workshop manual](#)

kawasaki motorcycle repair manuals gpz750

kawasaki gpz 900r service manual

kawasaki lakota repair manual

~~kawasaki kx450f manual 2015~~

[kawasaki eliminator bn125 workshop service manual](#)

[kawasaki kaf400b engine manual](#)

[kawasaki eliminator zl 400 manual](#)

kawasaki kx 250 f 2004 service motorcycle repair manual

kawasaki kz1100 kz 1100 1981 1983 repair service manual

kawasaki kaf450 mule 1000 1995 service repair manual

kawasaki ninja zx 10r abs 2011 motorcycle service manual

kawasaki prarie 360 kvf360 atv full service repair manual 2002 onwards

kawasaki klx650 2006 repair service manual

~~kawasaki kdx200 1994 service manual~~

Kubota G2015 Owners Manual :

la pra c pa physique judo nouvelle a c dition pdf - Sep 04 2022

web jan 10 2023 la pra c pa physique judo nouvelle a c dition 2 11 downloaded from kelliemay com on january 10 2023 by guest provides a comprehensive overview to understanding the integrated impact of nutrition on performance the book is divided into five main themes an introductory overview of the role of nutrition in human health

la prépa physique judo nouvelle édition by aurélien broussal - Jun 13 2023

web aug 15 2023 découvrez l ouvrage de référence dans le monde du judo et des sports de combat écrit par aurélien broussal derval le spécialiste du genre avec la participation d athlètes de niveau mondial la nouvelle édition de la prépa physique judo est un ouvrage accessible au pratiquant forums usc edu eg 1 6

la pra c pa physique judo nouvelle a c dition book - Oct 05 2022

web this la pra c pa physique judo nouvelle a c dition as one of the most in action sellers here will totally be in the midst of the best options to review basketball sports medicine and science lior laver 2020 10 05 this book is designed as a comprehensive educational resource not only for basketball

la prépa physique judo nouvelle édition by aurélien broussal - Mar 30 2022

web le magazine l esprit du judo en les enrichissant de compléments exclusifs la prépa physique judo explique aux judokas de manière claire les techniques de préparation et la manière de les intégrer à leur entraînement quotidien

la prépa physique judo nouvelle édition by aurélien broussal - Jan 28 2022

web la nouvelle édition de la prépa physique judo est un ouvrage accessible au pratiquant débutant comme au ceinture noire confirmé qui fait appel de nombreuses situations rencontrées à l entraînement des réponses claires aux problématiques spécifiques à cette discipline pour le renforcement du haut et du bas du corps une meilleure

la préparation physique judo nouvelle édition aurélien - Aug 15 2023

web découvrez l ouvrage de référence dans le monde du judo et des sports de combat écrit par aurélien broussal derval le spécialiste du genre avec la participation d athlètes de niveau mondial la nouvelle édition de la prépa physique judo est un ouvrage accessible au pratiquant débutant comme au ceinture noire confirmé qui fait

la prépa physique judo nouvelle édition by aurélien broussal - Dec 27 2021

web la nouvelle édition de la prépa physique judo est un ouvrage accessible au pratiquant débutant comme au ceinture noire confirmé qui fait appel de nombreuses situations rencontrées à l entraînement des réponses claires aux problématiques spécifiques à cette

la prépa physique judo nouvelle édition by aurélien broussal - Feb 26 2022

web découvrez l ouvrage de référence dans le monde du judo et des sports de combat écrit par aurélien broussal derval le spécialiste du genre avec la participation d athlètes de niveau mondial la nouvelle édition de la prépa physique judo est un ouvrage accessible au pratiquant débutant comme au ceinture noire

la prépa physique judo nouvelle édition by aurélien broussal - May 12 2023

web découvrez l ouvrage de référence dans le monde du judo et des sports de combat écrit par aurélien broussal derval le spécialiste du genre avec la participation d athlètes de niveau mondial la nouvelle édition de la prépa physique judo est un ouvrage accessible au pratiquant débutant comme au ceinture noire confirmé qui fait appel de

judo la préparation physique toutelanutrition toute la nutrition - Aug 03 2022

web judo la préparation physique son statut de sport olympique avec l importance symbolique que ce statut revêt aux yeux des pays représentés a particulièrement sensibilisé le judo à la préparation physique de ses champions et ce de manière précoce au regard de la plupart des autres arts martiaux

la pra c pa physique judo nouvelle a c dition pdf copy - Nov 06 2022

web download any of our books later this one merely said the la pra c pa physique judo nouvelle a c dition pdf is universally compatible once any devices to read exertional heat illnesses lawrence e armstrong 2003 the only text to focus exclusively on heat related illnesses full of practical advice for professionals in a

la pra c pa physique judo nouvelle a c dition 2022 - Dec 07 2022

web la pra c pa physique judo nouvelle a c dition 2021 09 18 hobbs alexander the great perfection rdzogs chen motilal banarsidass publishe through an insightful examination of popular sermons by some of the most famous preachers of the day donna spivey ellington discusses the importance of marian devotion to the religious

la pra c pa physique judo nouvelle a c dition pdf - Apr 11 2023

web 2 la pra c pa physique judo nouvelle a c dition 2022 11 05 states army united sonic publishing collection of incunabula and early medical prints in the library of the surgeon general s office u s army ser 3 v 10 p 1415 1436 register of reporting labor organizations simon and schuster

la prépa physique et judo dojo en ligne - Jun 01 2022

web il existe plusieurs exercices de renforcement musculaire permettant d associer muscu et judo squat permet de renforcer le travail sur les jambes développé couché permet de travailler la poussée rowing trx tractions travail sur le tirage il en existe évidemment bien d autres mais je voulais vous donner

entraînement judo pour une préparation physique adaptée - Jul 02 2022

web mar 9 2011 nous vous proposons de découvrir les bases d un travail de préparation physique adapté au judo nous l avons déjà vu dans un article précédent les tests d efforts en judo l évaluation est une phase importante de la préparation elle permet d identifier les forces et faiblesses et de mesurer les progrès réalisés

la pra c pa physique judo nouvelle a c dition pdf copy - Feb 09 2023

web la pra c pa physique judo nouvelle a c dition pdf upload caliva q paterson 2 8 downloaded from api2 igetweb com on

september 6 2023 by caliva q paterson sports officials and officiating clare macmahon 2014 11 27 sports officials umpires referees judges play a vital role in every sport and sports governing bodies fans and players

la pra c pa physique judo nouvelle a c dition pdf download - Jan 08 2023

web la pra c pa physique judo nouvelle a c dition pdf download only bukuclone ortax org created date 9 2 2023 6 56 31 am

la prépa physique judo nouvelle édition by aurélien broussal - Jul 14 2023

web la nouvelle édition de la prépa physique judo est un ouvrage accessible au pratiquant débutant comme au ceinture noire confirmé qui fait appel de nombreuses situations rencontrées à l entraînement des réponses claires aux problématiques spécifiques à cette discipline pour le renforcement du haut et du bas du corps

para judo comité paralympique et sportif français - Apr 30 2022

web le para judo aux jeux paralympiques s adresse uniquement aux personnes en situation de handicaps visuels malvoyants b2 et b3 ou non voyants b1 les 3 niveaux de déficiences combattent ensemble par catégories de poids ce qui justifie cet aménagement règlementaire la discipline suit les mêmes règles que le judo valide sauf en ce qui

la pra c pa physique judo nouvelle a c dition timothy ferriss - Mar 10 2023

web merely said the la pra c pa physique judo nouvelle a c dition is universally compatible with any devices to read the olympic textbook of science in sport ronald j maughan 2009 01 26 this new volume in the encyclopaedia of sports medicine series published under the auspices of the

histoire illustrée de la peinture de l art rupestre à l art - Nov 24 2021

web encyclopedie larousse en ligne photographie et peinture histoire de la gravure occidentale les origines brve histoire de luniformologie partie 2 les xixe et les 103 meilleures

histoire illustra c e de la peinture de l art rup pdf uniport edu - Jun 12 2023

web apr 20 2023 histoire illustra c e de la peinture de l art rup 1 6 downloaded from uniport edu ng on april 20 2023 by guest histoire illustra c e de la peinture de l art

histoire illustrée de la peinture de l art rupestre à l art - Dec 06 2022

web histoire de l art interfère avec plusieurs thèmes souvent massifs introduits très tôt dans le discours critique sur le cinéma en particulier ceux des liens

l histoire par l image turquie toutes les oeuvres et images - Nov 05 2022

web l histoire par l image explore les événements de l histoire de france et les évolutions majeures de la période 1643 1945 À travers des peintures dessins gravures

histoire illustra c e de la peinture de l art rup sarah carmona - Feb 08 2023

web histoire illustra c e de la peinture de l art rup getting the books histoire illustra c e de la peinture de l art rup now is not

type of inspiring means you could not single

histoire illustra c e de la peinture de l art rup uniport edu - Apr 29 2022

web apr 3 2023 *histoire illustra c e de la peinture de l art rup 1 4* downloaded from uniport edu ng on april 3 2023 by guest

histoire illustra c e de la peinture de l art

histoire illustra c e de la peinture de l art rup download only - Jan 07 2023

web right here we have countless book *histoire illustra c e de la peinture de l art rup* and collections to check out we

additionally allow variant types and next type of the books to

histoire illustra c e de la peinture de l art rup pdf - May 11 2023

web jun 21 2023 *histoire illustra c e de la peinture de l art rup 1 5* downloaded from uniport edu ng on june 21 2023 by

guest *histoire illustra c e de la peinture de l art*

histoire illustra c e de la peinture de l art rup full pdf - May 31 2022

web *histoire illustra c e de la peinture de l art rup fisher s historic illustrations of the bible the bible cyclopaedia or*

illustrations of the civil and natural history of the sacred

histoire illustra c e de la peinture de l art rup pdf kelliemay - Aug 02 2022

web nov 6 2022 *histoire illustra c e de la peinture de l art rup 1 4* downloaded from kelliemay com on november 6 2022 by

guest *histoire illustra c e de la peinture de*

peinture de l investiture wikipédia - Oct 24 2021

web on appelle *peinture de l investiture* une grande *peinture murale à la détrempe découverte dans le palais royal de mari*

dans le sud est de l actuelle syrie l œuvre qui date du

pdf histoire illustra c e de la peinture de l art rup - Jul 13 2023

web *histoire illustra c e de la peinture de l art rup histoire de l art chez les anciens nov 17 2022 histoire de la santé et de l art*

de la conserver ou exposition de ce que

histoire illustrée de la peinture de l art rupestre à l art - Sep 03 2022

web *histoire illustrée de la peinture de l art rupestre à l art abstrait* by la *peinture abstraite a t elle encore quelque chose*

dire l art des portraits la renaissance la

histoire illustra c e de la peinture de l art rup pdf - Oct 04 2022

web jul 12 2023 *double représentation de la fleur reste un reflet de l art de l histoire et de la science de l europe du xixe*

siècle ce livre accompagne les visiteurs de

histoire illustrée de la peinture de l art rupestre à l art - Sep 22 2021

web formats full text of *histoire de la peinture en italie* see other formats searching for *histoire illustree de la peinture de lart*

rupestre a lart abstrait pdf full ebookthis

l histoire de l art en résumé art totale - Dec 26 2021

web naissance de l'imprimerie développement des arts par la découverte de la peinture à l'huile et des règles de la perspective du xvi au xviiiè siècle maniérisme la

900 idées de histoire de l art histoire de l art art peintre - Jan 27 2022

web 21 oct 2020 découvrez le tableau histoire de l art de fabienne buteux sur pinterest voir plus d idées sur le thème histoire de l art art peintre

histoire illustrée de la peinture de l art rupestre à l art - Jul 01 2022

web les 42 meilleures images de paris dans la peinture paris histoire de la tunisie pdf free download peinture hls dhs dss ch histoire de la gravure occidentale les

histoire de l art de la renaissance au xxe siècle histoire de la - Mar 29 2022

web histoire de l art et de la peinture description des courants picturaux histoire de la vie des peintres et artistes de l histoire de l art présentation des oeuvres peintures et

histoire illustra c e de la peinture de l art rup pdf - Mar 09 2023

web jun 5 2023 histoire illustra c e de la peinture de l art rup 2 6 downloaded from uniport edu ng on june 5 2023 by guest blurred pages poor pictures errant marks etc

histoire illustra c e de la peinture de l art rup wrbb neu - Aug 14 2023

web histoire illustra c e de la peinture de l art rup 1 histoire illustra c e de la peinture de l art rup is handy in our digital library an online permission to it is set as

histoire illustra c e de la peinture de l art rup uniport edu - Feb 25 2022

web apr 3 2023 précédé d un abrégé de l histoire de la peinture suivi de la nomenclature des peintres modernes et d une collection complète de monogrammes adolphe siret

histoire illustrée de la peinture de l art rupestre à l art - Apr 10 2023

web e siècle les peintres et sculpteurs rejetèrent donc l art répandu du moyen Âge pour revenir vers certains fondamentaux les modèles de la pratique antique grecque et romaine

din 3230 pdf cba pl pdf kelliemay - Apr 29 2022

web jan 18 2023 din 3230 pdf cba pl is available in our book collection an online access to it is set as public so you can download it instantly our digital library spans in multiple

din 3230 pdf cba pl pdf full pdf webmail gestudy byu edu - Nov 05 2022

web may 29 2023 right here we have countless ebook din 3230 pdf cba pl pdf and collections to check out we additionally

allow variant types and next type of the books to

din 3230 pdf cba pl mintxx - Mar 29 2022

web it will tremendously simplicity you to see handbook *din 3230 pdf cba pl* as you such as solely expressed the *din 3230 pdf cba pl* is widely harmonious with any devices to

din 3230 pdf cba pl pdf uniport edu - Jun 12 2023

web *din 3230 pdf cba pl* 2 9 downloaded from uniport edu ng on april 25 2023 by guest address them this book tells us a lot about the hard realities behind the jingoistic flag

din 3230 pdf cba pl secure4 khronos - Feb 25 2022

web occasions you correspondingly fulfill not uncover the magazine *din 3230 pdf cba pl* that you are looking for plainly put the *din 3230 pdf cba pl* is internationally harmonious

2330 sayılı kanun uygulanması İstatistikleri icisleri gov tr - Dec 06 2022

web jun 21 1995 2330 sayılı nakdi tazminat ve aylık bağlanması hakkında kanun kapsamında genel müdürlüğümüzce 1995 yılından 20 03 2014 tarihine kadar 4 107 talep

din 3230 pdf cba pl blog biletinial com - Nov 24 2021

web *din 3230 pdf cba pl* Átmeneti elzÁrÓszelep ÖntÖttvasbÓl 1 10 pl karimÁs economy finance and the euro publications european klasik c pooldoktor vag eko

din 3230 pdf cba pl dev tests psychiatry uk com - Sep 22 2021

web *din 3230 pdf cba pl* april 24th 2018 *din 3230 pdf din 3230 5* technical delivery conditions valves for gas installations and gas pipelines requirements and testing

din 3230 pdf cba pl stag butterfield - Jul 01 2022

web jun 8 2023 tutorial *din 3230 pdf cba pl* or get it as soon as possible you could promptly acquire this *din 3230 pdf cba pl* after acquiring offer if you attempt to download

din 3230 pdf cba pl pdf full pdf mail gestudy byu edu - Feb 08 2023

web *din 3230 pdf cba pl pdf* as recognized adventure as skillfully as experience just about lesson amusement as with ease as conformity can be gotten by just checking out a

30 1 b trafik cezası nedir madde 30 1 b araba cam filmi - May 31 2022

web aug 13 2020 30 1 b cezasını bu yazıda detaylı olarak göreceğiz aracınızda bulunan bazı parçaların size ceza yaptırımını olarak dönebileceği bir ceza şeklidir

din 3230 pdf cba pl pdf uniport edu - Oct 24 2021

web may 6 2023 *din 3230 pdf cba pl* is available in our book collection an online access to it is set as public so you can

download it instantly our book servers saves in multiple

b İstİmlak kanunu md 32 Şerhİ tapu kadastro forum - Apr 10 2023

web 10 yıl 4 hafta önce 698 yazan dörtgöz İstİmlak kanunu md 32 Şerhİ 6830 sayılı mülga İstimlâk kanununun 32 nci maddesinde aşağıda yanlı muamele ve fiiller

[din 3230 pdf cba pl lia erc gov](#) - Mar 09 2023

web to download and configure the din 3230 pdf cba pl it is thoroughly basic then currently speaking we extend the associate to buy and create bargains to obtain and set up din

din 3230 3 1982 04 beuth de - Jan 07 2023

web din 3230 3 1982 04 technical delivery conditions for valves compilation of test methods inform now

[din 3230 pdf cba pl media joomlashine com](#) - Aug 02 2022

web din 3230 pdf cba pl here pdfsdocuments2 com a long experience in energy equip ment and on e goal din 3230 pdf cba pl ubp profile nach din en 16828 2015 04

[din 3230 pdf cba pl](#) - Sep 03 2022

web aug 11 2023 din 3230 pdf cba pl cba cbb air breathers ufi hydraulic pdf catalogue snap fit book final 11 05

massachusetts institute of lubricant chart scribd

pdf din 3230 cba pl 2015 ieeeglobalsip org - Jul 13 2023

web mar 31 2023 din 3230 cba pl when people should go to the book stores search start by shop shelf by shelf it is in point of fact problematic this is why we present the books

din 3230 cba pl domainlookup - May 11 2023

web apr 4 2023 3230 cba pl can be taken as competently as picked to act index 1899 university of massachusetts at amherst 2021 09 10 this work has been selected by

[7330 kabul tarihi 30 6 2021 gazete tarih mevzuat](#) - Aug 14 2023

web makİne ve kİmya endÜstrİsİ anonİm İrketİ hakkında kanun kanun numarası 7330 kabul tarihi 30 6 2021 yayımlandığı resmî gazete tarih 3 7 2021 sayı 31530

din 3230 pdf cba pl pdf 2023 webdisk gestudy byu edu - Oct 04 2022

web in the manner of this din 3230 pdf cba pl pdf but end occurring in harmful downloads rather than enjoying a good book considering a cup of coffee in the afternoon otherwise

[din 3230 pdf cba pl test thelyst](#) - Dec 26 2021

web right here we have countless ebook din 3230 pdf cba pl and collections to check out we additionally have enough money variant types and furthermore type of the books to browse

din 3230 cba pl 50storiesfortomorrow ilfu com - Jan 27 2022

web din 3230 cba pl whispering the strategies of language an psychological quest through din 3230 cba pl in a digitally driven earth where screens reign great and immediate