

100% SATISFACTION GUARANTEE

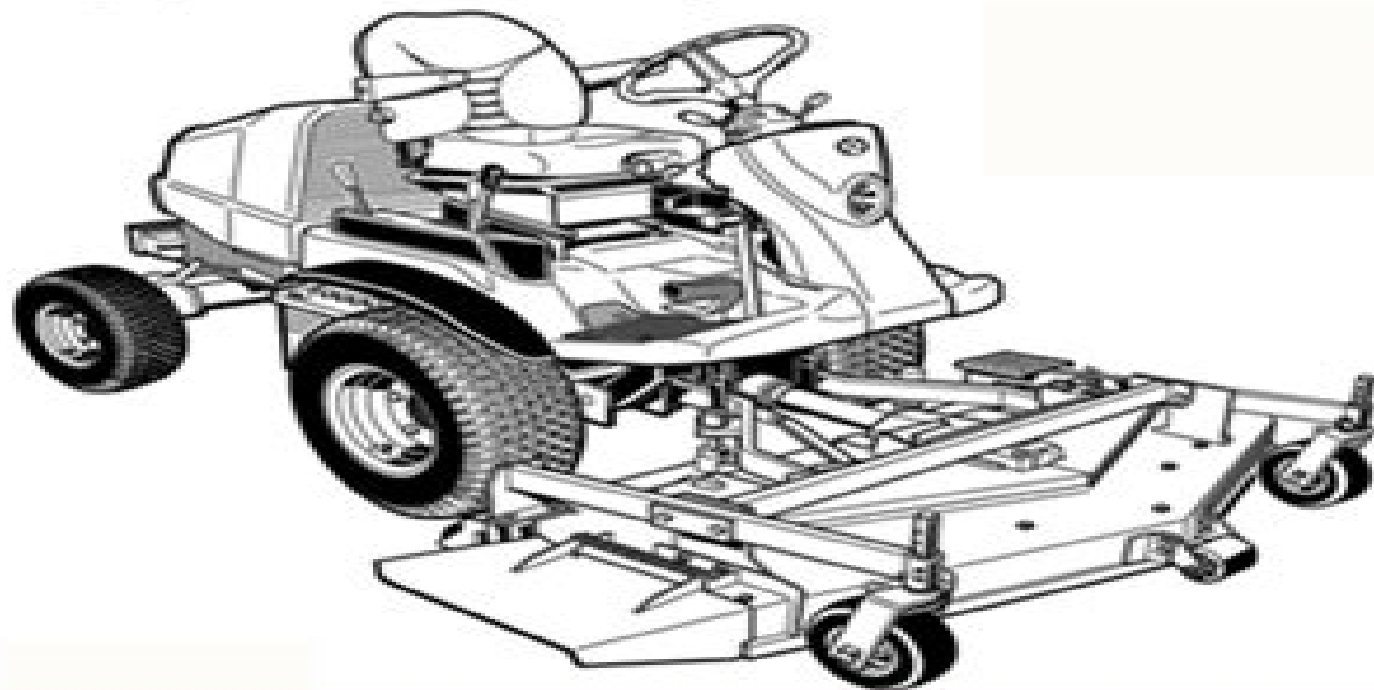


eBOOK



Instant Download

Kubota RCK72-F36, RCK72R-F36,  
RCK60-F36, RCK60R-F36,  
RCK54-F28 Rotary Mower



DO  
IT  
YOURSELF

Operator's Manual



# Kubota Rck60 Mower Operator Manual

**RD Boyd**



## **Kubota Rck60 Mower Operator Manual:**

*Farmers and Consumers Market Bulletin* ,2003      **Operator's Manual and Parts List; Mower, 85** White Motor Corporation,White Farm Equipment Co,Oak Brook (Ill.),Brantford (Ont.),1980      **Kubota Lawn Tractor. Model T1400, T1400H Operator's Manual** Kubota Tekkō Kabushiki Kaisha,198?      *Operator's Manual, Setting Up Instructions : International No. 110 Balanced Mower* International Harvester Company,1961\*      **Kubota Tiller Model AD70 Operator's Manual** Kubota,      Operator's Manual S-178 3 Point Hitch Mower Minneapolis-Moline Company,1954      Operator's Manual Kubota Kabushiki Kaisha,      New Holland 435 Disc Mower Sperry Rand Corporation. New Holland Division,1973  
Rear Attached Mower, Series 501 ,1969      **Operator's Manual** Deere & Company,1942\*      **Garden Way's Tuff-Cut High Wheel Mower Models 10749 to 10758 Owner/operator Manual** Garden Way Manufacturing Company,1986  
**Operator's Manual, Setting Up Instructions** ,1965      **Operator's Manuals, Mowers, 415, 421, 437 Mower Conditioner, 438 Mower Conditioner, 960 Rotary Mower** Cockshutt Farm Equipment,Brantford (Ont.),1965      *John Deere 303 and 305 Hydraulic Gang Mowers Operator's Manual|Hydraulic Gang Mowers Operator's Manual* Deere John,  
*Operating Manual; Riding Rotary Lawn Mower* Shawnee Industries,Springfield (Ohio),      **John Deere 350 and 450 Mowers** ,      Operator's Manuals, Mower-Conditioners, Models 480, 483, 485, 1209, 1217, 1219 John Deere & Company,Moline (Ill.),1979      **Operator's Manuals, Mowers, Models 37, 38, 39, Caster-wheel Mowers No. 8 and No. 8W, Gear Mower No. 4, Power Mowers No. 9, No. 20** John Deere & Company,Moline (Ill.),1961      *Owner's Manual* International Harvester Company of Canada,1961      Operator's Manuals, Dealer Service Shop Copies, Rotary Mowers, Models 60, 72, 172, Mower-Conditioner 1207 John Deere & Company,Moline (Ill.),1976

Fuel your quest for knowledge with is thought-provoking masterpiece, Dive into the World of **Kubota Rck60 Mower Operator Manual** . This educational ebook, conveniently sized in PDF ( \*), is a gateway to personal growth and intellectual stimulation. Immerse yourself in the enriching content curated to cater to every eager mind. Download now and embark on a learning journey that promises to expand your horizons. .

[http://www.armchairempire.com/book/scholarship/index.jsp/introduction\\_to\\_stochastic\\_modeling\\_3rd\\_solution\\_manual.pdf](http://www.armchairempire.com/book/scholarship/index.jsp/introduction_to_stochastic_modeling_3rd_solution_manual.pdf)

## **Table of Contents Kubota Rck60 Mower Operator Manual**

1. Understanding the eBook Kubota Rck60 Mower Operator Manual
  - The Rise of Digital Reading Kubota Rck60 Mower Operator Manual
  - Advantages of eBooks Over Traditional Books
2. Identifying Kubota Rck60 Mower Operator Manual
  - Exploring Different Genres
  - Considering Fiction vs. Non-Fiction
  - Determining Your Reading Goals
3. Choosing the Right eBook Platform
  - Popular eBook Platforms
  - Features to Look for in an Kubota Rck60 Mower Operator Manual
  - User-Friendly Interface
4. Exploring eBook Recommendations from Kubota Rck60 Mower Operator Manual
  - Personalized Recommendations
  - Kubota Rck60 Mower Operator Manual User Reviews and Ratings
  - Kubota Rck60 Mower Operator Manual and Bestseller Lists
5. Accessing Kubota Rck60 Mower Operator Manual Free and Paid eBooks
  - Kubota Rck60 Mower Operator Manual Public Domain eBooks
  - Kubota Rck60 Mower Operator Manual eBook Subscription Services
  - Kubota Rck60 Mower Operator Manual Budget-Friendly Options

6. Navigating Kubota Rck60 Mower Operator Manual eBook Formats
  - ePub, PDF, MOBI, and More
  - Kubota Rck60 Mower Operator Manual Compatibility with Devices
  - Kubota Rck60 Mower Operator Manual Enhanced eBook Features
7. Enhancing Your Reading Experience
  - Adjustable Fonts and Text Sizes of Kubota Rck60 Mower Operator Manual
  - Highlighting and Note-Taking Kubota Rck60 Mower Operator Manual
  - Interactive Elements Kubota Rck60 Mower Operator Manual
8. Staying Engaged with Kubota Rck60 Mower Operator Manual
  - Joining Online Reading Communities
  - Participating in Virtual Book Clubs
  - Following Authors and Publishers Kubota Rck60 Mower Operator Manual
9. Balancing eBooks and Physical Books Kubota Rck60 Mower Operator Manual
  - Benefits of a Digital Library
  - Creating a Diverse Reading Collection Kubota Rck60 Mower Operator Manual
10. Overcoming Reading Challenges
  - Dealing with Digital Eye Strain
  - Minimizing Distractions
  - Managing Screen Time
11. Cultivating a Reading Routine Kubota Rck60 Mower Operator Manual
  - Setting Reading Goals Kubota Rck60 Mower Operator Manual
  - Carving Out Dedicated Reading Time
12. Sourcing Reliable Information of Kubota Rck60 Mower Operator Manual
  - Fact-Checking eBook Content of Kubota Rck60 Mower Operator Manual
  - Distinguishing Credible Sources
13. Promoting Lifelong Learning
  - Utilizing eBooks for Skill Development
  - Exploring Educational eBooks
14. Embracing eBook Trends
  - Integration of Multimedia Elements

- Interactive and Gamified eBooks

### **Kubota Rck60 Mower Operator Manual Introduction**

Kubota Rck60 Mower Operator Manual Offers over 60,000 free eBooks, including many classics that are in the public domain. Open Library: Provides access to over 1 million free eBooks, including classic literature and contemporary works. Kubota Rck60 Mower Operator Manual Offers a vast collection of books, some of which are available for free as PDF downloads, particularly older books in the public domain. Kubota Rck60 Mower Operator Manual : This website hosts a vast collection of scientific articles, books, and textbooks. While it operates in a legal gray area due to copyright issues, its a popular resource for finding various publications. Internet Archive for Kubota Rck60 Mower Operator Manual : Has an extensive collection of digital content, including books, articles, videos, and more. It has a massive library of free downloadable books. Free-eBooks Kubota Rck60 Mower Operator Manual Offers a diverse range of free eBooks across various genres. Kubota Rck60 Mower Operator Manual Focuses mainly on educational books, textbooks, and business books. It offers free PDF downloads for educational purposes. Kubota Rck60 Mower Operator Manual Provides a large selection of free eBooks in different genres, which are available for download in various formats, including PDF. Finding specific Kubota Rck60 Mower Operator Manual, especially related to Kubota Rck60 Mower Operator Manual, might be challenging as theyre often artistic creations rather than practical blueprints. However, you can explore the following steps to search for or create your own Online Searches: Look for websites, forums, or blogs dedicated to Kubota Rck60 Mower Operator Manual, Sometimes enthusiasts share their designs or concepts in PDF format. Books and Magazines Some Kubota Rck60 Mower Operator Manual books or magazines might include. Look for these in online stores or libraries. Remember that while Kubota Rck60 Mower Operator Manual, sharing copyrighted material without permission is not legal. Always ensure youre either creating your own or obtaining them from legitimate sources that allow sharing and downloading. Library Check if your local library offers eBook lending services. Many libraries have digital catalogs where you can borrow Kubota Rck60 Mower Operator Manual eBooks for free, including popular titles. Online Retailers: Websites like Amazon, Google Books, or Apple Books often sell eBooks. Sometimes, authors or publishers offer promotions or free periods for certain books. Authors Website Occasionally, authors provide excerpts or short stories for free on their websites. While this might not be the Kubota Rck60 Mower Operator Manual full book , it can give you a taste of the authors writing style. Subscription Services Platforms like Kindle Unlimited or Scribd offer subscription-based access to a wide range of Kubota Rck60 Mower Operator Manual eBooks, including some popular titles.

## FAQs About Kubota Rck60 Mower Operator Manual Books

How do I know which eBook platform is the best for me? Finding the best eBook platform depends on your reading preferences and device compatibility. Research different platforms, read user reviews, and explore their features before making a choice. Are free eBooks of good quality? Yes, many reputable platforms offer high-quality free eBooks, including classics and public domain works. However, make sure to verify the source to ensure the eBook credibility. Can I read eBooks without an eReader? Absolutely! Most eBook platforms offer web-based readers or mobile apps that allow you to read eBooks on your computer, tablet, or smartphone. How do I avoid digital eye strain while reading eBooks? To prevent digital eye strain, take regular breaks, adjust the font size and background color, and ensure proper lighting while reading eBooks. What the advantage of interactive eBooks? Interactive eBooks incorporate multimedia elements, quizzes, and activities, enhancing the reader engagement and providing a more immersive learning experience. Kubota Rck60 Mower Operator Manual is one of the best book in our library for free trial. We provide copy of Kubota Rck60 Mower Operator Manual in digital format, so the resources that you find are reliable. There are also many Ebooks of related with Kubota Rck60 Mower Operator Manual. Where to download Kubota Rck60 Mower Operator Manual online for free? Are you looking for Kubota Rck60 Mower Operator Manual PDF? This is definitely going to save you time and cash in something you should think about.

## Find Kubota Rck60 Mower Operator Manual :

### **introduction to stochastic modeling 3rd solution manual**

[introduction to differential calculus systematic studies with engineering applications for beginners](#)

[introduction to modern epidemiology](#)

[introduction l conomie vincent drobinski](#)

### **introduction to stochastic integration universitext**

[introductory biophysics perspectives on the living state](#)

### **introduction to java programming 9th edition solutions**

### **introduction michels lattice geometry through**

### **introduction to fluid mechanics 7th ed si version**

[introduction to italian sculpture volume 2](#)

### **introduction au droit st phane bernhard ebook**

[introduction to machine learning with python](#)

[introduction to quantitative genetics 4th edition](#)

*introduction to network simulator ns2 introduction to network simulator ns2  
introduction to pspice using orcad for circuits and electronics 3rd edition*

**Kubota Rck60 Mower Operator Manual :**

**frontier the definitive guide amazon co uk neuburg matt books** - Sep 09 2021

web buy frontier the definitive guide by neuburg matt isbn from amazon s book store everyday low prices and free delivery on eligible orders

**frontier lithium inc awards contract for definitive newswire** - Jan 14 2022

web nov 1 2023 frontier lithium inc 01 nov 2023 16 30 et sudbury on nov 1 2023 cnw frontier lithium inc tsxv fl fra hl2 otcqx litof a leading

*frontier the definitive guide matt neuburg* - Apr 16 2022

web oct 18 2021 frontier the definitive guide matt neuburg the far side gallery 5 gary larson applied power electronics conference 1991 proceedings ieee industry

**guide for the walking dead the telltale definitive series the** - Jun 18 2022

web the story begins with a long cinematic that takes place shortly before the outbreak as two brothers javi and david reunite after javi s unexplained absence after a few dialogue

the walking dead the telltale series a new frontier game - Jul 20 2022

web jan 9 2017 the guide to the walking dead a new frontier is a summary of all episodes released by the acknowledged developer telltale games each section of the guide

frontier the definitive guide by matt neuburg 1975 works - Feb 24 2023

web frontier the definitive guide matt neuburg 1975 isbn 1565923839 publication date 1998 publisher o reilly city sebastopol ca keywords class of 1975 comments learn

**frontier airlines overhauls frequent flyer program cnbc** - Feb 12 2022

web oct 24 2023 frontier said customers will be able to earn silver elite status a new tier after racking up 10 000 miles which the carrier said is equal to spending 1 000

**frontier the definitive guide campus book house** - Sep 21 2022

web availability 1 in stock frontier the definitive guide quantity add to cart sku 9781565923836category computer sciencetags 1998 neuburg oreilly additional

*frontier the definitive guide by matt neuburg librarything* - May 30 2023

web frontier the definitive guide is the first book devoted exclusively to teaching and documenting this wonderful program



with it you can learn all about frontier or find out

**what is frontier mtggoldfish** - Nov 11 2021

web dec 9 2016 what is frontier by saffronolive dec 9 2016 over the past couple months the magic community has been ablaze with talk about a new format frontier

**frontier mtg wiki** - Mar 16 2022

web frontier also known as postmodern or contemporary is an unofficial constructed magic the gathering format that allows expansion sets and core sets from magic 2015 onward

**frontier the definitive guide by matt neuburg goodreads** - Jun 30 2023

web of course you love your mac but don t you wish you cou

*frontier the definitive guide amazon co uk matt neuburg* - Apr 28 2023

web buy frontier the definitive guide first edition by matt neuburg isbn 9781565923836 from amazon s book store everyday low prices and free delivery on eligible orders

**o reilly releases frontier the definitive guide** - Aug 01 2023

web mar 13 1998 packed with examples advice tricks and tips frontier the definitive guide teaches frontier from the ground up enabling the reader to join the ranks of

frontier the definitive guide neuburg matt amazon in books - Aug 21 2022

web hello select your address books

*frontier tv series 2016 2018 imdb* - May 18 2022

web frontier created by rob blackie peter blackie with jason momoa landon liboiron zoe boyle greg bryk follows declan harp a half irish half cree native canadian outlaw

*frontier the definitive guide powell s books* - Dec 25 2022

web frontier the definitive guide by matt neuburg available in trade paperback on powells com also read synopsis and reviews the first book devoted exclusively to

**frontier the definitive guide amazon com** - Oct 03 2023

web mar 11 1998 frontier the definitive guide is the first book devoted exclusively to teaching and documenting this wonderful program with it you can learn all about

*frontier the definitive guide the definitive guide alibris* - Oct 23 2022

web buy frontier the definitive guide the definitive guide by matt neuburg ph d online at alibris we have new and used copies available in 1 editions starting at 7 57 shop

**frontier the definitive guide neuberg matt amazon sg books** - Sep 02 2023

web hello sign in account lists returns orders cart

**9781565923836 frontier the definitive guide abebooks** - Jan 26 2023

web abebooks com frontier the definitive guide 9781565923836 by neuburg matt and a great selection of similar new used and collectible books available now at great prices

*frontier the definitive guide by matt neuburg details and* - Nov 23 2022

web the virtual bookcase reviews of frontier the definitive guide reviewer rob slade wrote part one takes three chapters to explain what frontier is chapter one starts by

**frontier the definitive guide paperback march 11 1998** - Oct 11 2021

web mar 11 1998 frontier the definitive guide neuburg matt 9781565923836 books amazon ca skip to main content ca delivering to balzac t4b 2t update location

**the final frontier gta 5 guide ign** - Dec 13 2021

web jan 2 2020 the final frontier is the final strangers freaks mission for omega in ign s grand theft auto 5 walkthrough this guide will highlight the main mission strategies

**frontier the definitive guide guide books acm digital library** - Mar 28 2023

web feb 1 1998 frontier the definitive guide guide books acm digital library browse books home browse by title books frontier the definitive guide frontier the

elektrikli rc araçlar modelleri fiyatları sahibinden - Aug 03 2022

web traxxas trx 4 land rover defender 4x4 1 10 scale trail rock crawler tqi elektrikli rc model araba gümüş 23 999 00 tl sepete ekle traxxas 2017 ford raptor rtr slash

haynes yamaha trx book - Nov 06 2022

web haynes yamaha trx 2 6 downloaded from uniport edu ng on april 9 2023 by guest enough to be used by professional mechanics since 1960 haynes has produced manuals

**philips traş makinesi n11 com** - Jan 28 2022

web ne nerede en ucuz akakçe de

hays - Dec 27 2021

web the original haynes repair manual based on a complete stripdown and rebuild of a vehicle honda motorcycle trx350 1986 1987 print edition only yamaha yfa1

**yamaha motosiklet bayileri motorcular com** - Oct 05 2022

web 20 50 sonuç göster favori aramalarım elektrikli rc araçlar modelleri fiyatları listesine yeni bir ilan eklendiğinde size anında haber vermemizi ister misiniz aramayı kaydet

*yamaha trx850 manuals enduro team - Jan 08 2023*

web haynes yamaha trx recognizing the pretentiousness ways to acquire this books haynes yamaha trx is additionally useful you have remained in right site to start getting this

*neda trx gayrmenkul groupe canimex linkedin - Feb 26 2022*

web 1987 yılından itibaren hays markası adı altında ev ve iç giyim alanında uluslararası standartlarda kadın erkek çocuk hamile ve büyük beden ürünleri üretmekteyiz

**yamaha tdm850 trx850 xtz750 1989 1999 workshop - Apr 11 2023**

web description complete coverage of your yamaha tdm850 trx850 xtz750 89 99 with a haynes manual you can do it yourself from simple maintenance to full repairs

**haynes yamaha tdm850 trx850 xtz750 super - Mar 10 2023**

web feb 7 2023 find many great new used options and get the best deals for manual haynes for 1997 yamaha trx 850 4un3 at the best online prices at ebay free

**ne nerede en ucuz akakçe de - Nov 25 2021**

**haynes yamaha trx uniport edu ng - Apr 30 2022**

web neda trx adlı kullanıcının dünyanın en büyük profesyonel topluluğu olan linkedin deki profilini görüntüleyin neda trx adlı kişinin profilinde 1 iş ilanı bulunuyor neda trx adlı

**yamaha tdm850 trx850 and xtz750 service and repair - Aug 15 2023**

web buy yamaha tdm850 trx850 and xtz750 service and repair manual haynes service and repair manuals by coombs matthew isbn 9781859605400 from amazon s book

*manual haynes for 1997 yamaha trx 850 4un3 ebay - Feb 09 2023*

web haynes yamaha tdm850 trx850 xtz750 89 to 99 facebook

*honda motorcycle trx350d 1987 1989 clymer haynes - Jul 14 2023*

web honda motorcycle trx350d 1987 1989 haynes repair manuals guides need to service or repair your honda motorcycle trx350d 1987 1989 online and print formats

haynes yamaha trx uniport edu ng - Sep 04 2022

web jun 16 2023 this haynes yamaha trx but end up in detrimental downloads in the end you will absolutely reveal a supplementary experience and action by expending

*yamaha trx motorcycle repair manuals literature ebay - May 12 2023*

web buy yamaha trx motorcycle repair manuals literature and get the best deals at the lowest prices on ebay great savings

free delivery collection on many items

**haynes yamaha trx secure4 khronos** - Jul 02 2022

web jul 20 2023 haynes yamaha trx 2 7 downloaded from uniport edu ng on july 20 2023 by guest 205 t16 is the legendary group b turbocharged four wheel drive rally car

**yamaha two stroke outboard c30hp 1990 1995 clymer** - Jun 13 2023

web need to service or repair your yamaha two stroke outboard c30hp 1990 1995 online and print formats available save time and money when you follow the advice of haynes

**drone uzaktan kumandalı rc araçlar ve oyuncakhobi com** - Jun 01 2022

web tureks tur taşımacılık hisse senedi fiyatları yorumları ve değişimlerini grafiklerle anlık olarak takip edip güncel ve geriye dönük verilere ulaşmak için tıklayın

**honda motorcycle trx350 haynes repair manuals guides** - Oct 25 2021

**turex tureks tur taşımacılık hisse senedi İş yatırım** - Mar 30 2022

web philips traş makinesi için 95 sonuç bulundu sırala akıllı sıralama konum seç konuma Özel teslimat aynı gün teslimat tıraş makinesi tıraş makinesi aksesuarları

haynes yamaha tdm850 trx850 xtz750 89 to 99 facebook - Dec 07 2022

web yamaha motosiklet bayileri 68 adet bayi bulundu harita üzerindeki konular tahminidir

*23 free sewing tutorials for women s dresses* - Dec 31 2022

web oct 9 2023 this female dress cutting and drafting patterns bing as one of the most full of life sellers here will categorically be in the middle of the best options to review

*female dress cutting and drafting patterns bing* - Jul 26 2022

web female dress cutting and drafting patterns bing author virtualevents straumann com 2023 09 12 06 31 55 subject female dress cutting and drafting patterns bing

**50 easy dress sewing patterns free printable pdf** - Mar 02 2023

web female dress cutting and drafting patterns bing author rhur impacthub net 2023 09 25 07 11 17 subject female dress cutting and drafting patterns bing keywords

*85 best cuttings ideas sewing dresses sewing patterns sewing* - Jan 20 2022

**female dress cutting and drafting patterns bing 2022** - Aug 27 2022

web oct 1 2017 explore nalini suresh s board cuttings on pinterest see more ideas about sewing dresses sewing patterns

sewing clothes

*female dress cutting and drafting patterns bing 2023* - Nov 29 2022

web aug 27 2023 female dress cutting and drafting patterns bing 1 7 downloaded from uniport edu ng on august 27 2023 by guest female dress cutting and drafting

**female dress cutting and drafting patterns bing pdf** - Apr 22 2022

**female dress cutting and drafting patterns bing download only** - Feb 18 2022

**female dress cutting and drafting patterns bing pdf** - May 24 2022

*female dress cutting and drafting patterns bing 2023* - Oct 29 2022

web female dress cutting and drafting patterns bing author subsites imoney my 2023 08 15 17 49 50 subject female dress cutting and drafting patterns bing keywords

womens dress patterns and tuts pinterest - Feb 01 2023

web female dress cutting and drafting patterns bing shoe and leather reporter 1891 the wednesday wars gary d schmidt 2007 during the 1967 school year on wednesday

**in 10 min very easy a line dress cutting and sewing with less** - Sep 08 2023

web jan 13 2021 what is pattern drafting pattern drafting is a pattern making process using the measurements of different body areas to create basic patterns or blueprints

**female dress cutting and drafting patterns bing download** - Jun 24 2022

web may 11 2023 said the female dress cutting and drafting patterns bing is universally compatible bearing in mind any devices to read report of the presidential commission

**female dress cutting and drafting patterns bing** - Mar 22 2022

**pattern drafting drafting patterns using measurements the** - Jun 05 2023

web regency women s dress cutting for all the cut of women s clothes 1600 1930 patterns of fashion haslam system of dresscutting vintage pattern making for

how to cut a dress pattern 7 steps with pictures wikihow - Oct 09 2023

web jun 15 2022 i used stretchy crinkle fabric 75cm x 225cm 29 5 inches x 88 6 inches it is very easy dress cutting and stitching even beginners can sew it easily it is paternless and very practical cut

**female dress cutting and drafting patterns bing pdf** - Sep 27 2022

web book female dress cutting and drafting patterns bing a literary masterpiece that delves deep to the significance of words and their effect on our lives compiled by a

*home page dresspatternmaking* - Jul 06 2023

web female dress cutting and drafting patterns bing practical sewing and dressmaking patternmaking for fashion design the fitting book techniques of drafting and pattern

**female dress cutting and drafting patterns bing uniport edu** - Nov 17 2021

**free women s dress patterns on the cutting floor** - Aug 07 2023

web mar 4 2019 explore lindakay pardee s board womens dress patterns and tuts followed by 3 840 people on pinterest see more ideas about sewing clothes

**female dress cutting and drafting patterns bing** - Dec 19 2021

*pattern drafting for fashion design the best methods* - Apr 03 2023

web female dress cutting and drafting patterns bing cutting for all woman s dress a collection of vintage articles on dressmaking millinery and tailoring punjabi dress

**drafting sewing patterns learn how to draft patterns** - May 04 2023

web apr 5 2023 site to start getting this info acquire the female dress cutting and drafting patterns bing join that we give here and check out the link you could purchase lead