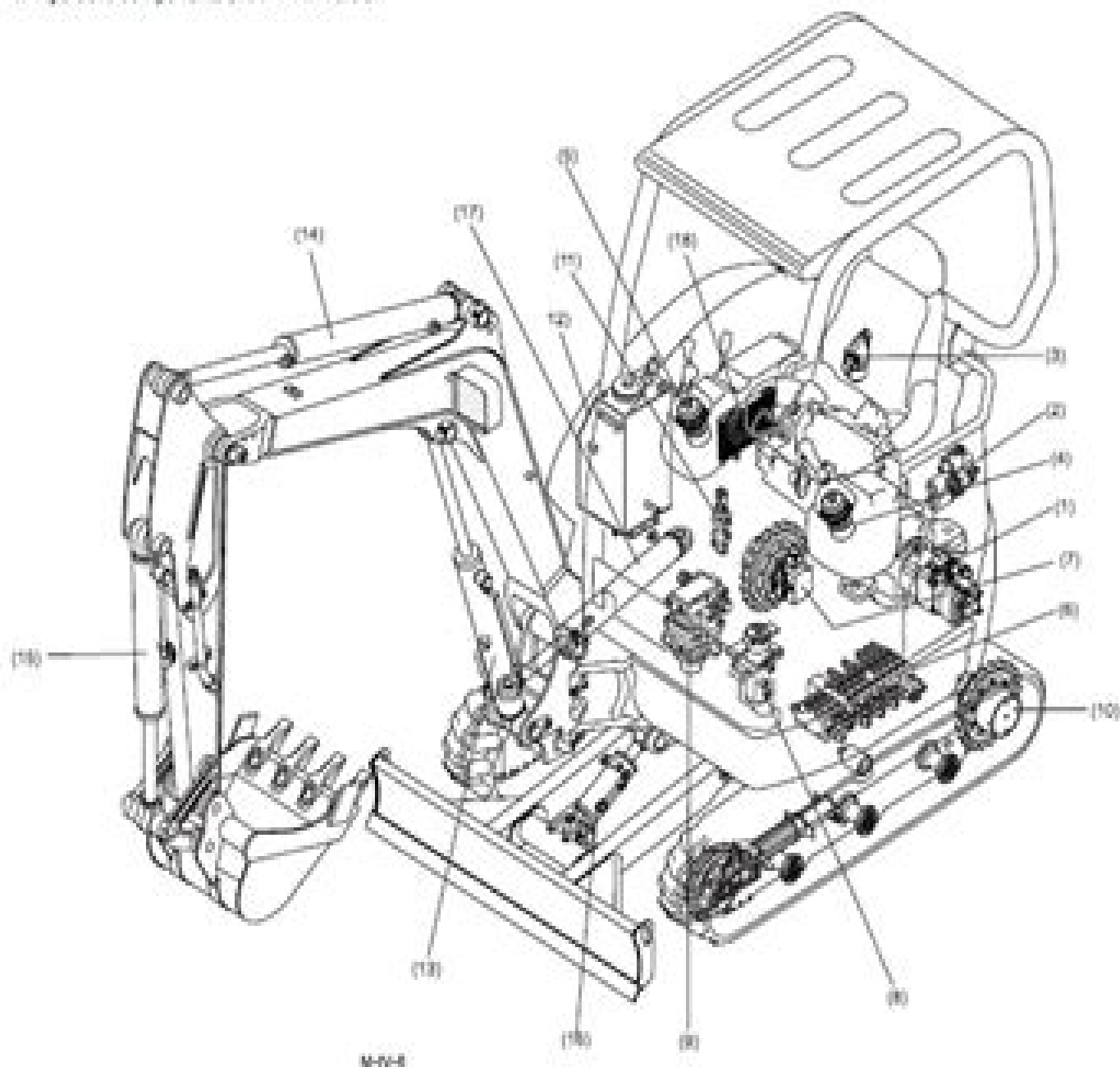


4. Hydraulic components ; KX71-PP-version



- (1) Pump assy
- (2) Change valve (PP-version)
- (3) Pilot filter
- (4) Pilot valve, L
- (5) Pilot valve, R
- (6) Control valve assy
- (7) Travel motor, R
- (8) Rotary joint
- (9) Swivel motor
- (10) Travel motor, L
- (11) TPSS valve (PP-version)
- (12) Oil tank
- (13) Boom cylinder
- (14) Arm cylinder
- (15) Bucket cylinder
- (16) Dozer cylinder
- (17) Swing cylinder
- (18) Oil cooler

Kubota Kx41 2 Mini Excavator Illustrated Parts Book Manual

Caterpillar Inc. Peoria, Ill..

Kubota Kx41 2 Mini Excavator Illustrated Parts Book Manual:

Ignite the flame of optimism with Get Inspired by is motivational masterpiece, **Kubota Kx41 2 Mini Excavator Illustrated Parts Book Manual** . In a downloadable PDF format (*), this ebook is a beacon of encouragement. Download now and let the words propel you towards a brighter, more motivated tomorrow.

http://www.armchairempire.com/results/Resources/index.jsp/hong_kong_transport_planning_and_design_manual.pdf

Table of Contents Kubota Kx41 2 Mini Excavator Illustrated Parts Book Manual

1. Understanding the eBook Kubota Kx41 2 Mini Excavator Illustrated Parts Book Manual
 - The Rise of Digital Reading Kubota Kx41 2 Mini Excavator Illustrated Parts Book Manual
 - Advantages of eBooks Over Traditional Books
2. Identifying Kubota Kx41 2 Mini Excavator Illustrated Parts Book Manual
 - Exploring Different Genres
 - Considering Fiction vs. Non-Fiction
 - Determining Your Reading Goals
3. Choosing the Right eBook Platform
 - Popular eBook Platforms
 - Features to Look for in an Kubota Kx41 2 Mini Excavator Illustrated Parts Book Manual
 - User-Friendly Interface
4. Exploring eBook Recommendations from Kubota Kx41 2 Mini Excavator Illustrated Parts Book Manual
 - Personalized Recommendations
 - Kubota Kx41 2 Mini Excavator Illustrated Parts Book Manual User Reviews and Ratings
 - Kubota Kx41 2 Mini Excavator Illustrated Parts Book Manual and Bestseller Lists
5. Accessing Kubota Kx41 2 Mini Excavator Illustrated Parts Book Manual Free and Paid eBooks
 - Kubota Kx41 2 Mini Excavator Illustrated Parts Book Manual Public Domain eBooks
 - Kubota Kx41 2 Mini Excavator Illustrated Parts Book Manual eBook Subscription Services
 - Kubota Kx41 2 Mini Excavator Illustrated Parts Book Manual Budget-Friendly Options
6. Navigating Kubota Kx41 2 Mini Excavator Illustrated Parts Book Manual eBook Formats

- ePub, PDF, MOBI, and More
 - Kubota Kx41 2 Mini Excavator Illustrated Parts Book Manual Compatibility with Devices
 - Kubota Kx41 2 Mini Excavator Illustrated Parts Book Manual Enhanced eBook Features
7. Enhancing Your Reading Experience
 - Adjustable Fonts and Text Sizes of Kubota Kx41 2 Mini Excavator Illustrated Parts Book Manual
 - Highlighting and Note-Taking Kubota Kx41 2 Mini Excavator Illustrated Parts Book Manual
 - Interactive Elements Kubota Kx41 2 Mini Excavator Illustrated Parts Book Manual
 8. Staying Engaged with Kubota Kx41 2 Mini Excavator Illustrated Parts Book Manual
 - Joining Online Reading Communities
 - Participating in Virtual Book Clubs
 - Following Authors and Publishers Kubota Kx41 2 Mini Excavator Illustrated Parts Book Manual
 9. Balancing eBooks and Physical Books Kubota Kx41 2 Mini Excavator Illustrated Parts Book Manual
 - Benefits of a Digital Library
 - Creating a Diverse Reading Collection Kubota Kx41 2 Mini Excavator Illustrated Parts Book Manual
 10. Overcoming Reading Challenges
 - Dealing with Digital Eye Strain
 - Minimizing Distractions
 - Managing Screen Time
 11. Cultivating a Reading Routine Kubota Kx41 2 Mini Excavator Illustrated Parts Book Manual
 - Setting Reading Goals Kubota Kx41 2 Mini Excavator Illustrated Parts Book Manual
 - Carving Out Dedicated Reading Time
 12. Sourcing Reliable Information of Kubota Kx41 2 Mini Excavator Illustrated Parts Book Manual
 - Fact-Checking eBook Content of Kubota Kx41 2 Mini Excavator Illustrated Parts Book Manual
 - Distinguishing Credible Sources
 13. Promoting Lifelong Learning
 - Utilizing eBooks for Skill Development
 - Exploring Educational eBooks
 14. Embracing eBook Trends
 - Integration of Multimedia Elements
 - Interactive and Gamified eBooks

Kubota Kx41 2 Mini Excavator Illustrated Parts Book Manual Introduction

In this digital age, the convenience of accessing information at our fingertips has become a necessity. Whether its research papers, eBooks, or user manuals, PDF files have become the preferred format for sharing and reading documents. However, the cost associated with purchasing PDF files can sometimes be a barrier for many individuals and organizations. Thankfully, there are numerous websites and platforms that allow users to download free PDF files legally. In this article, we will explore some of the best platforms to download free PDFs. One of the most popular platforms to download free PDF files is Project Gutenberg. This online library offers over 60,000 free eBooks that are in the public domain. From classic literature to historical documents, Project Gutenberg provides a wide range of PDF files that can be downloaded and enjoyed on various devices. The website is user-friendly and allows users to search for specific titles or browse through different categories. Another reliable platform for downloading Kubota Kx41 2 Mini Excavator Illustrated Parts Book Manual free PDF files is Open Library. With its vast collection of over 1 million eBooks, Open Library has something for every reader. The website offers a seamless experience by providing options to borrow or download PDF files. Users simply need to create a free account to access this treasure trove of knowledge. Open Library also allows users to contribute by uploading and sharing their own PDF files, making it a collaborative platform for book enthusiasts. For those interested in academic resources, there are websites dedicated to providing free PDFs of research papers and scientific articles. One such website is Academia.edu, which allows researchers and scholars to share their work with a global audience. Users can download PDF files of research papers, theses, and dissertations covering a wide range of subjects. Academia.edu also provides a platform for discussions and networking within the academic community. When it comes to downloading Kubota Kx41 2 Mini Excavator Illustrated Parts Book Manual free PDF files of magazines, brochures, and catalogs, Issuu is a popular choice. This digital publishing platform hosts a vast collection of publications from around the world. Users can search for specific titles or explore various categories and genres. Issuu offers a seamless reading experience with its user-friendly interface and allows users to download PDF files for offline reading. Apart from dedicated platforms, search engines also play a crucial role in finding free PDF files. Google, for instance, has an advanced search feature that allows users to filter results by file type. By specifying the file type as "PDF," users can find websites that offer free PDF downloads on a specific topic. While downloading Kubota Kx41 2 Mini Excavator Illustrated Parts Book Manual free PDF files is convenient, its important to note that copyright laws must be respected. Always ensure that the PDF files you download are legally available for free. Many authors and publishers voluntarily provide free PDF versions of their work, but its essential to be cautious and verify the authenticity of the source before downloading Kubota Kx41 2 Mini Excavator Illustrated Parts Book Manual. In conclusion, the internet offers numerous platforms and websites that allow users to download free PDF files legally. Whether its classic literature, research papers, or magazines, there is something for everyone. The platforms mentioned in this article, such as

Project Gutenberg, Open Library, Academia.edu, and Issuu, provide access to a vast collection of PDF files. However, users should always be cautious and verify the legality of the source before downloading Kubota Kx41 2 Mini Excavator Illustrated Parts Book Manual any PDF files. With these platforms, the world of PDF downloads is just a click away.

FAQs About Kubota Kx41 2 Mini Excavator Illustrated Parts Book Manual Books

What is a Kubota Kx41 2 Mini Excavator Illustrated Parts Book Manual PDF? A PDF (Portable Document Format) is a file format developed by Adobe that preserves the layout and formatting of a document, regardless of the software, hardware, or operating system used to view or print it. **How do I create a Kubota Kx41 2 Mini Excavator Illustrated Parts Book Manual PDF?** There are several ways to create a PDF: Use software like Adobe Acrobat, Microsoft Word, or Google Docs, which often have built-in PDF creation tools. Print to PDF: Many applications and operating systems have a "Print to PDF" option that allows you to save a document as a PDF file instead of printing it on paper. Online converters: There are various online tools that can convert different file types to PDF. **How do I edit a Kubota Kx41 2 Mini Excavator Illustrated Parts Book Manual PDF?** Editing a PDF can be done with software like Adobe Acrobat, which allows direct editing of text, images, and other elements within the PDF. Some free tools, like PDFescape or Smallpdf, also offer basic editing capabilities. **How do I convert a Kubota Kx41 2 Mini Excavator Illustrated Parts Book Manual PDF to another file format?** There are multiple ways to convert a PDF to another format: Use online converters like Smallpdf, Zamzar, or Adobe Acrobat's export feature to convert PDFs to formats like Word, Excel, JPEG, etc. Software like Adobe Acrobat, Microsoft Word, or other PDF editors may have options to export or save PDFs in different formats. **How do I password-protect a Kubota Kx41 2 Mini Excavator Illustrated Parts Book Manual PDF?** Most PDF editing software allows you to add password protection. In Adobe Acrobat, for instance, you can go to "File" -> "Properties" -> "Security" to set a password to restrict access or editing capabilities. Are there any free alternatives to Adobe Acrobat for working with PDFs? Yes, there are many free alternatives for working with PDFs, such as: LibreOffice: Offers PDF editing features. PDFsam: Allows splitting, merging, and editing PDFs. Foxit Reader: Provides basic PDF viewing and editing capabilities. **How do I compress a PDF file?** You can use online tools like Smallpdf, ILovePDF, or desktop software like Adobe Acrobat to compress PDF files without significant quality loss. Compression reduces the file size, making it easier to share and download. **Can I fill out forms in a PDF file?** Yes, most PDF viewers/editors like Adobe Acrobat, Preview (on Mac), or various online tools allow you to fill out forms in PDF files by selecting text fields and entering information. Are there any restrictions when working with PDFs? Some PDFs might have restrictions set by their creator, such as password protection, editing restrictions, or print restrictions. Breaking these restrictions might require specific software or tools, which may or may not

be legal depending on the circumstances and local laws.

Find Kubota Kx41 2 Mini Excavator Illustrated Parts Book Manual :

hong kong transport planning and design manual

horngrens financial & managerial accounting 4th edition

horeca is mensenwerk 1 organisatie en personeelsmanagement

honda xl75 repair manual

horrific traumata a pastoral response to the post traumatic stress disorder

hornbook on products liability second edition

honda vtr250 interceptor full service repair manual 1988 1989

hoofdstukken uit de algemeene aardrijkskunde

hope a story of triumph

honeywell r8184g manual guide

~~hostile waters veteranen kriege psychische ebook~~

hope after betrayal healing when sexual addiction invades your marriage

horngrens accounting the managerial chapters

hot air meeting canadas climate change challenge

honda vtr1000f super hawk service repair manual 1998 2003

Kubota Kx41 2 Mini Excavator Illustrated Parts Book Manual :

lean six sigma and minitab the complete toolbox guide for - Jul 07 2022

web the complete toolbox guide for business improvement 80 00 392 in stock sixth edition updated for minitab 19 this lean six sigma and minitab guide explains lean six sigma in a down to earth and practical format and provides detailed minitab instructions and screenshots throughout

lean six sigma and minitab 7th edition the complete toolbox - May 17 2023

web lean six sigma and minitab 7th edition the complete toolbox guide for business improvement ring bound 1 oct 2022 this lean six sigma and minitab book explains lean six sigma in a down to earth and practical format and provides detailed minitab instructions and screenshots throughout

lean six sigma and minitab 6th edition the complete toolbox - Nov 11 2022

web jan 1 2020 sixth compatible with minitab 19 and 20 spiral bound with paperback cover this lean six sigma and minitab guide explains lean six sigma in a down to earth and practical format and provides detailed

lean six sigma and minitab 7th edition the complete toolbox - Feb 14 2023

web oct 1 2022 this lean six sigma and minitab guide explains lean six sigma in a down to earth and practical format and provides detailed minitab instructions and screenshots throughout now in its 7th edition with over 180 000 copies sold this lean six sigma book is firmly established as the practical guide for business improvement professionals

lean six sigma minitab the complete toolbox guide for - Jan 13 2023

web lean six sigma minitab the complete toolbox guide for business by brook quentin publication date 2014 topics minitab six sigma quality control standard statistics software statistics publisher winchester hampshire opex resources ltd

lean six sigma and minitab the complete toolbox gu full pdf - May 05 2022

web statistics for six sigma green belts with minitab and jmp lean six sigma using sigmaxl and minitab practitioner s guide to statistics and lean six sigma for process improvements

lean six sigma minitab the complete toolbox guide for all lean six - Sep 09 2022

web lean six sigma minitab the complete toolbox guide for all lean six sigma practitioners by brook quentin publication date 2010 topics minitab six sigma quality control standard statistics software publisher s l opex resources ltd collection inlibrary printdisabled internetarchivebooks contributor internet archive language english

lean six sigma and minitab the complete toolbox gu jane e - Apr 04 2022

web this lean six sigma and minitab the complete toolbox gu as one of the most functioning sellers here will completely be among the best options to review the toyota way to lean leadership achieving and sustaining excellence through leadership development jeffrey k liker 2011 11 21 the missing link to toyota style

lean six sigma and minitab 6th edition the complete toolbox - Aug 20 2023

web lean six sigma and minitab 6th edition the complete toolbox guide for business improvement quentin brook amazon com tr kitap

lean six sigma and minitab 4th edition the complete toolbox - Oct 10 2022

web may 1 2014 lean six sigma and minitab 4th edition the complete toolbox guide for business improvement quentin brook holly brook piper editor marianne hughes illustrator 4 48 40 ratings3 reviews want to read buy on amazon rate this book

lean six sigma and minitab 7th edition the complete toolbox - Apr 16 2023

web lean six sigma and minitab 7th edition the complete toolbox guide

lean six sigma and minitab the complete toolbox guide for - Feb 02 2022

web the complete toolbox guide for business improvement 80 00 362 in stock sixth edition updated for minitab 19 this lean

six sigma and minitab guide explains lean six sigma in a down to earth and practical format and provides detailed minitab instructions and screenshots throughout

[lean six sigma minitab the complete toolbox guide for all lean six](#) - Jan 01 2022

web lean six sigma minitab the complete toolbox guide for all lean six sigma practitioners quentin brook opex resources limited 2010 minitab 293 pages

lean six sigma and minitab 5th edition the complete toolbox - Jun 18 2023

web sep 1 2017 fifth edition updated for minitab 18 more tools improved graphics this lean six sigma and minitab guide explains lean six sigma in a down to earth and practical format and provides detailed minitab instructions and screenshots throughout

lean six sigma and minitab the complete toolbox guide for - Mar 03 2022

web lean six sigma and minitab the complete toolbox guide for business improvement author quentin brook edition 6 illustrated publisher opex resources limited 2020 isbn 0995789940 9780995789944 length 309 pages

lean six sigma and minitab the complete toolbox guide for - Mar 15 2023

web lean six sigma and minitab the complete toolbox guide for business improvement quentin brook opex resources limited 2020 six sigma quality control standard 314 pages

lean six sigma and minitab 6th edition the complete toolbox guide - Jul 19 2023

web jan 1 2020 lean six sigma and minitab 6th edition the complete toolbox guide for business improvement quentin brook on amazon com free shipping on qualifying offers lean six sigma and minitab 6th edition the complete toolbox guide for business improvement

lean six sigma and minitab by quentin brook open library - Aug 08 2022

web sep 1 2017 overview view 3 editions details reviews lists related books last edited by importbot june 26 2021 history edit an edition of lean six sigma and minitab 2010 lean six sigma and minitab the complete toolbox guide for business improvement by quentin brook 0 ratings 7 want to read 0 currently reading 0 have read

lean six sigma and minitab the complete toolbox guide for all lean six - Dec 12 2022

web jul 1 2010 lean six sigma and minitab 7th edition the complete toolbox guide for business improvement 52 49 403 in stock the lean six sigma and minitab pocket guide explains lean six sigma in a down to earth and practical format and provides detailed minitab instructions and screenshots throughout

lean six sigma and minitab the complete toolbox guide for - Jun 06 2022

web the entire six sigma and lean process improvement strategy is laid out from start to finish through the dmaic phases showing the array of tools and techniques used along the way a big bonus is the extensive presentation of examples showing

how to analyze and interpret process improvement data using minitab

fire fighter 1 practice exam example fire fighting test - Aug 15 2023

web this is a sample of a fire fighter 1 exam generated from our practice testing application the grading and answer functionality are not active on this sample it is only to

firefighter practice test tests com - Jan 28 2022

web wisconsin firefighter 1 state written exam pdf below firefighter 1 final test flashcards quizlet web study guide for firefighter 1 final exam terms in this set 81 which type of heat

firefighter written exam resources firerescue1 - Nov 06 2022

web by the end candidates should be able to take their firefighter 1 certificate exam and have extensive knowledge about the profession many will take this forward onto their careers

wisconsin firefighter 1 state written exam pdf download only - Nov 25 2021

web wisconsin firefighter 1 state written exam 2 6 map index pdf operator pump aerial tiller and mobile water supply second edition meets and exceeds the job performance

fire service certification wtcs - Jun 01 2022

web mar 17 2022 you will be able to pass the firefighter 1 state written exam if you review hazmat history of the fire service basic principles of fire basics of wildland

wisconsin firefighter 1 state written exam - Oct 25 2021

firefighter exams and practice tests online study guide for - Aug 03 2022

web fire service certification programs those who aspire to become wisconsin fire service certified must satisfy the program requirements which are based on the appropriate

firefighter 1 state exam northeast wisconsin technical college - Apr 11 2023

web course description 47 503 431 firefighter 1 state practical exam a practical skills evaluation for certification to the ff1 level all students will receive a safety briefing

how to pass the firefighter 1 written exam firehouse heavyweights - Mar 30 2022

web 2023 edition firefighter practice test take this free practice test to see how prepared you are for a firefighter certification exam view answers as you go view 1 question at a

fire fighter 1 state exam flashcards quizlet - Jul 14 2023

web nfpa 1001 training and performance qualifications for firefighters fire apparatus operator responsible for getting apparatus to scene safely as well as setting up and running the

fire fighter 1 exam flashcards quizlet - Jun 13 2023

web fire fighter 1 exam 4 5 2 reviews nfpa click the card to flip national fire protection association click the card to flip 1 397 flashcards learn test match q chat created

wisconsin certified firefighter 1 milwaukee area - Feb 09 2023

web the firefighter 1 state certification written and practical exams will be at matc south campus you will be required to show a picture id at both the written and practical state

firefighter i ii exam prep pocket prep - Jan 08 2023

web the firefighter 1 state certification practical exam will be held on friday morning may 23 2013 at matc south campus there is an 80 00 exam fee which must be paid at the

firefighter 1 final test flashcards quizlet - Mar 10 2023

web created by joejoe1983 teacher study guide for firefighter 1 final exam terms in this set 81 which type of heat transfer is a major contributor to flashover a nuclear b

how to get a firefighter 1 certification in 4 steps indeed - Dec 27 2021

web wisconsin firefighter 1 state written exam firefighter exams and practice tests online study guide june 20th 2018 fire fighter exam preparation and study guide for

wisconsin fire service education office policy and procedures - Feb 26 2022

web jan 26 2023 establish water supplies oversee salvage operations difference between firefighter 1 and firefighter 2 certifications firefighter 1 and firefighter 2 certifications

firefighter 1 final test 2022 scored 100 study guide for - Apr 30 2022

web this document identifies the prerequisites training examination and certificate issue expiration criteria for upcoming and existing firefighters in the state of wisconsin

fire fighter 1 state exam 2023 stuvia - Oct 05 2022

web firefighter exam preparation and study guide for firefighter 1 2 and civil service tests online practice fire fighting test questions for firefighters testing in all states register

milwaukee area technical college - May 12 2023

web milwaukee area technical college

wisconsin certified firefighter 1 milwaukee area technical college - Dec 07 2022

web mar 23 2023 exam elaborations firefighter 1 final test lpar updated 2023 rpar actual study guide for firefighter 1 final ex period period 2 exam

how to become a firefighter in wisconsin firefighter now - Sep 04 2022

web wisconsin firefighter certification levels certification process testing process and preparation guides the firefighter certification guide has firefighter i and

wisconsin firefighter 1 state written exam copy yvc moeys gov - Sep 23 2021

wisconsin firefighter requirements and training summary - Jul 02 2022

web may 4 2022 1 exam elaborations firefighter 1 final test 2022 lpar scored 100 percent rpar sol study guide for firefighter 1 final exam

next year in havana english edition kindle ausgabe - Jun 06 2022

next year in havana english edition ebook cleeton chanel amazon de kindle shop

editions of next year in havana by chanel cleeton goodreads - Sep 21 2023

feb 6 2018 editions for next year in havana 0399586687 paperback published in 2018 kindle edition published in 2018 paperback published in 2018 audible a

next year in havana the perez family 1 goodreads - Aug 20 2023

feb 6 2018 nominee for best historical fiction 2018 after the death of her beloved grandmother a cuban american woman travels to havana where she discovers the roots of her identity and unearths a family secret hidden since the revolution havana 1958

next year in havana book club questions discussion guide - Feb 02 2022

may 5 2022 next year in havana synopsis after the death of her beloved grandmother a cuban american woman travels to havana where she discovers the roots of her identity and unearths a family secret hidden since the revolution havana 1958 the daughter of a sugar baron nineteen year old elisa perez is part of cuba s high society where she is

browse editions for next year in havana the storygraph - Apr 16 2023

feb 6 2018 browse editions add edition current edition next year in havana the cuba saga 1 chanel cleeton language english publisher berkley books publication date 06 february 2018 fiction historical romance emotional medium paced next year in havana

next year in havana chanel cleeton google books - Mar 15 2023

feb 6 2018 chanel cleeton penguin feb 6 2018 fiction 400 pages 45 reviews reviews aren t verified but google checks for and removes fake content when it s identified a hello sunshine x reese

next year in havana kindle edition amazon com au - Dec 12 2022

chanel cleeton chanel cleeton is the new york times and usa today bestselling author of reese witherspoon book club pick next year in havana when we left cuba the last train to key west and the most beautiful girl in cuba

next year in havana summary and study guide supersummary - Mar 03 2022

overview next year in havana is a novel by chanel cleeton a cuban american writer of contemporary romance and historical fiction the book was the july 2018 selection for reese witherspoon s book club and a new york times bestseller

[next year in havana kindle edition by cleeton chanel](#) - May 17 2023

feb 6 2018 next year in havana kindle edition by cleeton chanel download it once and read it on your kindle device pc phones or tablets use features like bookmarks note taking and highlighting while reading next year in havana

next year in havana google play - Jul 07 2022

next year in havana chanel cleeton feb 2018 blackstone audio inc narrated by kyla garcia and frankie corzo 4 6 star 14 reviews headphones audiobook 11 hr 16 min unabridged family home

next year in havana 2018 edition open library - Feb 14 2023

next year in havana by chanel cleeton 2018 edition in english large print edition

[next year in havana book 2021 worldcat org](#) - Apr 04 2022

note citations are based on reference standards however formatting rules can vary widely between applications and fields of interest or study the specific requirements or preferences of your reviewing publisher classroom teacher institution or organization should be applied

next year in havana by chanel cleeton 9780399586682 - Jul 19 2023

next year in havana is a riveting moving novel that explores the ever relevant themes of love and sacrifice family and duty patriotism and resistance cleeton describes havana so vividly that i felt i was there i could not put this book down alyssa palombo author of the most beautiful woman in florence

next year in havana kindle edition amazon co uk - Jun 18 2023

next year in havana is a riveting moving novel that explores the ever relevant themes of love and sacrifice family and duty patriotism and resistance cleeton describes havana so vividly that i felt i was there

[next year in havana english edition kindle](#) - Sep 09 2022

feb 6 2018 next year in havana is a riveting moving novel that explores the ever relevant themes of love and sacrifice family and duty patriotism and resistance cleeton describes havana so vividly that i felt i was there i could not put this book down alyssa palombo author of the most beautiful woman in florence praise for next year in havana

next year in havana by chanel cleeton goodreads - Oct 10 2022

next year in havana book read 10 861 reviews from the world s largest community for readers after the death of her beloved grandmother a cuban america

[reading guide for next year in havana by chanel cleeton](#) - May 05 2022

reading guide for next year in havana by chanel cleeton summary excerpt reading guide reviews beyond the book read alike genres themes author bio

[next year in havana chanel cleeton google books](#) - Nov 11 2022

arriving in havana marisol comes face to face with the contrast of cuba s tropical timeless beauty and its perilous political climate when more family history comes to light and marisol finds herself attracted to a man with secrets of his own she ll need the lessons of her grandmother s past to help her understand the true meaning of courage

[next year in havana cleeton chanel amazon ca books](#) - Jan 13 2023

next year in havana is an extraordinary journey that connects the past and present and will enthrall readers until the very end rt book review starred review an enticing and wonderful read for lovers of historical fiction and soul searching journeys

next year in havana english edition format kindle amazon fr - Aug 08 2022

next year in havana english edition format kindle Édition en anglais de chanel cleeton auteur format format kindle 4 3 17 110 évaluations afficher tous les formats et éditions format kindle 2 49 lisez avec notre appli gratuite a hello sunshine x reese witherspoon book club pick