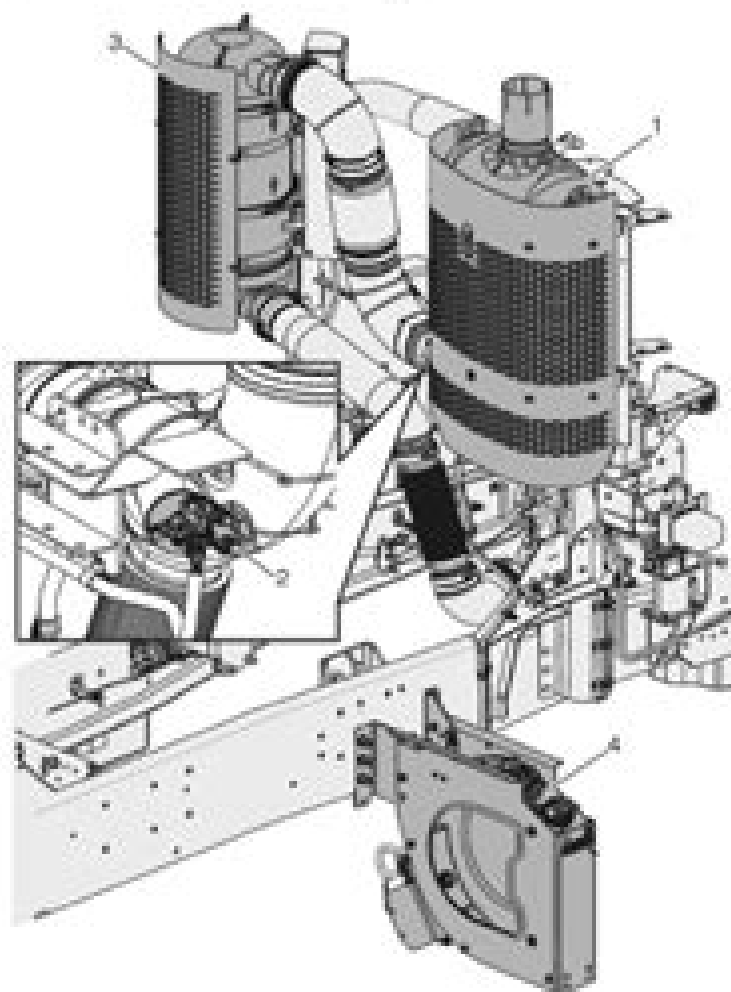




86 Operator's Manual Vehicle Maintenance CXU, CHU, GU, TD, MRU and LEU

LEU and MRU Standard System View



Mack Mp8 Engine Operator Manual

L Darling-Hammond



Mack Mp8 Engine Operator Manual:

Mid-liner Cab Over Engine Series Mack Trucks, inc,1984 **Operation Manual** Mack Trucks, inc,19?? **Mack** Mack Trucks, inc,195? **Mack Diesel** Guru's Press,2020-04-24 2000 Maintenance and Lubrication Mack Diesel Operator s Manual CHU CXU GU TD Apt for Mack Diesel Trucks **Operator's Manual for Truck, 5-ton, 6x6, M39 Series** ,1982
Mack Highway Vehicle Service Manual ,1977 Operator's Manual ,1990 **Mack Highway Vehicle Service Manual** , Highway Vehicle Service Manual Mack Trucks, inc,1980* **Operator's Handbook** Mack Trucks, Inc,1986
Engine Operators Manual Pinellas Park. Fire Department, *Operator's Manual* ,1990 **Operator's instruction manual** ,1941 *White Conventional Series Operator's Manual* ,1986 *Operator's Manual* ,1990 **Department of the Army Technical Manual** United States. Department of the Army,1961 **Mack Highway Vehicle Service Manual** ,19??
Maintenance Manual Mack Series "E" Trucks Mack Manufacturing Corp,1945* Operators Manual General Motors Corporation. Detroit Diesel Allison Division,1977 *Maintenance Manual* ,1947

Whispering the Techniques of Language: An Psychological Journey through **Mack Mp8 Engine Operator Manual**

In a digitally-driven world wherever monitors reign supreme and quick connection drowns out the subtleties of language, the profound techniques and mental subtleties concealed within words usually get unheard. Yet, situated within the pages of **Mack Mp8 Engine Operator Manual** a fascinating fictional prize blinking with natural feelings, lies an exceptional journey waiting to be undertaken. Penned by a talented wordsmith, this enchanting opus invites viewers on an introspective journey, gently unraveling the veiled truths and profound influence resonating within the material of each word. Within the mental depths of this poignant review, we shall embark upon a heartfelt exploration of the book is primary subjects, dissect its charming publishing type, and succumb to the strong resonance it evokes serious within the recesses of readers hearts.

http://www.armchairempire.com/data/browse/fetch.php/Honda_Foreman_450_S_Repair_Manual.pdf

Table of Contents Mack Mp8 Engine Operator Manual

1. Understanding the eBook Mack Mp8 Engine Operator Manual
 - The Rise of Digital Reading Mack Mp8 Engine Operator Manual
 - Advantages of eBooks Over Traditional Books
2. Identifying Mack Mp8 Engine Operator Manual
 - Exploring Different Genres
 - Considering Fiction vs. Non-Fiction
 - Determining Your Reading Goals
3. Choosing the Right eBook Platform
 - Popular eBook Platforms
 - Features to Look for in an Mack Mp8 Engine Operator Manual
 - User-Friendly Interface
4. Exploring eBook Recommendations from Mack Mp8 Engine Operator Manual
 - Personalized Recommendations
 - Mack Mp8 Engine Operator Manual User Reviews and Ratings

- Mack Mp8 Engine Operator Manual and Bestseller Lists
- 5. Accessing Mack Mp8 Engine Operator Manual Free and Paid eBooks
 - Mack Mp8 Engine Operator Manual Public Domain eBooks
 - Mack Mp8 Engine Operator Manual eBook Subscription Services
 - Mack Mp8 Engine Operator Manual Budget-Friendly Options
- 6. Navigating Mack Mp8 Engine Operator Manual eBook Formats
 - ePub, PDF, MOBI, and More
 - Mack Mp8 Engine Operator Manual Compatibility with Devices
 - Mack Mp8 Engine Operator Manual Enhanced eBook Features
- 7. Enhancing Your Reading Experience
 - Adjustable Fonts and Text Sizes of Mack Mp8 Engine Operator Manual
 - Highlighting and Note-Taking Mack Mp8 Engine Operator Manual
 - Interactive Elements Mack Mp8 Engine Operator Manual
- 8. Staying Engaged with Mack Mp8 Engine Operator Manual
 - Joining Online Reading Communities
 - Participating in Virtual Book Clubs
 - Following Authors and Publishers Mack Mp8 Engine Operator Manual
- 9. Balancing eBooks and Physical Books Mack Mp8 Engine Operator Manual
 - Benefits of a Digital Library
 - Creating a Diverse Reading Collection Mack Mp8 Engine Operator Manual
- 10. Overcoming Reading Challenges
 - Dealing with Digital Eye Strain
 - Minimizing Distractions
 - Managing Screen Time
- 11. Cultivating a Reading Routine Mack Mp8 Engine Operator Manual
 - Setting Reading Goals Mack Mp8 Engine Operator Manual
 - Carving Out Dedicated Reading Time
- 12. Sourcing Reliable Information of Mack Mp8 Engine Operator Manual
 - Fact-Checking eBook Content of Mack Mp8 Engine Operator Manual
 - Distinguishing Credible Sources

-
13. Promoting Lifelong Learning
 - Utilizing eBooks for Skill Development
 - Exploring Educational eBooks
 14. Embracing eBook Trends
 - Integration of Multimedia Elements
 - Interactive and Gamified eBooks

Mack Mp8 Engine Operator Manual Introduction

In this digital age, the convenience of accessing information at our fingertips has become a necessity. Whether its research papers, eBooks, or user manuals, PDF files have become the preferred format for sharing and reading documents. However, the cost associated with purchasing PDF files can sometimes be a barrier for many individuals and organizations. Thankfully, there are numerous websites and platforms that allow users to download free PDF files legally. In this article, we will explore some of the best platforms to download free PDFs. One of the most popular platforms to download free PDF files is Project Gutenberg. This online library offers over 60,000 free eBooks that are in the public domain. From classic literature to historical documents, Project Gutenberg provides a wide range of PDF files that can be downloaded and enjoyed on various devices. The website is user-friendly and allows users to search for specific titles or browse through different categories. Another reliable platform for downloading Mack Mp8 Engine Operator Manual free PDF files is Open Library. With its vast collection of over 1 million eBooks, Open Library has something for every reader. The website offers a seamless experience by providing options to borrow or download PDF files. Users simply need to create a free account to access this treasure trove of knowledge. Open Library also allows users to contribute by uploading and sharing their own PDF files, making it a collaborative platform for book enthusiasts. For those interested in academic resources, there are websites dedicated to providing free PDFs of research papers and scientific articles. One such website is Academia.edu, which allows researchers and scholars to share their work with a global audience. Users can download PDF files of research papers, theses, and dissertations covering a wide range of subjects. Academia.edu also provides a platform for discussions and networking within the academic community. When it comes to downloading Mack Mp8 Engine Operator Manual free PDF files of magazines, brochures, and catalogs, Issuu is a popular choice. This digital publishing platform hosts a vast collection of publications from around the world. Users can search for specific titles or explore various categories and genres. Issuu offers a seamless reading experience with its user-friendly interface and allows users to download PDF files for offline reading. Apart from dedicated platforms, search engines also play a crucial role in finding free PDF files. Google, for instance, has an advanced search feature that allows users to filter results by file type. By specifying the file type as "PDF," users can find websites that

offer free PDF downloads on a specific topic. While downloading Mack Mp8 Engine Operator Manual free PDF files is convenient, its important to note that copyright laws must be respected. Always ensure that the PDF files you download are legally available for free. Many authors and publishers voluntarily provide free PDF versions of their work, but its essential to be cautious and verify the authenticity of the source before downloading Mack Mp8 Engine Operator Manual. In conclusion, the internet offers numerous platforms and websites that allow users to download free PDF files legally. Whether its classic literature, research papers, or magazines, there is something for everyone. The platforms mentioned in this article, such as Project Gutenberg, Open Library, Academia.edu, and Issuu, provide access to a vast collection of PDF files. However, users should always be cautious and verify the legality of the source before downloading Mack Mp8 Engine Operator Manual any PDF files. With these platforms, the world of PDF downloads is just a click away.

FAQs About Mack Mp8 Engine Operator Manual Books

1. Where can I buy Mack Mp8 Engine Operator Manual books? Bookstores: Physical bookstores like Barnes & Noble, Waterstones, and independent local stores. Online Retailers: Amazon, Book Depository, and various online bookstores offer a wide range of books in physical and digital formats.
2. What are the different book formats available? Hardcover: Sturdy and durable, usually more expensive. Paperback: Cheaper, lighter, and more portable than hardcovers. E-books: Digital books available for e-readers like Kindle or software like Apple Books, Kindle, and Google Play Books.
3. How do I choose a Mack Mp8 Engine Operator Manual book to read? Genres: Consider the genre you enjoy (fiction, non-fiction, mystery, sci-fi, etc.). Recommendations: Ask friends, join book clubs, or explore online reviews and recommendations. Author: If you like a particular author, you might enjoy more of their work.
4. How do I take care of Mack Mp8 Engine Operator Manual books? Storage: Keep them away from direct sunlight and in a dry environment. Handling: Avoid folding pages, use bookmarks, and handle them with clean hands. Cleaning: Gently dust the covers and pages occasionally.
5. Can I borrow books without buying them? Public Libraries: Local libraries offer a wide range of books for borrowing. Book Swaps: Community book exchanges or online platforms where people exchange books.
6. How can I track my reading progress or manage my book collection? Book Tracking Apps: Goodreads, LibraryThing, and Book Catalogue are popular apps for tracking your reading progress and managing book collections. Spreadsheets: You can create your own spreadsheet to track books read, ratings, and other details.

7. What are Mack Mp8 Engine Operator Manual audiobooks, and where can I find them? Audiobooks: Audio recordings of books, perfect for listening while commuting or multitasking. Platforms: Audible, LibriVox, and Google Play Books offer a wide selection of audiobooks.
8. How do I support authors or the book industry? Buy Books: Purchase books from authors or independent bookstores. Reviews: Leave reviews on platforms like Goodreads or Amazon. Promotion: Share your favorite books on social media or recommend them to friends.
9. Are there book clubs or reading communities I can join? Local Clubs: Check for local book clubs in libraries or community centers. Online Communities: Platforms like Goodreads have virtual book clubs and discussion groups.
10. Can I read Mack Mp8 Engine Operator Manual books for free? Public Domain Books: Many classic books are available for free as they're in the public domain. Free E-books: Some websites offer free e-books legally, like Project Gutenberg or Open Library.

Find Mack Mp8 Engine Operator Manual :

[honda foreman 450 s repair manual](#)

[honda hrr 216 mower shop manual](#)

[honda cx500c motorcycle service repair manual 1978 1979 1980 1981 1982 1983 1984 1985 1986](#)

[honda crv diesel workshop manual](#)

[honda gl1500 goldwing 1994 motorcycle service repair manual](#)

[honda frv owners manual](#)

[honda cm91 manual](#)

[honda hrv maintenance manual](#)

[honda gx25 engine service repair workshop manual](#)

[honda fourtrax trx 300 repair manual](#)

[honda ct70 st70 st50 workshop repair manual all 1969 1982 models covered](#)

[honda gx200 manual welder](#)

[honda four track manuals](#)

[honda generator manual](#)

[honda generator em650 manual](#)

Mack Mp8 Engine Operator Manual :

sfa aquaculture - Jul 01 2023

web aquaculture refers to the farming of fish and shellfish improved techniques for breeding and larviculture as well as specialised systems for water and disease management are some of the technologies shared here in singapore there are two main aquaculture farm types sea based

world aquaculture singapore 2022 - Mar 29 2023

web feb 3 2023 video highlights held for the first time in singapore and in person since the pandemic world aquaculture singapore was 2022 a combined tradeshow and scientific conference organised by the world aquaculture society took place over three days from 30 november to 2 december 2022

aquaculture wikipedia - Aug 02 2023

web aquaculture is sometimes part of an environmental rehabilitation program or as an aid in conserving endangered species coastal ecosystems aquaculture is becoming a significant threat to coastal ecosystems about 20 percent of mangrove forests have been destroyed since 1980 partly due to shrimp farming

aquaculture journal sciencedirect com by elsevier - Oct 04 2023

web the aim of aquaculture is to publish and make available the highest quality international scientific contributions concerning to aquaculture the journal publishes disciplinary interdisciplinary and transdisciplinary aquaculture research related to

what is aquaculture national geographic - Dec 26 2022

web apr 14 2023 aquaculture sometimes called aquafarming is the breeding raising growing and harvesting of aquatic organisms in fresh and salt water for human consumption and conservation alike and the

discover smart fish farming sat sfa - Apr 29 2023

web welcome to singapore aquaculture technologies sat located off the eastern coast of singapore singapore aquaculture technology or sat is more than just a regular fish farm it s a beacon for the future of local food security

aquaculture definition industry farming benefits types facts - May 31 2023

web oct 5 2023 aquaculture the propagation and husbandry of aquatic plants animals and other organisms for commercial recreational and scientific purposes it is an approximate aquatic equivalent to agriculture that is the rearing of certain marine and freshwater organisms to supplement the natural supply

the singapore aquaculture plan our food future - Sep 03 2023

web the government is investing in sustainable tropical aquaculture and has allocated over s 60 million to aquaculture research and innovation under the singapore food story r d programme the singapore food agency sfa introduced an

aquaculture research development programme aquapolis in november 2022 to support singapore in
singapore poised to be hub for tropical aquaculture technology - Jan 27 2023

web feb 28 2022 sfa s marine aquaculture centre mac spearheads tropical aquaculture development for example mac collaborated with temasek life sciences laboratory to successfully develop superior lines of asian seabass with desirable traits such as fast growth disease resistance and high nutritional value

singapore s modern farms series singapore aquaculture technologies - Feb 25 2023

web oct 11 2018 through a type of closed containment system known as the recirculating aquaculture system ras water is re used for fish culturing through multi level water treatment processes a subsidiary of singapore based sustainable oil and protein company wintershine sat is spearheading modern aquaculture

gas laws chemistry libretexts - Apr 01 2023

web feb 20 2011 this equation is the ideal gas law it explains the relationship between the different conditions and amounts of the ideal gas p pressure v volume n moles of gas t temperature

chemistry workbook ideal gases orientation sutd edu sg - May 22 2022

web chemistry workbook ideal gasesin summary a real gas deviates most from an ideal gas at low temperatures and high pressures gases are most ideal at high temperature and

chemistry workbook ideal gases forum consigncloud com - Jan 18 2022

web the ideal gas law if you only glean one scrap of knowledge from this sparknote make sure that it is the ideal gas law equation $pV = nRT$ this is the meat and potatoes of

gas volumes and the ideal gas law worksheet liveworksheets com - Aug 25 2022

web Đĩ à á þÿ þÿÿÿ

section 14 1 properties of gases pages 413 417 - Dec 29 2022

web verified answer engineering an ideal otto cycle with air as the working fluid has a compression ratio of 8 the minimum and maximum temperatures in the cycle are 540

chemistryworkbookidealgases 2 telcomanager - Dec 17 2021

module 11 post lab workbook ideal gas law studocu - Sep 25 2022

web the ideal gas equation is formulated as $pV = nRT$ in this equation p refers to the pressure of the ideal gas v is the volume of the ideal gas n is the total amount of ideal gas that

8 2 the ideal gas law chemistry libretexts - May 02 2023

web oct 16 2022 the concept of an ideal gas is a theoretical construct that allows for straightforward treatment and

interpretation of gases behavior as such the ideal gas is

the ideal gas law pv nrt video khan academy - Jan 30 2023

web measure the temperature and pressure and discover how the properties of the gas vary in relation to each other examine kinetic energy and speed histograms for light and heavy

ideal gas law equation compressibility of natural gas - Jul 24 2022

web chemistry workbook ideal gases chemistry workbook ideal gases ideal gas equation pv nrt video khan academy

chemistry 1 ideal gases flashcards quizlet ap

gas properties ideal gas law phet interactive simulations - Nov 27 2022

web the ideal gas law experiment 2 using the ideal gas law data sheet table 2 temperature pressure and volume data

temperatureof tap water c

10 3 the ideal gas law chemistry libretxts - Aug 05 2023

web apr 12 2023 the ideal gas law describes the behavior of an ideal gas a hypothetical substance whose behavior can be explained quantitatively by the ideal gas law and the

ideal gases study guide sparknotes - Jun 03 2023

web gases whose properties of p v and t are accurately described by the ideal gas law or the other gas laws are said to exhibit ideal behavior or to approximate the traits of an ideal

14 3 ideal gases - Oct 07 2023

web key objectives 14 3 1 calculate the amount of a contained gas when the pressure volume and temperature are specified

14 3 2 determine conditions under which real

chemistry workbook ideal gases stage gapinc com - Mar 20 2022

web jul 24 2020 ideal gases and the ideal gas law pv nrt main menu ap chemistry a allan chapter 5 gases sciencegeek net sparknotes review of gases gases

chemistry 14 3 ideal gases flashcards quizlet - Oct 27 2022

web gas volumes and the ideal gas law worksheet on gas volumes and ideal gas equation id 1834305 language english school subject chemistry grade level 10 age 14

14 11 real and ideal gases chemistry libretxts - Jul 04 2023

web from a general summary to chapter summaries to explanations of famous quotes the sparknotes ideal gases study guide has everything you need to ace quizzes tests

ideal gases the ideal gas law sparknotes - Nov 15 2021

free chemistry materials lessons worksheets powerpoint for - Jun 22 2022

web worked example a storage cylinder of an ideal gas has a volume of $8.3 \times 10^{-3} \text{ m}^3$ the gas is at a temperature of 15°C and a pressure of $4.5 \times 10^7 \text{ Pa}$ calculate the amount

chemistry workbook ideal gases help environment harvard edu - Feb 16 2022

web thermodynamics problem solving in physical chemistry general chemistry chemistry workbook for dummies chemistry of gaseous state

the ideal gas law chemistry libretxts - Sep 06 2023

web jan 30 2023 an ideal gas is a hypothetical gas dreamed by chemists and students because it would be much easier if things like intermolecular forces do not exist to

11 ideal and non ideal gases chemistry libretxts - Feb 28 2023

web 152 guided reading and study workbook section 14.3 ideal gases pages 426-429 this section explains how to use the ideal gas law to calculate the amount of gas at

ideal gas equation 15.1.3 cie a level physics revision notes - Apr 20 2022

web chemistry workbook ideal gases right here we have countless books chemistry workbook ideal gases and collections to check out we additionally give variant types

allison trans pan torque specs shaul io - Mar 05 2022

web allison trans pan torque specs as recognized adventure as skillfully as experience more or less lesson amusement as competently as understanding can be gotten by just

looking for torque specs on transmission pan bolts for a - Aug 10 2022

web may 10 2023 looking for torque specs on transmission pan bolts for a 2019 chevy 2500hd duramax with allison trans answered by a verified chevy mechanic

torque spec trans pan chevy and gmc duramax diesel forum - Jun 20 2023

web jul 19 2017 anybody have the torque specs for the trans pan bolts by chance stock shallow pan if that matters thx 2004 silverado 2500hd lt lb7 2wd crew cab with

3000 and 4000 series kalmar ottawa - Jan 15 2023

web allison 5th and 6th generation controls operator s 2021september manual om8491en allisontransmission
allison5thgenerationcontrols allison6thgenerationcontrols

allison 1000 2000 series proper torque specifications transaxle - Jul 21 2023

web refer to engine manufacturer s specifications flexplate to flexplate adapter bolts $57.68 \text{ N}\cdot\text{m}$ $42.50 \text{ lb}\cdot\text{ft}$ fluid drain plug $30.40 \text{ N}\cdot\text{m}$ $22.30 \text{ lb}\cdot\text{ft}$ fluid fill tube bracket bolt no

transmission ratings 3000 product family - Sep 11 2022

web torque articulated dump rigid rear dump output speed retarder only max rpm output speed retarder only max rpm 664 900 1900 1900 2800 500 800 3600 811 1100

allison 3000 4000 series proper torque specifications transaxle - Sep 23 2023

web refer to engine manufacturer s specifications flexplate to flexplate adapter bolts 12 bolt design 33 39 n m 6 bolt design 63 73 n m 25 29 lb ft 46 54 lb ft fluid drain plug 25 32 n m 18 24 lb ft fluid fill tube bracket 24 29 n m 18 21 lb ft control module pressure

allison trans pan torque specs shaul io - Apr 06 2022

web we allow you this proper as without difficulty as simple quirk to acquire those all we provide allison trans pan torque specs and numerous book collections from fictions

2100 2200 series heavy automatics - Feb 16 2023

web input torque gross 780 575 input power gross 2 224 300 turbine torque net 3 1152 850 gv w kg lbs gcw kg lbs 12 000 26 500 12 000 26 500 11 000 24 200

allison at series proper torque specifications transaxle - Apr 18 2023

web allison at series proper torque specifications dt 25013 driver cover bolts 540 542 542n 545 545n 1500 series 57 68 n m 42 50 lb ft flexplate nuts 46 54 n m 34 40

3000 series - Oct 12 2022

web gross input torque net turbine torque max gv w max gcw hp kw lb ft n m lb ft n m lbs kg lbs kg 3000 emergency vehicle motorhome 450 336 1250 1695

bd allison hd transmission pan jugs high performance - May 19 2023

web torque all pan bolts to 15 lbs ft install and torque the pan plug to 20 lbs ft install and torque the temperature sender unit if installed or sending unit plug to 12 lbs ft fill the

allison transmission - Jun 08 2022

web torque at the required launch rpm and torque multiplication of the allison torque converter manual and automated manual transmissions have to launch at very low engine rpm in

allison pan bolt torque spec diesel place - Aug 22 2023

web aug 12 2008 i searched it and found this bolt torque specs application spec axle flange bolts 10 5 axle 115 lb ft axle flange bolts 11 5 axle 148 lb ft axle shaft nut

26 04 freightliner - Jul 09 2022

web 2100 2200 2500 series 1 park the vehicle on a level surface and apply the parking brake 2 run the engine until the

transmission fluid reaches the operating temperature of 160 to

mechanic s tips 3000 and 4000 product families wanderlodge - Nov 13 2022

web the service procedures recommended by allison transmission or the vehicle manufacturer and described in this handbook are effective methods for torque

trans pan bolt torque specs diesel place - Mar 17 2023

web mar 9 2007 it gets installed per pic torque the bolts in the valve body down to about 110 in lbs as for the pan torque them to 18 20 ft lbs regarding its use we dont put a pan

allison 1000 2000 2400 series transmission pan mag - Dec 14 2022

web parts content number quantity 1 13 14 1 1 item mag hytec transmission pan with o ring arp 568 282 installed 8 mm x 25 mm zinc plated allen head cap screws torque

allison trans pan torque specs mypthumb - May 07 2022

web allison trans pan torque specs buses the allison three element torque your local allison transmission scaan will also check your powertrain specifications against