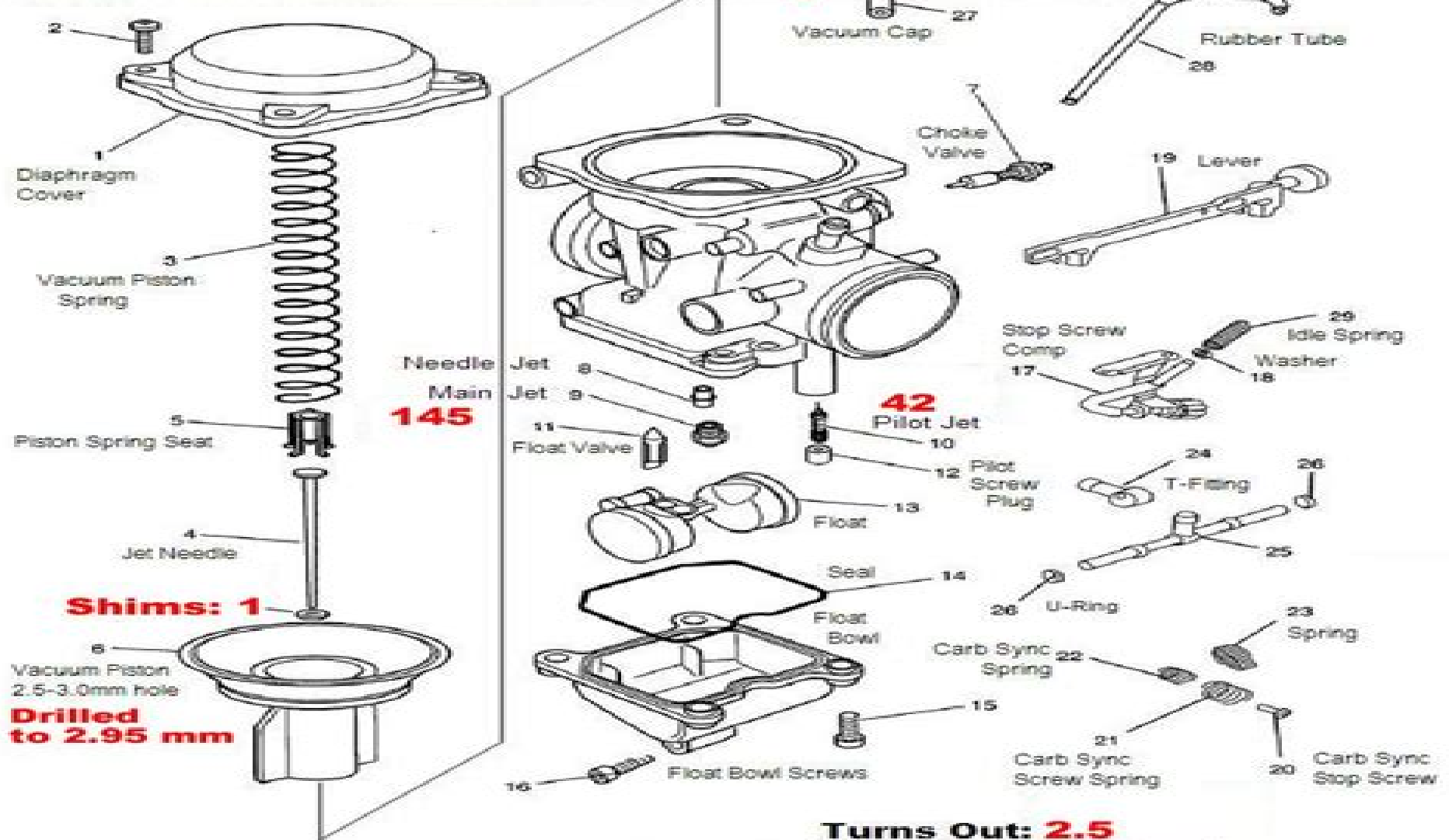
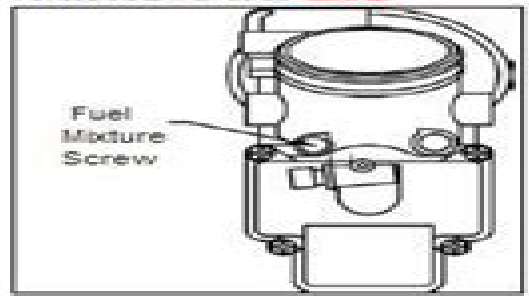
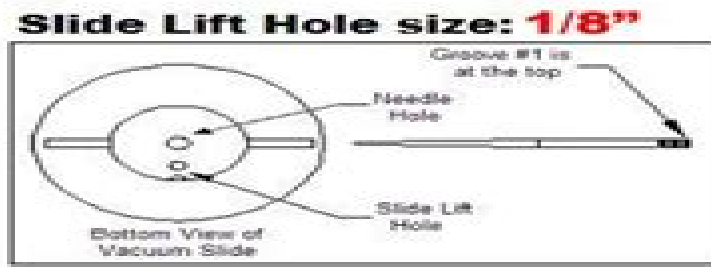


Keihin CVK Carburetor 2008 Triumph Bonneville



Shims: 1

Turns Out: 2.5



Keihin Cvk Service Manual

**Intertec Publishing Corporation.
Technical Publications Division**



Keihin Cvk Service Manual:

Motorcycle Service Manual ,1966 *Motorcycle Service Manual* Howard W. Sams & Co,1972 Motorcycle Service Manual ,1968 *Motorcycle Service Manual* Intertec Publishing Corporation. Technical Publications Division,1972
Kawasaki Motorcycle Service Manual ,1991 *Motorcycle Service Manual* ,1975 **Motorcycle Service Manual: Two-stroke models.-v.2. Four-stroke models** ,1972 **Motorcycle Service Manual. - 2: 2-stroke Multi-cylinder Models** ,1975 *Motorcycle Service Manual* Intertec Publishing Corporation,1975 **2-Stroke Motorcycle Service Manual** ,1968 4-stroke Motorcycle Service Manual Intertec Publishing Corporation. Technical Publications Division,1968
Motorcycle Service Manual Intertec Publishing Corporation. Technical Publications Division,1975 *Motorcycle Service Manual* ,1975 Kawasaki Motorcycle Owner's & Service Manual KE125 Kawasaki Jūkōgyō Kabushiki Kaisha,1981
Motorcycle Service Manual ,1975 **Kawasaki KE250 Motorcycle Service Manual** Kawasaki Jūkōgyō Kabushiki Kaisha,1978 Kawasaki VN-15 Motorcycle Service Manual Supplement Kawasaki Jūkōgyō Kabushiki Kaisha,1993
Motorcycle service manual ,1975 Motorcycle Service Manuals Howard W. Sams & Co,1975 *Motorcycle Service Manual* ,1972

Thank you very much for reading **Keihin Cvk Service Manual**. Maybe you have knowledge that, people have look numerous times for their favorite books like this Keihin Cvk Service Manual, but end up in malicious downloads. Rather than reading a good book with a cup of tea in the afternoon, instead they juggled with some infectious bugs inside their laptop.

Keihin Cvk Service Manual is available in our book collection an online access to it is set as public so you can get it instantly. Our books collection hosts in multiple countries, allowing you to get the most less latency time to download any of our books like this one.

Merely said, the Keihin Cvk Service Manual is universally compatible with any devices to read

http://www.armchairempire.com/data/uploaded-files/index.jsp/haier_washing_machine_manual.pdf

Table of Contents Keihin Cvk Service Manual

1. Understanding the eBook Keihin Cvk Service Manual
 - The Rise of Digital Reading Keihin Cvk Service Manual
 - Advantages of eBooks Over Traditional Books
2. Identifying Keihin Cvk Service Manual
 - Exploring Different Genres
 - Considering Fiction vs. Non-Fiction
 - Determining Your Reading Goals
3. Choosing the Right eBook Platform
 - Popular eBook Platforms
 - Features to Look for in an Keihin Cvk Service Manual
 - User-Friendly Interface
4. Exploring eBook Recommendations from Keihin Cvk Service Manual
 - Personalized Recommendations
 - Keihin Cvk Service Manual User Reviews and Ratings

- Keihin Cvk Service Manual and Bestseller Lists
- 5. Accessing Keihin Cvk Service Manual Free and Paid eBooks
 - Keihin Cvk Service Manual Public Domain eBooks
 - Keihin Cvk Service Manual eBook Subscription Services
 - Keihin Cvk Service Manual Budget-Friendly Options
- 6. Navigating Keihin Cvk Service Manual eBook Formats
 - ePub, PDF, MOBI, and More
 - Keihin Cvk Service Manual Compatibility with Devices
 - Keihin Cvk Service Manual Enhanced eBook Features
- 7. Enhancing Your Reading Experience
 - Adjustable Fonts and Text Sizes of Keihin Cvk Service Manual
 - Highlighting and Note-Taking Keihin Cvk Service Manual
 - Interactive Elements Keihin Cvk Service Manual
- 8. Staying Engaged with Keihin Cvk Service Manual
 - Joining Online Reading Communities
 - Participating in Virtual Book Clubs
 - Following Authors and Publishers Keihin Cvk Service Manual
- 9. Balancing eBooks and Physical Books Keihin Cvk Service Manual
 - Benefits of a Digital Library
 - Creating a Diverse Reading Collection Keihin Cvk Service Manual
- 10. Overcoming Reading Challenges
 - Dealing with Digital Eye Strain
 - Minimizing Distractions
 - Managing Screen Time
- 11. Cultivating a Reading Routine Keihin Cvk Service Manual
 - Setting Reading Goals Keihin Cvk Service Manual
 - Carving Out Dedicated Reading Time
- 12. Sourcing Reliable Information of Keihin Cvk Service Manual
 - Fact-Checking eBook Content of Keihin Cvk Service Manual
 - Distinguishing Credible Sources

13. Promoting Lifelong Learning
 - Utilizing eBooks for Skill Development
 - Exploring Educational eBooks
14. Embracing eBook Trends
 - Integration of Multimedia Elements
 - Interactive and Gamified eBooks

Keihin Cvk Service Manual Introduction

In this digital age, the convenience of accessing information at our fingertips has become a necessity. Whether its research papers, eBooks, or user manuals, PDF files have become the preferred format for sharing and reading documents. However, the cost associated with purchasing PDF files can sometimes be a barrier for many individuals and organizations. Thankfully, there are numerous websites and platforms that allow users to download free PDF files legally. In this article, we will explore some of the best platforms to download free PDFs. One of the most popular platforms to download free PDF files is Project Gutenberg. This online library offers over 60,000 free eBooks that are in the public domain. From classic literature to historical documents, Project Gutenberg provides a wide range of PDF files that can be downloaded and enjoyed on various devices. The website is user-friendly and allows users to search for specific titles or browse through different categories. Another reliable platform for downloading Keihin Cvk Service Manual free PDF files is Open Library. With its vast collection of over 1 million eBooks, Open Library has something for every reader. The website offers a seamless experience by providing options to borrow or download PDF files. Users simply need to create a free account to access this treasure trove of knowledge. Open Library also allows users to contribute by uploading and sharing their own PDF files, making it a collaborative platform for book enthusiasts. For those interested in academic resources, there are websites dedicated to providing free PDFs of research papers and scientific articles. One such website is Academia.edu, which allows researchers and scholars to share their work with a global audience. Users can download PDF files of research papers, theses, and dissertations covering a wide range of subjects. Academia.edu also provides a platform for discussions and networking within the academic community. When it comes to downloading Keihin Cvk Service Manual free PDF files of magazines, brochures, and catalogs, Issuu is a popular choice. This digital publishing platform hosts a vast collection of publications from around the world. Users can search for specific titles or explore various categories and genres. Issuu offers a seamless reading experience with its user-friendly interface and allows users to download PDF files for offline reading. Apart from dedicated platforms, search engines also play a crucial role in finding free PDF files. Google, for instance, has an advanced search feature that allows users to filter results by file type. By specifying the file type as "PDF," users can find websites that offer

free PDF downloads on a specific topic. While downloading Keihin Cvk Service Manual free PDF files is convenient, its important to note that copyright laws must be respected. Always ensure that the PDF files you download are legally available for free. Many authors and publishers voluntarily provide free PDF versions of their work, but its essential to be cautious and verify the authenticity of the source before downloading Keihin Cvk Service Manual. In conclusion, the internet offers numerous platforms and websites that allow users to download free PDF files legally. Whether its classic literature, research papers, or magazines, there is something for everyone. The platforms mentioned in this article, such as Project Gutenberg, Open Library, Academia.edu, and Issuu, provide access to a vast collection of PDF files. However, users should always be cautious and verify the legality of the source before downloading Keihin Cvk Service Manual any PDF files. With these platforms, the world of PDF downloads is just a click away.

FAQs About Keihin Cvk Service Manual Books

What is a Keihin Cvk Service Manual PDF? A PDF (Portable Document Format) is a file format developed by Adobe that preserves the layout and formatting of a document, regardless of the software, hardware, or operating system used to view or print it. **How do I create a Keihin Cvk Service Manual PDF?** There are several ways to create a PDF: Use software like Adobe Acrobat, Microsoft Word, or Google Docs, which often have built-in PDF creation tools. Print to PDF: Many applications and operating systems have a "Print to PDF" option that allows you to save a document as a PDF file instead of printing it on paper. Online converters: There are various online tools that can convert different file types to PDF. **How do I edit a Keihin Cvk Service Manual PDF?** Editing a PDF can be done with software like Adobe Acrobat, which allows direct editing of text, images, and other elements within the PDF. Some free tools, like PDFescape or Smallpdf, also offer basic editing capabilities. **How do I convert a Keihin Cvk Service Manual PDF to another file format?** There are multiple ways to convert a PDF to another format: Use online converters like Smallpdf, Zamzar, or Adobe Acrobats export feature to convert PDFs to formats like Word, Excel, JPEG, etc. Software like Adobe Acrobat, Microsoft Word, or other PDF editors may have options to export or save PDFs in different formats. **How do I password-protect a Keihin Cvk Service Manual PDF?** Most PDF editing software allows you to add password protection. In Adobe Acrobat, for instance, you can go to "File" -> "Properties" -> "Security" to set a password to restrict access or editing capabilities. Are there any free alternatives to Adobe Acrobat for working with PDFs? Yes, there are many free alternatives for working with PDFs, such as: LibreOffice: Offers PDF editing features. PDFsam: Allows splitting, merging, and editing PDFs. Foxit Reader: Provides basic PDF viewing and editing capabilities. How do I compress a PDF file? You can use online tools like Smallpdf, ILovePDF, or desktop software like Adobe Acrobat to compress PDF files without significant quality loss. Compression reduces the file size, making it easier to

share and download. Can I fill out forms in a PDF file? Yes, most PDF viewers/editors like Adobe Acrobat, Preview (on Mac), or various online tools allow you to fill out forms in PDF files by selecting text fields and entering information. Are there any restrictions when working with PDFs? Some PDFs might have restrictions set by their creator, such as password protection, editing restrictions, or print restrictions. Breaking these restrictions might require specific software or tools, which may or may not be legal depending on the circumstances and local laws.

Find Keihin Cvk Service Manual :

[haier washing machine manual](#)

[hadoop beginners guide by garry turkington 2013 02 22](#)

[guided reading economics answers](#)

[guided the age of the railroads answer](#)

hacking the academy new approaches to scholarship and teaching from digital humanities

guided reading chapter 6 answers

~~guided workbook american history teacher guide~~

[gunshot wounds gunshot wounds](#)

guido facchin le percussioni

~~haas sl10 manual~~

guy alexander white rebecca rose

haier wn03v manual

gumbo people louisiana creole english spanish french haitian creole

gullivers travels norton critical editions

[haas tm 2 manual](#)

Keihin Cvk Service Manual :

cultural heritage matters when it comes to combating human - Jan 29 2022

web sep 12 2023 cultural heritage matters when it comes to combating human created climate change officials from unesco are meeting to decide if venice italy should be listed as an endangered world heritage

a cultural history of climate institute of historical research - Jul 03 2022

web the author of a cultural history of climate german historian wolfgang behringer could hardly have foreseen this latest

turn in the story of climate change the book was originally published in german as kulturgeschichte des klimas in 2007 but has only recently been translated into english

a cultural history of climate change lehmanns de - Aug 04 2022

web charting innovative directions in the environmental humanities this book examines the cultural history of climate change under three broad headings history writing and politics climate change compels us to rethink many of our traditional means of historical understanding and demands new ways of relating human knowledge action and

a cultural history of climate 1st edition amazon com - Feb 27 2022

web dec 21 2009 a cultural history of climate provides both a perspective of the entire history of the earth and a perspective of the impact of climate change on humanity during its existence as a species it discussed the science behind how we have come to understand what has happened to earth over the billions of years of its existence

a cultural history of climate wiley - Jun 02 2022

web in this major new book wolfgang behringer introduces us to the latest historical research on the development of the earth s climate he focuses above all on the cultural reactions to climate change through the ages showing how even minor changes in the climate sometimes resulted in major social political and religious upheavals

a cultural history of climate change google books - Aug 16 2023

web apr 20 2016 routledge apr 20 2016 business economics 264 pages charting innovative directions in the environmental humanities this book examines the cultural history of climate change under

a cultural history of climate change routledge environmental - Mar 11 2023

web a cultural history of climate change routledge environmental humanities amazon com tr kitap

climate change history greenhouse effect treaties history - Nov 07 2022

web oct 6 2017 the greenhouse effect in the 1820s french mathematician and physicist joseph fourier proposed that energy reaching the planet as sunlight must be balanced by energy returning to space since heated

a cultural history of climate change routledge environmental - Dec 08 2022

web dec 21 2017 a cultural history of climate change routledge environmental humanities 1st edition charting innovative directions in the environmental humanities this book examines the cultural history of climate change under three broad headings history writing and politics

a cultural history of climate change academia edu - May 13 2023

web a cultural history of climate change dr thomas bristow charting innovative directions in the environmental humanities this book examines the cultural history of climate change under three broad headings history writing and politics climate change compels us to rethink many of our traditional means of historical understanding and demands

[a cultural history of climate change 1st edition routledge](#) - Jul 15 2023

web charting innovative directions in the environmental humanities this book examines the cultural history of climate change under three broad headings history writing and politics climate change compels us to rethink many of our traditional means of historical understanding and demands new ways of relating human knowledge action and

a cultural history of climate kağıt kapak amazon com tr - Mar 31 2022

web a cultural history of climate kağıt kapak resimlendirilmiş 13 kasım 2009 İngilizce baskı wolfgang behringer eser sahibi 24 değerlendirme tüm biçimleri ve sürümleri görün ciltli kapak 3 770 00 tl 2 yeni başlangıç fiyatı 1 538 86 tl ciltsiz 568 49 tl 3 yeni başlangıç fiyatı 568 49 tl 6 aya varan taksit seçenekleri taksitler

culture and climate change unesco - Jun 14 2023

web culture the ultimate renewable resource to tackle climate change climate change is one of the major challenges of our time this is also true for the cultural and natural heritage of humanity yet culture is a key resource for mitigating and adapting to climate change

cultural dimensions of climate change impacts and adaptation - Feb 10 2023

web nov 11 2012 we analyse new research across the social sciences to show that climate change threatens cultural dimensions of lives and livelihoods that include the material and lived aspects of culture

[a brief history of climate change bbc news](#) - Sep 05 2022

web sep 20 2013 a brief history of climate change 20 september 2013 bbc news environment correspondent richard black traces key milestones scientific discoveries technical innovations and political action

a cultural history of climate change routledge environmental - Jan 09 2023

web a cultural history of climate change routledge environmental humanities tom bristow amazon com tr kitap

the archaeology of climate change the case for cultural diversity pnas - May 01 2022

web jul 22 2021 the archaeology of climate change offers opportunities to identify the factors that promoted human resilience in the past and apply the knowledge gained to the present contributing a much needed long term perspective to climate research

climate change culture and cultural rights un human rights - Dec 28 2021

web of climate change hence culture and its analysis is central to understanding the causes and meaning of and human responses to climate change id culture is a common good that broadens everyone s capacity to shape his or her own future all individuals are vehicles of culture as well as participants in its development culture

[a cultural history of climate wolfgang behringer google books](#) - Oct 06 2022

web in this major new book wolfgang behringer introduces us to the latest historical research on the development of the

earth s climate he focuses above all on the cultural reactions to

a cultural history of climate change routledge environmental - Apr 12 2023

web may 5 2016 a cultural history of climate change routledge environmental humanities 1st edition charting innovative directions in the environmental humanities this book examines the cultural history of climate change under three broad headings history writing and politics

security analysis and portfolio management global college - Nov 24 2021

security analysis and portfolio management ba5012 studocu - Jul 01 2022

web unit i security analysis and portfolio manat security analysis and portfolio management sbaa 3014 sbaa 3014 financial market definition

sbaa3014 security and portfolio management - Apr 29 2022

web 1 security analysis and portfolio management an overview 1 5 1 1 what is security 1 2 investment objectives 1 3 investment and speculation 1 4 elements of

security analysis and portfolio management notes pdf syllabus - Dec 06 2022

web march 18 2022 check out the details about the security analysis and portfolio management notes mostly this subject will be in master of business administration

security analysis and portfolio management mba - Jul 13 2023

web security analysis and portfolio management mba 921 q 1 investment vs speculation ans 1 investment and speculation both involve the purchase of assets such

mba h4010 security analysis and portfolio management - Mar 29 2022

web apr 24 2018 these notes and ebook on security analysis and portfolio management have been prepared by experienced mba finance faculty and toppers and will provide

security analysis and portfolio management - Dec 26 2021

web security analysis and portfolio management sapm e lecture notes for mba ims mgkvp session 2020 unit iii security analysis is the analysis of trade able financial

security analysis and - Feb 25 2022

web security analysis and portfolio management mba iii semester r 16 syllabus m ramesh assistant professor security analysis is a pre requisite for making

security analysis and portfolio management notes for - Feb 08 2023

web mba note security analysis portfolio management risk return on investment measuring risk and return on single asset

and on n assets portfolio

security analysis and portfolio management studocu - Oct 24 2021

chapter lecture notes security analysis portfolio - Jan 07 2023

web mar 20 2022 you can download the syllabus in security analysis and portfolio management pdf form in the above article a student can download security analysis

security analysis and portfolio management studocu - May 31 2022

web mba h4010 security analysis and portfolio management saptarshi roy financial investment is the commitment of funds for a future return thus investment may be

security analysis and portfolio management free - Nov 05 2022

web the analysis of various financial instruments is called security analysis security analysis helps a financial expert to determine the value of assets in a portfolio msg

security analysis and portfolio management - Jun 12 2023

web security analysis and portfolio management as per revised syllabus 2014 15 third year bbi students of mumbai university fifth semester winner of best

ba7021 security analysis and portfolio management lecture - Aug 02 2022

web security analysis and portfolio management mba elective paper finance i mba second year fourth semester elective paper

security analysis and portfolio management notes pdf - May 11 2023

web application of the security market line apt portfolio analysis diversification portfolio risk and return markowitz risk return optimization single index model the sharpe index

pdf security analysis portfolio management sapm notes - Jan 27 2022

web security analysis and portfolio management sams security analysis and portfolio management 11 319 content lesson no topic page no

security analysis and portfolio management pdf notes - Mar 09 2023

web apr 3 2023 download security analysis and portfolio management notes pdf for mba students from here as they are specially designed keeping all the requirements and vital

download security analysis and portfolio management notes - Oct 04 2022

web third semester lecture notes ba7021 security analysis and portfolio management attachment ba7021 security analysis and portfolio management pdf size 2 14 mb

security analysis and portfolio management sapm e lecture - Aug 14 2023

web security analysis and portfolio management sapm e lecture notes for mba ims mgkvp session 2020 unit iii security analysis the analysis of trade able financial

security analysis and portfolio management management - Sep 03 2022

web studying security analysis and portfolio management ba5012 at anna university on studocu you will find 28 lecture notes practice materials practical essays

concept based notes security analysis and portfolio - Apr 10 2023

web mar 27 2021 we provide complete security analysis and portfolio management pdf security analysis and portfolio management study material includes security

the 10 best things to do in la palma 2023 with photos tripadvisor - May 12 2023

web beaches in la palma horseback riding tours in la palma biking trails in la palma hiking trails in la palma off road atv trails in la palma equipment hire in la palma dolphin whale watching in la palma kayaking canoeing in la palma parasailing paragliding in la palma scuba snorkelling in la palma submarine tours in la palma

things to do in las palmas de gran canaria tripadvisor - Jan 28 2022

web sightseeing tours in las palmas de gran canaria bus tours in las palmas de gran canaria segway tours in las palmas de gran canaria walking tours in las palmas de gran canaria water sports in las palmas de gran canaria boat rentals in las palmas de gran canaria dolphin whale watching in las palmas de gran canaria kayaking

10 best things to do in la palma canary islands tours places to visit - Aug 03 2022

web jul 19 2022 visit la palma part of the canary islands discover the best places to visit on la palma hiking tours boat tours and the cumbre vieja volcano

what to do in la palma canary islands canary islands spain - Mar 10 2023

web jul 19 2022 published on january 20 2021 santa cruz de la palma is the capital of la palma also known as isla bonita one of the smaller islands in the canary islands archipelago of spain santa cruz de la palma is also the largest city on the island with around 15 000 inhabitants things to do in la palma

the 10 best la palma sights landmarks updated 2023 tripadvisor - Jul 02 2022

web la palma landmarks enter dates filters 1 attractions traveller favourites all things to do category types attractions tours day trips outdoor activities concerts shows food drink shopping transportation traveller resources types of attractions sights landmarks nature parks museums boat tours water sports nightlife spas wellness

ultimate guide 23 best things to do and see in la palma island - Nov 06 2022

web jan 14 2023 lush green jungles and waterfalls are something a bit unexpected in the canary islands but here we are

these are the best things to do in the north part of la palma cascada de los tilos waterfall 1 cascada de los tilos waterfall this is undoubtedly the biggest and most beautiful waterfall in the canary islands

best places to visit in la palma 2023 tripadvisor - Dec 07 2022

web perhaps the best way to experience la palma s rugged beauty is a hike through the caldera de taburiente national park or the narrow gorges of los tilos the cool waters of natural swimming hole charco azul beckon on a steamy day the dark sands of playa nueva are great for sunbathing and cat naps

la palma holiday guide events things to do news - Sep 04 2022

web apr 5 2023 carnival los indianos in santa cruz de la palma 2024 published on april 05 2023 the carnival in santa cruz de la palma is celebrated each year sometime in february or march and it is also known as the white party for its unusual characteristic thousand of people dressed in white locals and visitors alike fill the streets and

unlocking the breathtaking beauty of la palma fascinating spain - Apr 30 2022

web today it is a destination of the most attractive in the canary islands also one of the astronomical centers of the world up next the history and keys to discover the beautiful island of la palma first steps to explore la palma the la palma airport can be accessed through north tenerife ferries also arrive through its port from los

what to see in la palma visit canary islands - Mar 30 2022

web the island has many beautiful landscapes with many legends wide laurel forests and numerous water manantiales the most recommended sites and things to see in la palma tourist wise revolve around nature and culture as it has a notable quantity of trails viewpoints natural parks beaches and museums

the 15 best things to do in la palma tripadvisor - Jul 14 2023

web things to do in la palma spain see tripadvisor s 68 356 traveler reviews and photos of la palma tourist attractions find what to do today this weekend or in september we have reviews of the best places to see in la palma visit top rated must see attractions

the best travel guide to la palma updated 2023 - Aug 15 2023

web la palma also known as la isla bonita the beautiful island is the most verdant island in the canary islands archipelago the island boasts breathtaking ecological wonders ranging from lush forests to steep cliffs with black sand beaches making it a constant source of surprises for visitors

la palma travel guide visiting the island of the stars - Feb 26 2022

web may 3 2021 canary islands la palma travel guide visiting the island of the stars the best hiking trails places to stay and travel tips for la isla bonita

the 10 best tourism plans in la palma canary islands spain info - Feb 09 2023

web we suggest 10 travel plans for exploring the island of la palma see its sea of clouds gaze at the stars try its cheese with mojo sauce or enjoy its sunny beaches spain info spain s official tourism website

la palma travel lonely planet spain europe - Apr 11 2023

web nov 11 2016 getty images imagebroker rf la palma spain la palma the greenest of the canarian islands offers the chance to experience real unspoiled nature from the verdant forests of the north where lush vegetation drips from the rainforest canopy to the desertscapes of the south where volcanic craters and twisted rock formations define the

la palma island spain info - Oct 05 2022

web los llanos de aridane 01 where to go places not to be missed beach santa cruz de la palma the capital city of la palma in the canary islands boasts this caldera de taburiente national park on the canary island of la palma nicknamed the green island la palma biosphere reserve la palma is a veritable showcase for the

canary islands guide la palma - Jun 01 2022

web tourism la palma is a popular tourist destination that attracts visitors from all over the world the island is renowned for its stunning natural beauty which includes the caldera de taburiente national park the los tilos forest and the roque de los muchachos observatory one of the best places in the world for stargazing

what to do and see on la palma spain info - Jun 13 2023

web come to la palma in the canary islands known as la isla bonita you will be surprised by the variety of its landscapes from volcanoes to magical laurel forests black sand beaches and natural pools it has been declared a biosphere reserve and offers some of the most interesting trails in the canary islands

la palma 2023 best places to visit tripadvisor - Jan 08 2023

web about la palma la palma is a pristine paradise set against a backdrop of volcanic landscape perhaps the best way to experience la palma s rugged beauty is a hike through the caldera de taburiente national park or the narrow gorges of los tilos

6 best things to do in las palmas de gran canaria guide to canary islands - Dec 27 2021

web oct 19 2018 discover what to do in las palmas de gran canaria if you decide to visit the island s capital points of interest places to visit guide for the perfect holiday