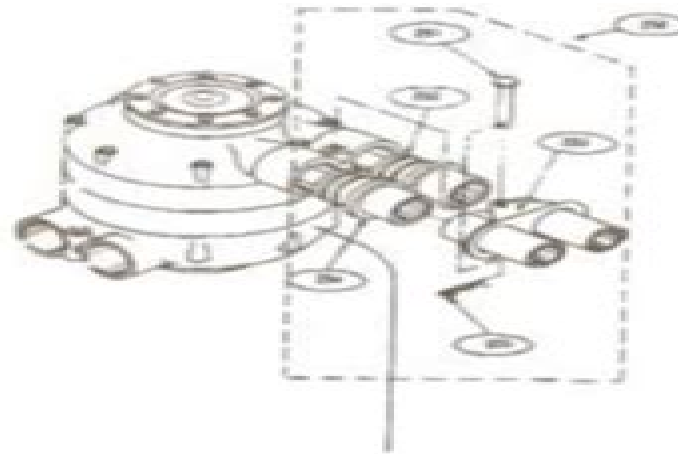
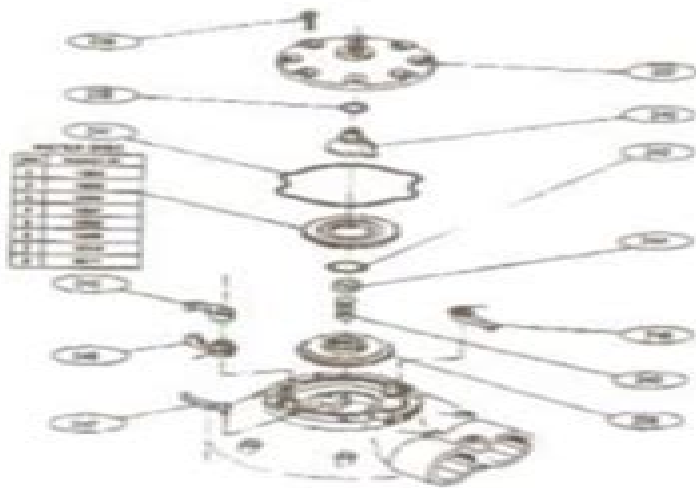


STANDARD

CAP AREA

IN / OUT ADAPTERS



NO.	DESCRIPTION
226	Cover (Cap)
227	Cap
228	Control Disc
229	O-Ring (Actuator)
230	Actuator
241	Seal (Cap)
242	O-Ring (Balance Piston)
244	Balance Piston
245	Flare (Inlet Drive)
246	Flare (Reg. Start)
247	Flare (Reg. Stop)
248	Flare (Reg. Over)

Part numbers on page 113.

NO.	DESCRIPTION
249	Spring (Balance Piston)
250	RL In/Out Adapter (Breed)
	RL In/Out Adapter (Paw-Dust)
	RL In/Out Adapter (Breed/Thrust)
251	Clamp Pin
252	O-Ring (Tank Conn. In/Out)
253	Adapter Bracket In/Out
254	Adapter In/Out (Breed)
	Adapter In/Out (Paw-Dust)
	Adapter In/Out (Breed/Thrust)
255	Washer

Kinetico Quad 51 Water Softener Manual

David Baud



Kinetico Quad 51 Water Softener Manual:

This is likewise one of the factors by obtaining the soft documents of this **Kinetico Quad 51 Water Softener Manual** by online. You might not require more become old to spend to go to the books initiation as capably as search for them. In some cases, you likewise accomplish not discover the declaration Kinetico Quad 51 Water Softener Manual that you are looking for. It will very squander the time.

However below, as soon as you visit this web page, it will be correspondingly entirely simple to get as without difficulty as download guide Kinetico Quad 51 Water Softener Manual

It will not agree to many mature as we explain before. You can reach it even if play in something else at house and even in your workplace. as a result easy! So, are you question? Just exercise just what we have enough money below as with ease as evaluation **Kinetico Quad 51 Water Softener Manual** what you past to read!

<http://www.armchairempire.com/files/uploaded-files/index.jsp/hp%20laserjet%204v%204mv%20printer%20service%20repair%20manual.pdf>

Table of Contents Kinetico Quad 51 Water Softener Manual

1. Understanding the eBook Kinetico Quad 51 Water Softener Manual
 - The Rise of Digital Reading Kinetico Quad 51 Water Softener Manual
 - Advantages of eBooks Over Traditional Books
2. Identifying Kinetico Quad 51 Water Softener Manual
 - Exploring Different Genres
 - Considering Fiction vs. Non-Fiction
 - Determining Your Reading Goals
3. Choosing the Right eBook Platform
 - Popular eBook Platforms
 - Features to Look for in an Kinetico Quad 51 Water Softener Manual
 - User-Friendly Interface

4. Exploring eBook Recommendations from Kinetico Quad 51 Water Softener Manual
 - Personalized Recommendations
 - Kinetico Quad 51 Water Softener Manual User Reviews and Ratings
 - Kinetico Quad 51 Water Softener Manual and Bestseller Lists
5. Accessing Kinetico Quad 51 Water Softener Manual Free and Paid eBooks
 - Kinetico Quad 51 Water Softener Manual Public Domain eBooks
 - Kinetico Quad 51 Water Softener Manual eBook Subscription Services
 - Kinetico Quad 51 Water Softener Manual Budget-Friendly Options
6. Navigating Kinetico Quad 51 Water Softener Manual eBook Formats
 - ePub, PDF, MOBI, and More
 - Kinetico Quad 51 Water Softener Manual Compatibility with Devices
 - Kinetico Quad 51 Water Softener Manual Enhanced eBook Features
7. Enhancing Your Reading Experience
 - Adjustable Fonts and Text Sizes of Kinetico Quad 51 Water Softener Manual
 - Highlighting and Note-Taking Kinetico Quad 51 Water Softener Manual
 - Interactive Elements Kinetico Quad 51 Water Softener Manual
8. Staying Engaged with Kinetico Quad 51 Water Softener Manual
 - Joining Online Reading Communities
 - Participating in Virtual Book Clubs
 - Following Authors and Publishers Kinetico Quad 51 Water Softener Manual
9. Balancing eBooks and Physical Books Kinetico Quad 51 Water Softener Manual
 - Benefits of a Digital Library
 - Creating a Diverse Reading Collection Kinetico Quad 51 Water Softener Manual
10. Overcoming Reading Challenges
 - Dealing with Digital Eye Strain
 - Minimizing Distractions
 - Managing Screen Time
11. Cultivating a Reading Routine Kinetico Quad 51 Water Softener Manual
 - Setting Reading Goals Kinetico Quad 51 Water Softener Manual
 - Carving Out Dedicated Reading Time

12. Sourcing Reliable Information of Kinetico Quad 51 Water Softener Manual
 - Fact-Checking eBook Content of Kinetico Quad 51 Water Softener Manual
 - Distinguishing Credible Sources
13. Promoting Lifelong Learning
 - Utilizing eBooks for Skill Development
 - Exploring Educational eBooks
14. Embracing eBook Trends
 - Integration of Multimedia Elements
 - Interactive and Gamified eBooks

Kinetico Quad 51 Water Softener Manual Introduction

Kinetico Quad 51 Water Softener Manual Offers over 60,000 free eBooks, including many classics that are in the public domain. Open Library: Provides access to over 1 million free eBooks, including classic literature and contemporary works. Kinetico Quad 51 Water Softener Manual Offers a vast collection of books, some of which are available for free as PDF downloads, particularly older books in the public domain. Kinetico Quad 51 Water Softener Manual : This website hosts a vast collection of scientific articles, books, and textbooks. While it operates in a legal gray area due to copyright issues, its a popular resource for finding various publications. Internet Archive for Kinetico Quad 51 Water Softener Manual : Has an extensive collection of digital content, including books, articles, videos, and more. It has a massive library of free downloadable books. Free-eBooks Kinetico Quad 51 Water Softener Manual Offers a diverse range of free eBooks across various genres. Kinetico Quad 51 Water Softener Manual Focuses mainly on educational books, textbooks, and business books. It offers free PDF downloads for educational purposes. Kinetico Quad 51 Water Softener Manual Provides a large selection of free eBooks in different genres, which are available for download in various formats, including PDF. Finding specific Kinetico Quad 51 Water Softener Manual, especially related to Kinetico Quad 51 Water Softener Manual, might be challenging as theyre often artistic creations rather than practical blueprints. However, you can explore the following steps to search for or create your own Online Searches: Look for websites, forums, or blogs dedicated to Kinetico Quad 51 Water Softener Manual, Sometimes enthusiasts share their designs or concepts in PDF format. Books and Magazines Some Kinetico Quad 51 Water Softener Manual books or magazines might include. Look for these in online stores or libraries. Remember that while Kinetico Quad 51 Water Softener Manual, sharing copyrighted material without permission is not legal. Always ensure youre either creating your own or obtaining them from legitimate sources that allow sharing and downloading. Library Check if your local library offers eBook lending services. Many libraries have digital catalogs where you can borrow

Kinetico Quad 51 Water Softener Manual eBooks for free, including popular titles. Online Retailers: Websites like Amazon, Google Books, or Apple Books often sell eBooks. Sometimes, authors or publishers offer promotions or free periods for certain books. Authors Website Occasionally, authors provide excerpts or short stories for free on their websites. While this might not be the Kinetico Quad 51 Water Softener Manual full book, it can give you a taste of the authors writing style. Subscription Services Platforms like Kindle Unlimited or Scribd offer subscription-based access to a wide range of Kinetico Quad 51 Water Softener Manual eBooks, including some popular titles.

FAQs About Kinetico Quad 51 Water Softener Manual Books

How do I know which eBook platform is the best for me? Finding the best eBook platform depends on your reading preferences and device compatibility. Research different platforms, read user reviews, and explore their features before making a choice. Are free eBooks of good quality? Yes, many reputable platforms offer high-quality free eBooks, including classics and public domain works. However, make sure to verify the source to ensure the eBook credibility. Can I read eBooks without an eReader? Absolutely! Most eBook platforms offer web-based readers or mobile apps that allow you to read eBooks on your computer, tablet, or smartphone. How do I avoid digital eye strain while reading eBooks? To prevent digital eye strain, take regular breaks, adjust the font size and background color, and ensure proper lighting while reading eBooks. What the advantage of interactive eBooks? Interactive eBooks incorporate multimedia elements, quizzes, and activities, enhancing the reader engagement and providing a more immersive learning experience. Kinetico Quad 51 Water Softener Manual is one of the best book in our library for free trial. We provide copy of Kinetico Quad 51 Water Softener Manual in digital format, so the resources that you find are reliable. There are also many Ebooks of related with Kinetico Quad 51 Water Softener Manual. Where to download Kinetico Quad 51 Water Softener Manual online for free? Are you looking for Kinetico Quad 51 Water Softener Manual PDF? This is definitely going to save you time and cash in something you should think about.

Find Kinetico Quad 51 Water Softener Manual :

[hp laserjet 4v 4mv printer service repair manual](#)

[hssk40 manual](#)

htc innovation hard reset verizon

hp officejet pro 8500 printer manual

[hsc mathematics extension 1 1990 2007 past papers and worked solutions](#)

[htc evo manual activation](#)

[http new releases book frowq org aplikasi java jar 320x240 more file](#)

[hr215 honda manual](#)

[http 104 140 137 17 kisah nyata bercinta disertai dengan gambarnya sang pakar](#)

[hrw answer study guide the great gatsby](#)

[hp photosmart c3180 user manual](#)

hp pavilion dv 8000 service manual

hp officejet 4110 all in one manual

hp photosmart 435 guide

[hp officejet 8500 repair manual](#)

Kinetico Quad 51 Water Softener Manual :

[amazon com customer reviews v for vendetta deluxe collector set book - May 10 2023](#)

web find helpful customer reviews and review ratings for v for vendetta deluxe collector set book and mask set at amazon com read honest and unbiased product reviews from our users

v for vendetta deluxe collector set by alan moore - Oct 03 2022

web find many great new used options and get the best deals for v for vendetta deluxe collector set by alan moore paperback 2012 at the best online prices at ebay free delivery for many products

vendetta deluxe collector set abebooks - Jun 30 2022

web v for vendetta deluxe collector set moore alan published by vertigo 2012 isbn 10 1401238580 isbn 13 9781401238582 seller marlton books rosenhayn nj u s a seller rating contact seller book new softcover condition new us 57 94 convert currency us 3 00 shipping within u s a

v for vendetta deluxe collector set paperback oct 9 2012 - Jan 06 2023

web v for vendetta deluxe collector set moore alan 8601400253342 books amazon ca

[v for vendetta deluxe collector set by alan moore oct 9 2012 - Dec 05 2022](#)

web v for vendetta deluxe collector set by alan moore oct 9 2012 on amazon com free shipping on qualifying offers v for vendetta deluxe collector set by alan moore oct 9 2012

v for vendetta deluxe collector set amazon in - Sep 02 2022

web v for vendetta deluxe collector set paperback 9 october 2012 by alan moore author 4 6 562 ratings see all formats and

editions paperback returns policy secure transaction

v for vendetta deluxe collector set by alan moore alibris - Mar 28 2022

web v for vendetta deluxe collector set by alan moore alibris buy v for vendetta deluxe collector set by alan moore online at alibris we have new and used copies available in 0 edition starting at shop now skip to main content save 10 through sunday get the code alibris for libraries sell at alibris

v for vendetta deluxe collector set amazon singapore - Sep 14 2023

web hello sign in account lists returns orders cart

v for vendetta deluxe collector set by alan moore alibris - Apr 28 2022

web buy v for vendetta deluxe collector set by alan moore online at alibris we have new and used copies available in 1 editions starting at 28 09 shop now

v for vendetta org deluxe collector set - May 30 2022

web here is my v for vendetta deluxe collector set with mask which was available via pre order on amazon publication date 9 oct 2012 series v for vendetta

v for vendetta deluxe collector set book and mask set - Oct 15 2023

web oct 9 2012 vdom dhtml tml amazon com v for vendetta deluxe collector set book and mask set 8601400253342 moore alan books 4 6 out of 5 stars the inspiration for the hit 2005 movie starring natalie portman and hugo weaving this amazing graphic novel is packaged with a collectable reproduction of the iconic v mask

v for vendetta deluxe collector set abebooks - Mar 08 2023

web feb 21 2016 buy new us 57 94 convert currency shipping us 3 00 within u s a add to basket 30 day return policy about this item new great shape seller inventory 38vswm001osz contact seller report this item bibliographic details title v for vendetta deluxe collector set publisher vertigo publication date 2012 binding

v for vendetta deluxe collector set book and mask set ign - Aug 13 2023

web this collection presents the first comic series based on a galaxy far far away starting with a new hope and concluding with the empires strikes back 125 00 v for vendetta know a big fan

v for vendetta deluxe collector set book and mask set - Nov 04 2022

web v for vendetta deluxe collector set book and mask set moore alan 292 701 ratings by goodreads isbn 10 1401238580 isbn 13 9781401238582 published by vertigo 2012 condition used good soft cover save for later from blue rock books marbella ma spain abebooks seller

v for vendetta deluxe collector set by alan moore waterstones - Aug 01 2022

web jul 14 2013 number of pages 296 weight 698 g dimensions 300 x 220 x 145 mm buy v for vendetta deluxe collector set

by alan moore from waterstones today click and collect from your local waterstones or get free uk delivery on orders over 25
vendetta sg vendetta singapore - Feb 24 2022

web free shipping free shipping on all sg order or order above 80 support 24 7 contact us 24 hours a day 7 days a week 30 days return simply return it within 24 days for an exchange

v for vendetta deluxe collector set amazon com au - Feb 07 2023

web v for vendetta deluxe collector set moore alan amazon com au books skip to main content com au delivering to sydney 1171 sign in to update books select the department you want to search in search amazon com au en hello sign in

v for vendetta deluxe collector set book and mask set ign - Jun 11 2023

web v for vendetta deluxe collector set book and mask set know a big fan of the v for vendetta film who hasn t read the comic it s time to change that immediately

v for vendetta 30th anniversary deluxe by moore alan - Jul 12 2023

web nov 20 2018 this deluxe volume also includes lloyd s and moore s introductions to the series as well as moore s extended history of its creation behind the painted smile and an expanded sketchbook section by lloyd collects v for vendetta 1 10 read more

v for vendetta deluxe collector set by alan moore trade ebay - Apr 09 2023

web find many great new used options and get the best deals for v for vendetta deluxe collector set by alan moore trade paperback 2012 at the best online prices at ebay free shipping for many products

contents the digital doctor hope hype and harm at the dawn - Apr 29 2023

web get full access to the digital doctor hope hype and harm at the dawn of medicine s computer age and 60k other titles with a free 10 day trial of o reilly there are also live events courses curated by job role and more

the digital doctor hope hype and harm at the dawn of - May 31 2023

web apr 7 2015 the digital doctor hope hype and harm at the dawn of medicine s computer age by robert m wachter good account of modern day health care and the requirements for digital to be implemented provides balanced arguments of the risks and benefits of digital implementation

the digital doctor hope hype and harm at the dawn of - Sep 03 2023

web get full access to the digital doctor hope hype and harm at the dawn of medicine s computer age and 60k other titles with a free 10 day trial of o reilly there are also live events courses curated by job role and more

the digital doctor hope hype and harm at the dawn of - Oct 04 2023

web through interviews with almost 100 people from different backgrounds dr wachter from the department of medicine at the university of california san francisco explores how digital technology has changed the practice of medicine in the u s

the digital doctor hope hype and harm at the dawn of - Sep 22 2022

web the digital doctor hope hype and harm at the dawn of medicine s computer age by wachter robert m author publication date 2015 topics medical informatics clinical competence clinical medicine physician patient relations publisher new york mcgraw hill education

the digital doctor hope hype and harm at the dawn of - Oct 24 2022

web the digital doctor hope hype and harm at the dawn of medicine s computer age by chapter 23 meaningful use experience hath shewn that even under the best forms of government those entrusted with power have in time and by slow operations perverted it into tyranny thomas jefferson 1778

the digital doctor hope hype and harm at the dawn of - Jul 21 2022

web the implementation of cdss into everyday care is thus considered a major step forward by some 1 and a major challenge to health care and the medical profession by others 8 9 10

the digital doctor hope hype and harm at the dawn of - Nov 24 2022

web may 16 2015 the digital doctor hope hype and harm at the dawn of medicine s computer age business books wachter robert amazon co uk books

the digital doctor hope hype and harm at the dawn of - May 19 2022

web the digital doctor hope hype and harm at the dawn of medicine s computer age robert wachter google books the new york times science bestseller from robert wachter modern healthcare s 1 most influential physician executive in the us while modern medicine produces miracles it also delivers care that is too often unsafe

the digital doctor hope hype and harm at the dawn of - Mar 29 2023

web the digital doctor hope hype and harm at the dawn of medicine s computer age ebook written by robert wachter read this book using google play books app on your pc android ios devices download for offline reading highlight bookmark or take notes while you read the digital doctor hope hype and harm at the dawn of medicine s

the digital doctor hope hype and harm at the dawn of - Jun 19 2022

web apr 21 2019 book title the digital doctor hope hype and harm at the dawn of medicine s computer age url the book is about how health it has fallen short despite of the us government s 30 billion investment in ehr the author worked at the department of medicine at the university of california san francisco ehr changes the doctor patient

the digital doctor hope hype and harm at the dawn of - Apr 17 2022

web apr 10 2015 written with a rare combination of compelling stories and hard hitting analysis by one of the nation s most thoughtful physicians the digital doctor examines healthcare at the dawn of its computer age

the digital doctor hope hype and harm at the dawn of - Feb 13 2022

web written with a rare combination of compelling stories and hard hitting analysis by one of the nation s most thoughtful physicians the digital doctor examines healthcare at the dawn of its computer age

[the digital doctor hope hype and harm at the dawn of](#) - Dec 26 2022

web wachter examines healthcare at the dawn of its computer age and shows how technology is changing care at the bedside he questions whether government intervention has been useful or destructive and does so with clarity insight humor and compassion p

the digital doctor hope hype and harm at the dawn of - Mar 17 2022

web mar 27 2015 the digital doctor examines health care at the dawn of its computer age it tackles the hard questions from how technology is changing care at the bedside to whether government intervention has been useful or destructive and it does so with clarity insight humor and compassion

the digital doctor hope hype and harm at the dawn of - Jan 27 2023

web book description table of contents book description the new york times science bestseller from robert wachter modern healthcare s 1 most influential physician executive in the us while modern medicine produces miracles it also delivers care that is too often unsafe unreliable unsatisfying and impossibly expensive

the digital doctor hope hype and harm at the dawn of - Aug 02 2023

web mar 31 2017 the digital doctor hope hype and harm at the dawn of medicine s computer age 9781260019605 medicine health science books amazon com books new used rental textbooks medicine health sciences enjoy fast free delivery exclusive deals and award winning movies tv shows with prime

[notes the digital doctor hope hype and harm at the dawn of](#) - Feb 25 2023

web get full access to the digital doctor hope hype and harm at the dawn of medicine s computer age and 60k other titles with a free 10 day trial of o reilly there are also live events courses curated by job role and more

the digital doctor hope hype and harm at the dawn of psnet - Aug 22 2022

web apr 1 2015 artificial intelligence in health care the hope the hype the promise the peril december 1 2019 advances in human factors and ergonomics in healthcare and medical devices

the digital doctor hope hype and harm at the dawn of - Jul 01 2023

web apr 10 2015 written with a rare combination of compelling stories and hard hitting analysis by one of the nation s most thoughtful physicians the digital doctor examines healthcare at the dawn of its

operator manual john deere 12 5 l marine diesel engine - Aug 09 2022

web operator manual john deere 12 5 l marine diesel engine 6125afm75 and 6125sfm75 omrg35863 download download after paymentlifetime pdf and access to download by request compatible with windows mac ios android and other

systemssearchable text and built in index for instant information searchbookmarksprintable

powertech 6105 6125 diesel engines electronic fuel systems - Dec 13 2022

web illustrated factory component technical manual for john deere powertech 10 5 l 12 5 l diesel engines level 6 electronic fuel systems with lucas euis this manual contains high quality images circuit diagrams instructions to help you to operate maintenance diagnostic and repair your truck

john deere 6125 service manual repair manual pdf download - Jun 07 2022

web this john deere 6125 engine powertech parts catalog manual pdf download provides detailed illustrations parts name parts number and step by step instructions for assembly and disassembly it is compatible with all windows and mac operating systems and can be printed for unlimited copies

powertech 6105hf technical manual pdf download manualslib - Aug 21 2023

web view and download powertech 6105hf technical manual online 6105hf engine pdf manual download also for 6105adw 6125 tier ii 6125hf 6105hrw add john deere engine break in oil as needed to brought back to original performance standards through proper overhaul procedure and replacement of parts with genuine john deere

john deere 6125 oem engines service and repair manual - May 18 2023

web john deere 6125 oem engines service and repair manual 69 99 john deere manuals for your construction machinery will help you with maintenance and service on daily basis

ctm100 john deere powertech 10 5l 6105 12 5l 6125 - Apr 17 2023

web product code 01924 no reviews for this product add to compare list into favorits illustrated factory component technical manual for powertech 10 5 l 12 5 l diesel base engine john deere this manual contains high quality images diagrams instructions to help you to operate maintenance diagnostic and repair your truck

manuals and training parts service john deere us - Mar 16 2023

web ag turf engine operator manuals publications download view and purchase operator and technical manuals and parts catalogs for your john deere equipment download and purchase manuals and publications online find a parts catalog view operator manual engine maintenance information

john deere 12 5l 6125 engines sn 030000 parts catalog manual - Oct 11 2022

web this john deere 12 5l 6125 engines sn 030000 parts catalog manual pc9405 contains detailed repair instructions and maintenance specifications to facilitate your repair and troubleshooting

john deere pdf engines diesel engine scribd - Nov 12 2022

web manual powertech10 5l 12 5l 6105 and 6125 oem omrg25752 june 1997 0026 108 operators manual powertech oem 0 9 1 1 1 2 1 5 2 0l 3009 3011 3012 3015 4020 omrg26439 march 2004 0027 94 operation and service manual powertech 6 8 l

6068 compressed natural gas omrg27896 september 1998 0028 164 operators manual

john deere powertech 12 5l diesel base engine service repair - Sep 22 2023

web feb 26 2020 1 inspect rocker arm cover gasket to ensure that gasket is properly seated in groove and that contact face is clean 2 position rocker arm cover onto two locating dowels in cylinder head 3

ctm188 john deere technical manuals store - Mar 04 2022

web this manual contains high quality images circuit diagrams instructions to help you to operate maintenance diagnostic and repair your truck this document is printable without restrictions contains searchable text bookmarks crosslinks for easy navigation language english format pdf 685 pages covered models

ctm125 john deere technical manuals store - Jan 14 2023

web 3029 models 3029 illustrated factory component technical service manual for powertech 2 9l diesel engines john deere diesel oem engines this manual contains high quality images circuit diagrams instructions to help you to operate maintenance diagnostic and repair deere technical manuals

john deere powertech diesel enginetechnical manual equipment service - Jun 19 2023

web essential tools required in performing certain service work are identified in this manual and are recommended for use this manual ctm100 covers only the base engine it is one of three volumes on 10 5 l and 12 5 l engines the following two companion manuals cover electronic fuel system repair operation and diagnostics

john deere 6125af001 engine powertech parts catalog manual - Apr 05 2022

web this john deere 6125af001 engine powertech parts catalog manual pdf download provides detailed illustrations parts name parts number and instructions for assembly or disassembly it is compatible with all windows and mac versions and can be printed for unlimited copies

john deere 6125afm75 engine powertech parts manual service manual - May 06 2022

web this john deere 6125afm75 engine powertech parts manual pdf download provides detailed illustrations parts name and parts number it is a great resource for assembly or disassembly tasks or to learn machine structure it is compatible with all windows and mac versions and can be printed unlimited times download link is provided after

john deere 6105 6125 diesel engine technical manual - Sep 10 2022

web john deere 6105 6125 diesel engine technical manual pdf download this manual is written for an experienced technician essential tools required in performing certain service work are identified in this manual and are recommended for use this manual ctm100 covers only the base engine it is one of three volumes on 10 5 l and

john deere 6125r manual by ayradoran14 issuu - Jul 08 2022

web published on jan 26 2022 ayradoran14 about john deere 6125r manual john deere tractors 6105r 6115r 6125r 6130r

worldwide service repair technical manual tm404519 complete

tm405719 john deere technical manuals store - Jul 20 2023

web illustrated factory diagnosis and tests service manual for john deere 2wd or mfwd tractors 6105m 6115m 6125m 6130m 6140m 6150m and 6170m worldwide this manual contains high quality images circuit diagrams diagnostic procedures to help you to diagnostic troubleshoot and repair your truck

john deere and powertech engines diagnostic repair technical - Oct 23 2023

web illustrated factory component technical manual for powertech 10 5l and 12 5l 6105 and 6125 diesel engines john deere diesel oem engines with lucas engine controllers level 6 electronic fuel system operation diagnostic and repair this manual contains high quality images circuit diagrams instructions to help you to operate maintenance

john deere powertech 10 5l 6105 12 5l 6125 oem diesel service manual - Feb 15 2023

web this john deere powertech 10 5l 6105 12 5l 6125 oem diesel engines omrg25752 operation and maintenance manual pdf download provides all the details necessary about operating and maintenance procedure it is compatible with all windows and mac versions and can be printed unlimited times download link will be provided after payment