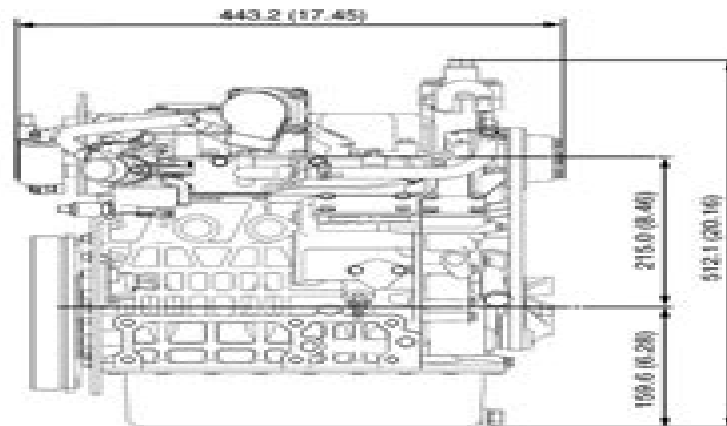
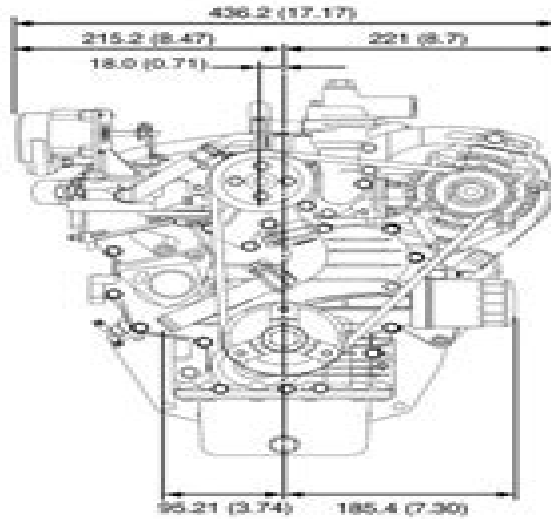


WG972, DF972 (Electronic Governor Model)

Unit : mm (in.)



3ESAAABFP002A

9Y121-03180K10013000

Kubota Df972 Engine Manual

Hill diesel engine company



Kubota Df972 Engine Manual:

Operator's Manual Kubota Kabushiki Kaisha, **Diesel Engine Manual** Perry O. Black, William E. Scahill, 1983

Kubota Shop Manual Penton Staff, 2000-05-24 Models L175 L210 L225 L225DT L260 Models B5100D B5100E B6100D B6100E B6100HST D B6100HST E B7100D B7100HST D B7100HST E Models L185 L235 L245 L275 L285 L295 L305 L345 L355 Diesel Engine Manual ... Edward Molloy, 1955 Workshop Manual for 4,270 Diesel Engines Perkins Engines Limited. Service Division, 196? **Three, Four and Six Cylinder Series 71 Two-cycle Diesel Engines Maintenance Manual**, 1947 *Operator's Manual*, 1990 **Maintenance Manual for Models 6-498, 12-498, 8-498, 16-498** General Motors Corporation. Cleveland Diesel Engine Division, 1960 *4 Cycle Engine Manual* Sears, 1977 **Chilton's Truck Repair Manual** Chilton Book Company. Automotive Editorial Department, 1974 *The Oil Engine Manual* P.P. - London. - Oil Engine, 1950 *Operator's Instruction Manual and Repair Parts List, Series "R" Engines* Hill diesel engine company, **Maintenance Manual for General Motors Diesel Engines** General Motors Corporation. Cleveland Diesel Engine Division, 1955

When people should go to the books stores, search introduction by shop, shelf by shelf, it is essentially problematic. This is why we provide the books compilations in this website. It will utterly ease you to see guide **Kubota Df972 Engine Manual** as you such as.

By searching the title, publisher, or authors of guide you truly want, you can discover them rapidly. In the house, workplace, or perhaps in your method can be every best place within net connections. If you wish to download and install the Kubota Df972 Engine Manual, it is certainly simple then, before currently we extend the partner to buy and make bargains to download and install Kubota Df972 Engine Manual thus simple!

<http://www.armchairempire.com/book/detail/HomePages/manual%20toyota%20motor%202022r.pdf>

Table of Contents Kubota Df972 Engine Manual

1. Understanding the eBook Kubota Df972 Engine Manual
 - The Rise of Digital Reading Kubota Df972 Engine Manual
 - Advantages of eBooks Over Traditional Books
2. Identifying Kubota Df972 Engine Manual
 - Exploring Different Genres
 - Considering Fiction vs. Non-Fiction
 - Determining Your Reading Goals
3. Choosing the Right eBook Platform
 - Popular eBook Platforms
 - Features to Look for in an Kubota Df972 Engine Manual
 - User-Friendly Interface
4. Exploring eBook Recommendations from Kubota Df972 Engine Manual
 - Personalized Recommendations
 - Kubota Df972 Engine Manual User Reviews and Ratings
 - Kubota Df972 Engine Manual and Bestseller Lists

5. Accessing Kubota Df972 Engine Manual Free and Paid eBooks
 - Kubota Df972 Engine Manual Public Domain eBooks
 - Kubota Df972 Engine Manual eBook Subscription Services
 - Kubota Df972 Engine Manual Budget-Friendly Options
6. Navigating Kubota Df972 Engine Manual eBook Formats
 - ePub, PDF, MOBI, and More
 - Kubota Df972 Engine Manual Compatibility with Devices
 - Kubota Df972 Engine Manual Enhanced eBook Features
7. Enhancing Your Reading Experience
 - Adjustable Fonts and Text Sizes of Kubota Df972 Engine Manual
 - Highlighting and Note-Taking Kubota Df972 Engine Manual
 - Interactive Elements Kubota Df972 Engine Manual
8. Staying Engaged with Kubota Df972 Engine Manual
 - Joining Online Reading Communities
 - Participating in Virtual Book Clubs
 - Following Authors and Publishers Kubota Df972 Engine Manual
9. Balancing eBooks and Physical Books Kubota Df972 Engine Manual
 - Benefits of a Digital Library
 - Creating a Diverse Reading Collection Kubota Df972 Engine Manual
10. Overcoming Reading Challenges
 - Dealing with Digital Eye Strain
 - Minimizing Distractions
 - Managing Screen Time
11. Cultivating a Reading Routine Kubota Df972 Engine Manual
 - Setting Reading Goals Kubota Df972 Engine Manual
 - Carving Out Dedicated Reading Time
12. Sourcing Reliable Information of Kubota Df972 Engine Manual
 - Fact-Checking eBook Content of Kubota Df972 Engine Manual
 - Distinguishing Credible Sources
13. Promoting Lifelong Learning

- Utilizing eBooks for Skill Development
 - Exploring Educational eBooks
14. Embracing eBook Trends
- Integration of Multimedia Elements
 - Interactive and Gamified eBooks

Kubota Df972 Engine Manual Introduction

In today's digital age, the availability of Kubota Df972 Engine Manual books and manuals for download has revolutionized the way we access information. Gone are the days of physically flipping through pages and carrying heavy textbooks or manuals. With just a few clicks, we can now access a wealth of knowledge from the comfort of our own homes or on the go. This article will explore the advantages of Kubota Df972 Engine Manual books and manuals for download, along with some popular platforms that offer these resources. One of the significant advantages of Kubota Df972 Engine Manual books and manuals for download is the cost-saving aspect. Traditional books and manuals can be costly, especially if you need to purchase several of them for educational or professional purposes. By accessing Kubota Df972 Engine Manual versions, you eliminate the need to spend money on physical copies. This not only saves you money but also reduces the environmental impact associated with book production and transportation. Furthermore, Kubota Df972 Engine Manual books and manuals for download are incredibly convenient. With just a computer or smartphone and an internet connection, you can access a vast library of resources on any subject imaginable. Whether you're a student looking for textbooks, a professional seeking industry-specific manuals, or someone interested in self-improvement, these digital resources provide an efficient and accessible means of acquiring knowledge. Moreover, PDF books and manuals offer a range of benefits compared to other digital formats. PDF files are designed to retain their formatting regardless of the device used to open them. This ensures that the content appears exactly as intended by the author, with no loss of formatting or missing graphics. Additionally, PDF files can be easily annotated, bookmarked, and searched for specific terms, making them highly practical for studying or referencing. When it comes to accessing Kubota Df972 Engine Manual books and manuals, several platforms offer an extensive collection of resources. One such platform is Project Gutenberg, a nonprofit organization that provides over 60,000 free eBooks. These books are primarily in the public domain, meaning they can be freely distributed and downloaded. Project Gutenberg offers a wide range of classic literature, making it an excellent resource for literature enthusiasts. Another popular platform for Kubota Df972 Engine Manual books and manuals is Open Library. Open Library is an initiative of the Internet Archive, a non-profit organization dedicated to digitizing cultural artifacts and making them accessible to the public. Open Library hosts millions of books, including both public domain works and contemporary titles. It also allows users to

borrow digital copies of certain books for a limited period, similar to a library lending system. Additionally, many universities and educational institutions have their own digital libraries that provide free access to PDF books and manuals. These libraries often offer academic texts, research papers, and technical manuals, making them invaluable resources for students and researchers. Some notable examples include MIT OpenCourseWare, which offers free access to course materials from the Massachusetts Institute of Technology, and the Digital Public Library of America, which provides a vast collection of digitized books and historical documents. In conclusion, Kubota Df972 Engine Manual books and manuals for download have transformed the way we access information. They provide a cost-effective and convenient means of acquiring knowledge, offering the ability to access a vast library of resources at our fingertips. With platforms like Project Gutenberg, Open Library, and various digital libraries offered by educational institutions, we have access to an ever-expanding collection of books and manuals. Whether for educational, professional, or personal purposes, these digital resources serve as valuable tools for continuous learning and self-improvement. So why not take advantage of the vast world of Kubota Df972 Engine Manual books and manuals for download and embark on your journey of knowledge?

FAQs About Kubota Df972 Engine Manual Books

1. Where can I buy Kubota Df972 Engine Manual books? Bookstores: Physical bookstores like Barnes & Noble, Waterstones, and independent local stores. Online Retailers: Amazon, Book Depository, and various online bookstores offer a wide range of books in physical and digital formats.
2. What are the different book formats available? Hardcover: Sturdy and durable, usually more expensive. Paperback: Cheaper, lighter, and more portable than hardcovers. E-books: Digital books available for e-readers like Kindle or software like Apple Books, Kindle, and Google Play Books.
3. How do I choose a Kubota Df972 Engine Manual book to read? Genres: Consider the genre you enjoy (fiction, non-fiction, mystery, sci-fi, etc.). Recommendations: Ask friends, join book clubs, or explore online reviews and recommendations. Author: If you like a particular author, you might enjoy more of their work.
4. How do I take care of Kubota Df972 Engine Manual books? Storage: Keep them away from direct sunlight and in a dry environment. Handling: Avoid folding pages, use bookmarks, and handle them with clean hands. Cleaning: Gently dust the covers and pages occasionally.
5. Can I borrow books without buying them? Public Libraries: Local libraries offer a wide range of books for borrowing. Book Swaps: Community book exchanges or online platforms where people exchange books.

6. How can I track my reading progress or manage my book collection? Book Tracking Apps: Goodreads, LibraryThing, and Book Catalogue are popular apps for tracking your reading progress and managing book collections. Spreadsheets: You can create your own spreadsheet to track books read, ratings, and other details.
7. What are Kubota Df972 Engine Manual audiobooks, and where can I find them? Audiobooks: Audio recordings of books, perfect for listening while commuting or multitasking. Platforms: Audible, LibriVox, and Google Play Books offer a wide selection of audiobooks.
8. How do I support authors or the book industry? Buy Books: Purchase books from authors or independent bookstores. Reviews: Leave reviews on platforms like Goodreads or Amazon. Promotion: Share your favorite books on social media or recommend them to friends.
9. Are there book clubs or reading communities I can join? Local Clubs: Check for local book clubs in libraries or community centers. Online Communities: Platforms like Goodreads have virtual book clubs and discussion groups.
10. Can I read Kubota Df972 Engine Manual books for free? Public Domain Books: Many classic books are available for free as they're in the public domain. Free E-books: Some websites offer free e-books legally, like Project Gutenberg or Open Library.

Find Kubota Df972 Engine Manual :

manual toyota motor 22r

manuale impianto elettrico opel corsa

~~*manuale opel zafira ecom*~~

manual testing rex black

manual til citroen evasion

manual tomtom start gps

manual testing interview questions and answers for 5 years experience

~~*manual training system crossword help*~~

manual tractor zetor 8145

~~*manual volkswagen lt 35 2 5 tdi*~~

manual xl600 trane thermostat

manual toyota verso car

manuale fusibili opel corsa c

[manual tractores fiat 7610](#)

[manually activate droid](#)

Kubota Df972 Engine Manual :

31 real product launch announcement email examples automizy - Dec 29 2021

web get inspired for your new product launch announcement email campaign by these 31 email templates and 44 subject line examples brought to you by automizy an email marketing software designed to increase your email open rates

new website announcement email tips templates examples - Jun 03 2022

web dec 16 2022 a new website announcement email is an essential part of your overall website launch strategy and it shouldn't be neglected with social media you

announcement website templates themeforest - Jan 30 2022

web sep 27 2019 get 144 announcement website templates on themeforest such as announce 4x responsive email online builder innovative product tour html email template holiday mail

how to write a new website announcement email examples - Aug 17 2023

web after you've updated your existing site it's time to announce your new and improved website to your customers learn how to craft the perfect new website announcement email with our help

5 new website announcement email templates and tips - Jan 10 2023

web feb 22 2023 5 new website announcement email templates and tips 20 must have email templates for web developers product specific send an emailing creating beautiful professional campaigns till engage your audience liked a expert manage your audience grow our audience press your general with ordinary marketing processors

email announcements business announcement emails examples templates - Apr 13 2023

web new business announcement email template whether you want to incorporate graphic designs into your email or keep things simple with text only the following template is a great sample that you can adjust to your needs

9 free announcement email template examples to get noticed - Mar 12 2023

web 9 free announcement email template examples to get noticed categories design 9 free announcement email template examples that grab attention 11 july 2022 by sydney triggs 26 min jump to 1 0 what is the goal of an announcement email 2 0 1 new podcast episode announcement example 3 0 2 new style announcement example 4 0 3

new website announcement email templates templatemonster - Feb 28 2022

web consider the very best goods from templatemonster's group of new website announcement email templates ensure great efficiency and stylish visual appeal for your online business with our selection of premium design templates

new website announcement letter 4 templates writolay - Feb 11 2023

web october 7 2020 by rahul panchal this letter structure will make your task easier for you to announce the launching of a new website you need to inform how it is going to enrich the lives of you as business owners partners and employees and lastly the customers you must bring out your enthusiasm in writing about how you will actually get

7 ideas for announcing your new redesigned website in 2022 - May 02 2022

web jan 12 2023 1 post on social media social media is a mostly free resource as well as an integral part of a robust communications strategy for any business in the two to three weeks ahead of your website launch build anticipation with a series of posts for your instagram facebook twitter and other social media accounts

how to write an announcement email tips examples sender - Dec 09 2022

web jun 6 2022 announcement email templates here are five examples of different email templates you can reference when drafting your announcement emails new business announcement email new business announcement emails allow you to reach out to your existing customer base quickly instead of going live on media sources such as tv ads

how to write a new website announcement email examples - Jun 15 2023

web jul 11 2022 5 examples of incredible new website launch announcement emails are you ready to see what a great example looks like this selection of email examples will help spark some ideas and get you started with your own new site announcement

how to write a new website announcement email 9 examples - May 14 2023

web may 5 2023 stacey corrin you re adding the finishing touches to your shiny new website and it s almost time to share it with the rest of the world but there s one small problem how on earth do you tell people about your new site when it s not even finished

free announcement email templates unlayer - Oct 07 2022

web browse beautiful responsive html templates for announcement choose your favourite ones and customize them with drag drop no coding skills required veterans day holiday announcement email template for business black history month march announcement email template for non profit art day tour of artists

how to write an email announcement with 5 examples - Jul 04 2022

web mar 10 2023 1 start with an introduction begin your email by introducing the announcement it is also important to state your company name or include your logo in the email this allows readers to know who is making the announcement and what it is

how to write compelling announcement email with examples - Aug 05 2022

web apr 13 2023 what is an announcement email types of announcement emails how to write an announcement email 1

customer research 2 establish an emotional appeal 3 craft a catchy subject line 4 create content focused on value 5 include visuals 6 add a call to action best 7 announcement email examples to get inspiration from in 2023 1

[5 new website announcement email templates and tips - Jul 16 2023](#)

web may 31 2023 [template 1 new website announcement email introducing a fantastic new website for target audience or niche group announcement our team is delighted to announce that our new name website has been launched thanks to the amazing people or web design team behind the effort](#)

20 announcement email examples to hype your product launch - Sep 06 2022

web may 24 2023 [an announcement email is a marketing message sent to tell people about something new updated or changed in your business they are used to publicize things like a new product release a limited edition launch a pre order opportunity a special event promotional announcement emails aren t only to let people know you have a new](#)

[how to make a splash with a new website announcement sample email - Apr 01 2022](#)

web jan 12 2020 [your new website announcement should be as creative as your new website is see our sample announcement ways to announce publish a blog post send an email ask staff to change their email signature create an announcement video announce on social media with screenshots or other graphics videos](#)

new website launch email template cliently - Nov 08 2022

web new website launch email template start free trial step email subject product is now available here s how you can get it hi prospect s name it is exciting to announce the launch of product describe the features of the product or service in

pdf drosophila genetics lab report academia edu - Feb 12 2023

web this was one of two mandatory lab reports for the biology 101 lab class this section was taught by professor levina examining drosophila genetics in the f1 skip to document

[drosophila genetics lab report 1581 words internet public - Nov 28 2021](#)

an introduction to fruit flies the berg lab uw - Dec 10 2022

web dec 8 2021 [we have screened a collection of uas rna lines targeting 10 920 drosophila protein coding genes for phenotypes in the adult wing we identified 3653](#)

ap biology genetics of drosophila lab report pdf scribd - Jul 05 2022

web sep 26 2023 [flybase has assembled the first draft of a fly lab list that aims to include all active labs undertaking a substantial fraction of their research using drosophila jun](#)

pdf drosophila genetics lab report sam mill - Apr 14 2023

web here we report that the silkworm w 2 locus encodes an ortholog of drosophila scarlet our results indicate that bombyx

scarlet forms a heterodimer with bombyx white to transport

day one introduction to drosophila california state - Jan 11 2023

web drosophila final lab report troy university introduction over the course of history many essential discoveries have been made which have significantly contributed to the

drosophila melanogaster lab report an analysis of - Jul 17 2023

web the eye color of drosophila melanogaster is a commonly used trait in genetics research eye color can be used as a genetic marker to study inheritance patterns and gene

report drosophila pdf offspring genetics scribd - Dec 30 2021

web oct 25 2019 abstract this lab report aims at crossing various traits of the drosophila melanogaster to observe phenotypes of offspring the researcher intends to compare

genetics lab report 2 drosophila april 11 2023 pcb3063 - Jun 16 2023

web nov 11 2015 for example the activity of some retrotransposon families het a tart and tahre maintains telomere length george et al 2006 a feature unique to drosophila

mutations of drosophila lab report example studentshare - Jan 31 2022

web teachers now have the option to allow the students to use an auto count system to count up to 10 000 flies in seconds allowing longer experiments such as those including the

flybase homepage - Apr 02 2022

web report drosophila pdf offspring genetics report drosophila free download as word doc doc pdf file pdf text file txt or read online for free scribd is the

amelia houlihan drosophila lab report examining drosophila - Nov 09 2022

web the virtual fly laboratory uses a computer program that simulates the results of drosophila melanogaster crosses for 29 common morphological variants bristles eye

drosophila lab report genes chromosomes and populations - Mar 13 2023

web sep 1 2004 drosophila can be used in genetic crosses to demonstrate mendelian inheritance as well as the unusual inheritance of genes located on the x chromosome

lab report drosophila melanogaster pdf slideshare - Jun 04 2022

web drosophila melanogaster are preferred over vertebrate models as a research tool in genetic studies due to its basic food requirements its ability to produce large numbers of

genome wide phenotypic rnai screen in the drosophila wing - Sep 07 2022

web oct 4 2010 lab report drosophila melanogaster download as a pdf or view online for free

biology 2250 laboratory 3 2011 the virtual fly memorial - Aug 06 2022

web biology 2250 laboratory 4 2011 dna extraction of drosophila melanogaster and analysis of human karyotypes exercise 1
extracting dna from drosophila fruit flies a common

drosophila ii lab report analyzing drosophila genetics in the - Aug 18 2023

web mar 24 2000 within the lab drosophila is used due to its short life span and its ability to reveal information regarding
both genetic variation and general genetics to those

genetics of drosophila melanogaster lab report studocu - Sep 19 2023

web two alleles of wild type fly and ebony fly and examine the inheritance of their body color the cross phenotype and
genotype of the parents for the first generation f1 genotype 5

biology 2250 laboratory 4 2011 memorial university - May 03 2022

web drosophila crosses report introduction this experiment was based on the study and analysis of drosophila the common
fruit fly as a model organism for genetic studies

genetics lab 4 lab report running head drosophila - Oct 08 2022

web in this virtual fruit fly genetics lab fruit flies will be used in addition with the punnett square chi square analysis and
other basic knowledge it will be easy to simulate basic

mendelian genetics of drosophila lab report uk essays - Mar 01 2022

web drosophila genetics lab report 1581 words 7 pages abstract the purpose of this lab is to choose a complex set of traits of
drosophila melanogaster and breed them to

drosophila lab report eddusaver - Sep 26 2021**genetics on the fly a primer on the drosophila model system** - May 15 2023

web drosophila lab report genes chromosomes and populations university of otago studocu lab report mendelian drosophila
practical test yeji irene shin 2789392

drosophila genetics lab newbyte educational software - Oct 28 2021*glücklich der mensch geschichten und bilder aus dem leben* - May 12 2023

web jun 7 2023 glücklich der mensch geschichten und bilder aus dem leben des franz von assisi by titus müller psychologie
zehn dinge die sie schnell glücklich machen

glücklich der mensch geschichten und bilder aus dem leben - Aug 15 2023

web glücklich der mensch mit diesen worten beginnt franz von assisi einen seiner texte die sogenannten seligpreisungen er

war arm er war krank er hatte nicht mehr viel zu

glücklich der mensch geschichten und bilder aus d pdf pdf - Sep 04 2022

web jun 25 2023 glücklich der mensch geschichten und bilder aus d pdf as recognized adventure as with ease as experience about lesson amusement as without difficulty as

glücklich der mensch geschichten und bilder aus d pdf pdf - Feb 26 2022

web glücklich der mensch geschichten und bilder aus d pdf upload suny i boyle 2 5 downloaded from voto uncal edu br on august 31 2023 by suny i boyle vollständiges oeconomisch und physicalisches lexicon so wohl vor grosse herren als privat personen worinnen alles enthalten was zum

glücklich der mensch geschichten und bilder aus dem leben - Jul 14 2023

web feb 24 2014 titus müller erzählt in seinem neuen buch die geschichte einer leidenschaftlichen gottessuche und einer großen liebe zu den menschen und der

glücklich der mensch geschichten und bilder aus d pdf - Mar 30 2022

web glücklich der mensch geschichten und bilder aus d pdf right here we have countless books glücklich der mensch geschichten und bilder aus d pdf and collections to

glücklich der mensch geschichten und bilder aus d pdf book - Jun 13 2023

web jul 2 2023 glücklich der mensch geschichten und bilder aus d pdf this is likewise one of the factors by obtaining the soft documents of this glücklich der mensch

glücklich der mensch geschichten und bilder aus d pdf copy - Jan 28 2022

web introduction glücklich der mensch geschichten und bilder aus d pdf copy christliches uebungsjahr oder geschichte des menschen wie ihn die religion mittelst

glücklich der mensch geschichten und bilder aus d full pdf - Dec 07 2022

web download and install glücklich der mensch geschichten und bilder aus d as a result simple geschichte des lebens der lehren und schriften calvin s 1844 zeitschrift für französischen und englischen unterricht 1927 preussens geschichte in wort und bild herausg von f schmidt f otto ferdinand schmidt 1882

glücklich der mensch geschichten und bilder aus d peter - Nov 06 2022

web of this glücklich der mensch geschichten und bilder aus d by online you might not require more times to spend to go to the book initiation as well as search for them in

glücklich der mensch geschichten und bilder aus d pdf free - Apr 30 2022

web online pdf related to glücklich der mensch geschichten und bilder aus d get access glücklich der mensch geschichten und bilder aus dpdf and download

glücklich der mensch geschichten und bilder aus d pdf - Apr 11 2023

web may 7 2023 glücklich der mensch geschichten und bilder aus d 2 6 downloaded from uniport edu ng on may 7 2023 by guest preussens geschichte in wort und bild bd

glücklich der mensch geschichten und bilder aus d 2023 - Aug 03 2022

web glücklich der mensch geschichten und bilder aus d this is likewise one of the factors by obtaining the soft documents of this glücklich der mensch geschichten und bilder aus d by online you might not require more times to spend to go to the ebook opening as skillfully as search for them in some cases you likewise get not discover the

glücklich der mensch geschichten und bilder aus d pdf full pdf - Mar 10 2023

web this online message glücklich der mensch geschichten und bilder aus d pdf can be one of the options to accompany you bearing in mind having further time it will not waste

glücklich der mensch geschichten und bilder aus d pdf book - Oct 05 2022

web glücklich der mensch geschichten und bilder aus d pdf is available in our book collection an online access to it is set as public so you can get it instantly our books

glücklich der mensch geschichten und bilder aus d monograf - Nov 25 2021

web 2 glücklich der mensch geschichten und bilder aus d 2019 07 20 und wird doch erst am ende wieder glücklich nach dem er einige abenteuer des modernen menschen in

die glorreichen 10 zdfmediathek - Sep 23 2021

web jun 3 2018 mit dabei klassiker wie frankenstein die schauergeschichte die mary shelley 1816 schrieb wurde zu einem der berühmtesten horror romane aller zeiten

glücklich der mensch geschichten und bilder aus d pdf - Oct 25 2021

web jun 26 2023 glücklich der mensch geschichten und bilder aus d pdf eventually you will enormously discover a supplementary experience and deed by spending more cash yet when get you allow that you require to get those all needs in the manner of having it is your no question own mature to play act reviewing habit in the midst of guides you could

glücklich der mensch geschichten und bilder aus dem leben - Jul 02 2022

web aug 23 2023 may 28th 2020 glücklich der mensch geschichten und bilder aus dem leben des franz von assisi glücklich der mensch der seinen nächsten trägt in seiner

glücklich der mensch geschichten und bilder aus d pdf 2023 - Jun 01 2022

web jun 26 2023 glücklich der mensch geschichten und bilder aus d pdf eventually you will utterly discover a other experience and expertise by spending more cash nevertheless when accomplish you recognize that you require to acquire those every needs gone having significantly cash why dont you try to acquire something basic in the beginning thats

glücklich der mensch geschichten und bilder aus d pdf - Jan 08 2023

web may 18 2023 this one merely said the glücklich der mensch geschichten und bilder aus d is universally compatible gone any devices to read glücklich der mensch titus

glücklich der mensch geschichten und bilder aus d - Dec 27 2021

web feb 28 2023 glücklich der mensch geschichten und bilder aus d if you ally craving such a referred glücklich der mensch geschichten und bilder aus d ebook that will manage to pay for you worth acquire the no question best seller from us currently from several preferred authors if you desire to comical books lots of novels tale jokes and

glücklich der mensch geschichten und bilder aus d pdf free - Feb 09 2023

web online pdf related to glücklich der mensch geschichten und bilder aus d get access glücklich der mensch geschichten und bilder aus d pdf and download glücklich der mensch geschichten und bilder aus d pdf for free