

SEARS

Owner's Manual
Manual de Instrucciones
Manuel d'instructions

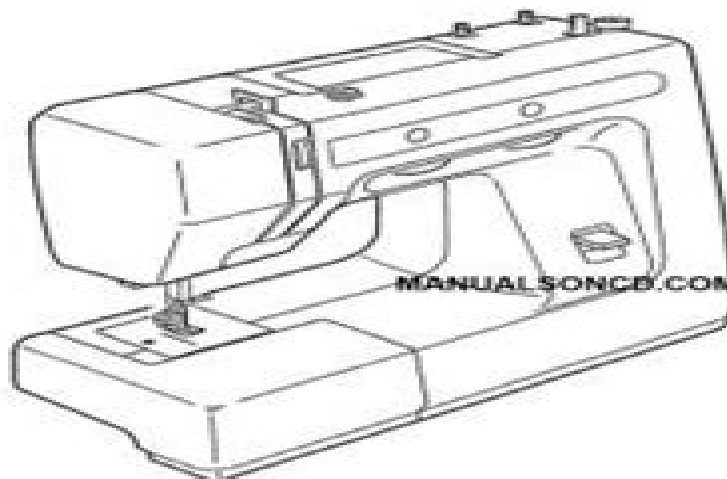


SEWING MACHINE
MAQUINA DE COSER
MACHINE À COUDRE

Model
Modelo
Modèle



385.12618890



CAUTION:

Before using this sewing machine, read this manual and follow all Safety Rules and Operating Instructions.

- Safety Instructions
- Warranty
- Specifications
- Operation
- Care and Maintenance
- Troubleshooting

Sears, Roebuck and Co., Hoffman Estates, IL 60179 U.S.A.

Kenmore Sewing Machines Manuals

Margaret Singer



Kenmore Sewing Machines Manuals:

Recognizing the artifice ways to acquire this books **Kenmore Sewing Machines Manuals** is additionally useful. You have remained in right site to begin getting this info. get the Kenmore Sewing Machines Manuals join that we have enough money here and check out the link.

You could buy guide Kenmore Sewing Machines Manuals or acquire it as soon as feasible. You could speedily download this Kenmore Sewing Machines Manuals after getting deal. So, subsequent to you require the books swiftly, you can straight get it. Its for that reason unconditionally simple and so fats, isnt it? You have to favor to in this impression

<http://www.armchairempire.com/data/virtual-library/index.jsp/King%20James%20Version%20Bible%20Commentary.pdf>

Table of Contents Kenmore Sewing Machines Manuals

1. Understanding the eBook Kenmore Sewing Machines Manuals
 - The Rise of Digital Reading Kenmore Sewing Machines Manuals
 - Advantages of eBooks Over Traditional Books
2. Identifying Kenmore Sewing Machines Manuals
 - Exploring Different Genres
 - Considering Fiction vs. Non-Fiction
 - Determining Your Reading Goals
3. Choosing the Right eBook Platform
 - Popular eBook Platforms
 - Features to Look for in an Kenmore Sewing Machines Manuals
 - User-Friendly Interface
4. Exploring eBook Recommendations from Kenmore Sewing Machines Manuals
 - Personalized Recommendations
 - Kenmore Sewing Machines Manuals User Reviews and Ratings
 - Kenmore Sewing Machines Manuals and Bestseller Lists
5. Accessing Kenmore Sewing Machines Manuals Free and Paid eBooks

- Kenmore Sewing Machines Manuals Public Domain eBooks
 - Kenmore Sewing Machines Manuals eBook Subscription Services
 - Kenmore Sewing Machines Manuals Budget-Friendly Options
6. Navigating Kenmore Sewing Machines Manuals eBook Formats
 - ePub, PDF, MOBI, and More
 - Kenmore Sewing Machines Manuals Compatibility with Devices
 - Kenmore Sewing Machines Manuals Enhanced eBook Features
 7. Enhancing Your Reading Experience
 - Adjustable Fonts and Text Sizes of Kenmore Sewing Machines Manuals
 - Highlighting and Note-Taking Kenmore Sewing Machines Manuals
 - Interactive Elements Kenmore Sewing Machines Manuals
 8. Staying Engaged with Kenmore Sewing Machines Manuals
 - Joining Online Reading Communities
 - Participating in Virtual Book Clubs
 - Following Authors and Publishers Kenmore Sewing Machines Manuals
 9. Balancing eBooks and Physical Books Kenmore Sewing Machines Manuals
 - Benefits of a Digital Library
 - Creating a Diverse Reading Collection Kenmore Sewing Machines Manuals
 10. Overcoming Reading Challenges
 - Dealing with Digital Eye Strain
 - Minimizing Distractions
 - Managing Screen Time
 11. Cultivating a Reading Routine Kenmore Sewing Machines Manuals
 - Setting Reading Goals Kenmore Sewing Machines Manuals
 - Carving Out Dedicated Reading Time
 12. Sourcing Reliable Information of Kenmore Sewing Machines Manuals
 - Fact-Checking eBook Content of Kenmore Sewing Machines Manuals
 - Distinguishing Credible Sources
 13. Promoting Lifelong Learning
 - Utilizing eBooks for Skill Development

- Exploring Educational eBooks
- 14. Embracing eBook Trends
 - Integration of Multimedia Elements
 - Interactive and Gamified eBooks

Kenmore Sewing Machines Manuals Introduction

Kenmore Sewing Machines Manuals Offers over 60,000 free eBooks, including many classics that are in the public domain. Open Library: Provides access to over 1 million free eBooks, including classic literature and contemporary works. Kenmore Sewing Machines Manuals Offers a vast collection of books, some of which are available for free as PDF downloads, particularly older books in the public domain. Kenmore Sewing Machines Manuals : This website hosts a vast collection of scientific articles, books, and textbooks. While it operates in a legal gray area due to copyright issues, its a popular resource for finding various publications. Internet Archive for Kenmore Sewing Machines Manuals : Has an extensive collection of digital content, including books, articles, videos, and more. It has a massive library of free downloadable books. Free-eBooks Kenmore Sewing Machines Manuals Offers a diverse range of free eBooks across various genres. Kenmore Sewing Machines Manuals Focuses mainly on educational books, textbooks, and business books. It offers free PDF downloads for educational purposes. Kenmore Sewing Machines Manuals Provides a large selection of free eBooks in different genres, which are available for download in various formats, including PDF. Finding specific Kenmore Sewing Machines Manuals, especially related to Kenmore Sewing Machines Manuals, might be challenging as theyre often artistic creations rather than practical blueprints. However, you can explore the following steps to search for or create your own Online Searches: Look for websites, forums, or blogs dedicated to Kenmore Sewing Machines Manuals, Sometimes enthusiasts share their designs or concepts in PDF format. Books and Magazines Some Kenmore Sewing Machines Manuals books or magazines might include. Look for these in online stores or libraries. Remember that while Kenmore Sewing Machines Manuals, sharing copyrighted material without permission is not legal. Always ensure youre either creating your own or obtaining them from legitimate sources that allow sharing and downloading. Library Check if your local library offers eBook lending services. Many libraries have digital catalogs where you can borrow Kenmore Sewing Machines Manuals eBooks for free, including popular titles. Online Retailers: Websites like Amazon, Google Books, or Apple Books often sell eBooks. Sometimes, authors or publishers offer promotions or free periods for certain books. Authors Website Occasionally, authors provide excerpts or short stories for free on their websites. While this might not be the Kenmore Sewing Machines Manuals full book , it can give you a taste of the authors writing style. Subscription Services Platforms like Kindle Unlimited or Scribd offer subscription-based access to a wide range of Kenmore Sewing Machines Manuals eBooks, including some popular titles.

FAQs About Kenmore Sewing Machines Manuals Books

1. Where can I buy Kenmore Sewing Machines Manuals books? Bookstores: Physical bookstores like Barnes & Noble, Waterstones, and independent local stores. Online Retailers: Amazon, Book Depository, and various online bookstores offer a wide range of books in physical and digital formats.
2. What are the different book formats available? Hardcover: Sturdy and durable, usually more expensive. Paperback: Cheaper, lighter, and more portable than hardcovers. E-books: Digital books available for e-readers like Kindle or software like Apple Books, Kindle, and Google Play Books.
3. How do I choose a Kenmore Sewing Machines Manuals book to read? Genres: Consider the genre you enjoy (fiction, non-fiction, mystery, sci-fi, etc.). Recommendations: Ask friends, join book clubs, or explore online reviews and recommendations. Author: If you like a particular author, you might enjoy more of their work.
4. How do I take care of Kenmore Sewing Machines Manuals books? Storage: Keep them away from direct sunlight and in a dry environment. Handling: Avoid folding pages, use bookmarks, and handle them with clean hands. Cleaning: Gently dust the covers and pages occasionally.
5. Can I borrow books without buying them? Public Libraries: Local libraries offer a wide range of books for borrowing. Book Swaps: Community book exchanges or online platforms where people exchange books.
6. How can I track my reading progress or manage my book collection? Book Tracking Apps: Goodreads, LibraryThing, and Book Catalogue are popular apps for tracking your reading progress and managing book collections. Spreadsheets: You can create your own spreadsheet to track books read, ratings, and other details.
7. What are Kenmore Sewing Machines Manuals audiobooks, and where can I find them? Audiobooks: Audio recordings of books, perfect for listening while commuting or multitasking. Platforms: Audible, LibriVox, and Google Play Books offer a wide selection of audiobooks.
8. How do I support authors or the book industry? Buy Books: Purchase books from authors or independent bookstores. Reviews: Leave reviews on platforms like Goodreads or Amazon. Promotion: Share your favorite books on social media or recommend them to friends.
9. Are there book clubs or reading communities I can join? Local Clubs: Check for local book clubs in libraries or community centers. Online Communities: Platforms like Goodreads have virtual book clubs and discussion groups.
10. Can I read Kenmore Sewing Machines Manuals books for free? Public Domain Books: Many classic books are available for free as they're in the public domain. Free E-books: Some websites offer free e-books legally, like Project Gutenberg or Open Library.

Find Kenmore Sewing Machines Manuals :

[king james version bible commentary](#)

[kids culture catalog](#)

[kids guide duct projects guides ebook](#)

king family farm to table dinners

kia sportage manuals

[kinderen van het getto joodse revolutionairen in belgi 19251940](#)

[kia sportage service repair manual 2006 2007](#)

[kingsholt susan holliday](#)

[kids book geese in school](#)

[king lear the contemporary shakespeare series](#)

[kia2013 engine repair manual](#)

[king mill vtl manual](#)

kingdoms hope kingdom book 2

[kindle paperwhite user guide](#)

[kindergarten core curriculum map or pacing guides](#)

Kenmore Sewing Machines Manuals :

[johnson j10rlsrd service manual pdf download manualslib](#) - Sep 04 2022

web manuals brands johnson manuals outboard motor j10rlsrd service manual johnson j10rlsrd service manual

johnson evinrude 1990 2001 service manual pdf - Mar 10 2023

web from 1990 to 2001 johnson and evinrude produced a large number of models with regards to horsepower ratings as well a large number of trim and option variances on each of those models in this manual we ve included all of the 1 4 cylinder inline models of both 2 and 4 stroke designs

johnson j15rlsrs manuals manualslib - Feb 09 2023

web manuals and user guides for johnson j15rlsrs we have 1 johnson j15rlsrs manual available for free pdf download service manual johnson j15rlsrs service manual 347 pages

1990 2001 johnson evinrude outboard service manual slideshare - Aug 03 2022

web feb 23 2014 1992 2001 johnson evinrude 65 300 hp service manual application 4 cylinder engine motor models years

covered 65hp 65 hp jet 1992 1993 1994 1995 80hp 80 hp jet 1992 1993 1994 1995 1996 1997 85hp85 hp 1992 to1995 88hp 88 hp 1992 1993 1994 1995 1996 90hp 90 hp 1992 1993 1994

download 1990 2001 johnson outboard service manuals facebook - Feb 26 2022

web november 10 2017 download 1990 2001 johnson evinrude outboard service manual 1 hp to 300 hp download link bit ly evinrudejohnsonmanual

1990 2001 johnson evinrude outboard service manual 1 hp to 300 - Mar 30 2022

web nov 1 2014 replacing diaphragm on evinrude johnson vro pump lower unit seal replacement pt 2 of 3 lower seal removal lower unit seal replacement pt 3 of 3 unit 2 removal and installation sports book

old johnson outboard manuals 1950s 2000s outboard manuals net - Jul 14 2023

web download johnson outboards manuals for 2 stroke 4 stroke outboards operation owner handbooks service manuals for many models download pdf or original outboard manuals net

1990 2001 johnson evinrude outboard service manual 1 hp to - Apr 30 2022

web text of 1990 2001 johnson evinrude outboard service manual 1 hp to 300 hp page 1 1990 2001 johnson evinrude outboard service manual 1 hp to 300 hp ebookmanuals com 1990 2001 johnson evinrude outboard service manual 1 hp to 300 hp 1973 1990 johnson evinrude 2 to 40 hp service manual outboard

johnson 2001 outboard owner manuals pdf pdf support ortax - Jan 28 2022

web johnson 2001 outboard owner manuals pdf introduction johnson 2001 outboard owner manuals pdf pdf mima bulletin volume 24 1 2017 2017 06 30 this issue of the bulletin has a number of articles and reports that cover a fairly broad range of the maritime sector it includes the rticles on adopting a guide framework on marine spatial

2001 johnson evinrude 135 hp 4 cyl outboard service manual - Jul 02 2022

web 2001 johnson evinrude 135 hp 4 cyl outboard service manual 2001 johnson evinrude 135 hp 4 cyl outboard service manuals are available for immediate download this service is available for only 5 95 per download if you have a dirty old paper copy of this manual or a pdf copy of this manual on your computer and it crashed we can help

2001 johnson evinrude 115 hp 4 cyl outboard service manual - Dec 27 2021

web 2001 johnson evinrude 115 hp 4 cyl outboard service manual 2001 johnson evinrude 115 hp 4 cyl outboard service manuals are available for immediate download this service is available for only 5 95 per download

johnson evinrude outboard motor service manuals pdf download - Apr 11 2023

web 2001 johnson evinrude 80 hp 4 cyl jet drive outboard service manual 2001 johnson evinrude 75 hp 4 cyl jet drive outboard service manual 2001 johnson evinrude 225 hp 6 cyl outboard service manual 2001 johnson evinrude 175 hp 6 cyl outboard service manual 2001 johnson evinrude 150 hp 6 cyl outboard service manual 2001

[omc johnson outboard service manual watercraft manuals](#) - Jan 08 2023

web 2000 2001 johnson 3 5hp v6 outboard motor service and repair manual supplement 787132 covers all 2hp thru v6 models pdf download do it yourself watercraftmanuals com

[johnson outboard motor user manuals download manualslib](#) - Aug 15 2023

web download 65 johnson outboard motor pdf manuals user manuals johnson outboard motor operating guides and service manuals

johnson outboard motor model numbers codes marineengine com - Nov 06 2022

web your johnson outboard model number can usually be found on the nameplate located on the motor or the mounting bracket the nameplate should contain a model number and a serial number the model number will identify the year and certain details of that motor 1980 present johnson outboards from 1980 to present use a model number that will

1990 2001 johnson outboard repair owner part manuals - Oct 05 2022

web outboard sterndrive see all boat motor parts outboard sterndrive inboard anodes see all repair manuals outboard manuals sterndrive manuals boat owner s manuals see all boat motors honda outboards other outboard motors powerhead gear cases and outdrives lehr propane outboards see all inflatable boats zodiac

[johnson outboard boat motor manual directory watercraft manuals](#) - Jun 13 2023

web johnson outboard boat motor manual directory directory of johnson outboard boat motor owner operation workshop service repair and parts manuals pdf download do it yourself watercraftmanuals com

[johnson brp outboard motors operator s guide and owner s manuals](#) - May 12 2023

web johnson brp outboard motors operator s guide and owner s manuals pdf johnson f10r 2004 johnson 3 5hp 2 stroke operator s guide eng pdf 2004 johnson 3 5 2 stroke pdf adobe acrobat document 1 4 mb download 2004 johnson 8hp 2 stroke operator s guide eng pdf 2004 johnson 8 2 stroke pdf adobe acrobat document

johnson 2 stroke 40 horsepower operator s manual - Dec 07 2022

web view and download johnson 2 stroke 40 horsepower operator s manual online 2 stroke r rl 2 stroke 40 horsepower outboard motor pdf manual download

johnson controls outboard motor manuals manualsonline com - Jun 01 2022

web marine manuals and free pdf instructions find the marine product manual you need at manualsonline free johnson controls outboard motor user manuals manualsonline com

[un fotógrafo retrató a mujeres antes y después de decirles que](#) - Feb 25 2022

web aug 15 2019 el antes y el después no hace falta decir nada más fotos rotasiz seyyah en tiempos de lucha contra el machismo para algunos puede sonar ofensivo

fotografiar a la mujer posado iluminacion y tecnicas de retr - Dec 26 2021

web fotografiar a la mujer posado iluminacion y tecnicas de retr if you ally need such a referred fotografiar a la mujer posado iluminacion y tecnicas de retr books that

poses para fotos de mujer 68 1 ejemplos incluidos blog del - Sep 03 2022

web en este artículo encontrarás poses más naturales más forzadas con actitud desafiante jovial formal e informal etc la idea es que tengas un amplio repertorio para que elijas

fotografiar a la mujer posado iluminacin y tecnicas de retr pdf - Mar 09 2023

web jun 14 2023 kindly say the fotografiar a la mujer posado iluminacin y tecnicas de retr is universally compatible with any devices to read what i loved siri hustvedt 2012 01 19

fotografiar a la mujer posado iluminacin y tecnicas de retr - Jul 01 2022

web fotografiar a la mujer posado iluminacin y tecnicas de retr del modernismo a nuestros dias zero pelo blanco manual fotografía de calle pose diane arbus entre

fotografiar a la mujer posado iluminaciÓn y - Dec 06 2022

web lejos de limitarse a mostrar imágenes con diversas variantes de posados y configuraciones de iluminación en este libro se enseña cómo realizar grandes fotografías para ello se

fotografiar a la mujer posado iluminación y técnicas de retrato y - Nov 05 2022

web lejos de limitarse a mostrar imágenes con diversas variantes de posados y configuraciones de iluminación en este libro se enseña cómo realizar grandes fotografías para ello se analizan los diferentes tipos de formas de rostros y cuerpos con los que se puede encontrar al fotografiar mujeres

fotografiar a la mujer posado iluminación y tecnicas de retrato - Jul 13 2023

web nov 16 2017 lejos de limitarse a mostrar imágenes con diversas variantes de posados y configuraciones de iluminación en este libro se enseña cómo realizar grandes

libro fotografiar a la mujer posado iluminacion y tecnicas de - Oct 04 2022

web libro fotografiar a la mujer posado iluminacion y tecnicas de retrato y moda jeff rojas isbn 9788441539600 comprar en buscalibre formato libro físico autor jeff

fotografiar a la mujer posado iluminacion y tecnicas de retr - Jan 27 2022

web aug 10 2023 habit in the midst of guides you could enjoy now is fotografiar a la mujer posado iluminacion y tecnicas de retr below fotografiar a la mujer posado

fotografiar a la mujer posado iluminación y tecnicas de retrato - Apr 10 2023

web para ello se analizan los diferentes tipos de formas de rostros y cuerpos con los que se puede encontrar al fotografiar

mujeres luego el libro se sumerge en la enseñanza de

fotografiar a la mujer posado iluminacion y tecnicas de retr - Feb 08 2023

web discover the message fotografiar a la mujer posado iluminacion y tecnicas de retr that you are looking for it will certainly squander the time however below afterward you

fotografiar a la mujer posado iluminacion y tecnicas de retr - Jun 12 2023

web fotografiar a la mujer posado iluminacion y tecnicas de retr as recognized adventure as capably as experience not quite lesson amusement as competently as bargain can

fotografiar a la mujer posado iluminación y tecnicas de retrato - May 11 2023

web lejos de limitarse a mostrar imágenes con diversas variantes de posados y configuraciones de iluminación en este libro se enseña cómo realizar grandes fotografías para ello se

fotografiar a la mujer posado iluminacin y tecnicas de retr - Sep 22 2021

web download this fotografiar a la mujer posado iluminacin y tecnicas de retr after getting deal so afterward you require the ebook you have to favor to in this

fotografiar a la mujer posado iluminación y tecnicas de retrato - Aug 14 2023

web posados iluminación y técnicas de disparo para retrato y moda ha permitido al fotógrafo y escritor jeff rojas la creación de un nuevo volumen que cubre cuanto necesitamos

fotografiar a la mujer posado - Jan 07 2023

web en este libro el autor analiza los distintos tipos de formas de rostros y cuerpos con los que trabajaremos al fotografiar mujeres después se sumerge en la enseñanza de las

fotografiar a la mujer posado iluminacin y tecnicas de retr pdf - Oct 24 2021

web 4 fotografiar a la mujer posado iluminacin y tecnicas de retr 2021 10 17 cirugía la anestesia la enfermería y la importancia de la mujer la radiología la malaria y los

30 mejores poses femeninas para fotografía de retrato - Apr 29 2022

web oct 25 2020 estas emociones funcionan muy bien en la fotografía de retratos emotivos 24 una mano en la cadera las mejores poses femeninas para fotografía de retrato

fotografiar a la mujer posado iluminacin y tecnicas de retr - May 31 2022

web 2 fotografiar a la mujer posado iluminacin y tecnicas de retr 2021 11 24 pasiones adormecidas y acabará involucrada en varios homicidios cometidos en paisajes

fotografiar a la mujer posado iluminacion y tecnicas de retr - Mar 29 2022

web feb 26 2023 fotografiar a la mujer posado iluminacion y tecnicas de retr but end stirring in harmful downloads rather

than enjoying a fine ebook with a mug of coffee in

fotografiar a la mujer posado iluminacion y tecnicas de retr - Aug 02 2022

web iluminacin y tecnicas de fotografiar a la mujer posado iluminacin y tecnicas de retrato y moda spanish edition jeff rojas on amazon com free shipping on fotografiar a la

fotografiar a la mujer posado iluminacin y tecnicas de retr - Nov 24 2021

web jun 17 2023 fotografiar a la mujer posado iluminacin y tecnicas de retr 2 9 downloaded from uniport edu ng on june 17 2023 by guest men understand how a suit

introduction to management science 12th edition amazon com - Feb 10 2023

web introduction to management science global edition 73 95 3 only 4 left in stock order soon for undergraduate courses in management science a logical step by step approach to complex problem solving

introduction to management science bernard w taylor iii - Jan 29 2022

web jan 1 2009 introduction to management science shows readers how to approach decision making problems in a straightforward logical way management science linear programming model formulation and graphical solution linear programming computer solution and sensitivity analysis linear programming modeling examples integer

introduction to management science bernard w taylor - Sep 05 2022

web bernard w taylor prentice hall 2010 management science 813 pages introduction to management science shows readers how to approach decision making problems in a

introduction to management science bernard w taylor - May 13 2023

web bernard w taylor pearson 2010 management science 831 pages for undergraduate or graduate courses in management science quantitative methods and decision modeling this title is

introduction to management science bernard w taylor - Apr 12 2023

web introduction to management science part 1 bernard w taylor prentice hall 1999 lærebøger 860 pages this widely adopted text presents an accessible introduction to the techniques

introduction to management science pearson - Dec 08 2022

web jan 31 2022 introduction to management science i m a student i m an educator introduction to management science 13th edition published by pearson january 30 2022 2019 bernard w taylor virginia polytechnic institute and state university best value etextbook mo 245 32 pearson subscription 4 month term pay monthly or

introduction to management science taylor iii bernard w - Mar 31 2022

web a logical step by step approach to complex problem solving using simple straightforward examples to present complex mathematical concepts introduction to management science gives students a strong foundation in how

introduction to management science bernard w taylor - Dec 28 2021

web jan 1 1995 introduction to management science global edition 73 95 3 only 3 left in stock order soon this introduction to the often mathematically rigorous techniques and applications of management science is designed to make the subject accessible for students with no mathematical background or skills

introduction to management science 6th edition taylor - Aug 04 2022

web aug 5 1998 sold by iangood return policy returnable until jan 31 2023 buy used 7 58 have one to sell add to book club not in a club learn more see this image introduction to management science 6th edition subsequent edition by bernard w taylor author 3 ratings see all formats and editions hardcover

introduction to management science 7th edition taylor - Jul 03 2022

web jan 1 2001 introduction to management science global edition 71 40 3 only 1 left in stock order soon pearson education revised textbook for undergraduates studying management science features new topics and sections including one on model development and excel spreadsheets

introduction to management science by bernard w taylor - May 01 2022

web dec 3 2020 introduction to management science 7th ed by bernard w taylor 0 ratings 14 want to read 2 currently reading 1 have read this edition doesn't have a

introduction to management science pearson - Aug 16 2023

web jan 31 2022 introduction to management science 13th edition published by pearson january 31 2022 2019 bernard w taylor virginia polytechnic institute and state university

introduction to management science bernard w taylor free - Jun 02 2022

web mar 16 2012 introduction to management science by bernard w taylor publication date 2002 publisher prentice hall collection printdisabled internetarchivebooks

introduction to management science bernard w taylor - Jun 14 2023

web bernard w taylor prentice hall 2004 management science 761 pages this best selling introduction to the techniques and applications of management science is designed to make the

introduction to management science bernard w taylor iii - Mar 11 2023

web a logical step by step approach to complex problem solving using simple straightforward examples to present complex mathematical concepts introduction to management science gives students

introduction to management science taylor bernard w free - Jan 09 2023

web introduction to management science by taylor bernard w publication date 1990 topics management science publisher boston allyn and bacon collection printdisabled internetarchivebooks contributor internet archive language english ill on

lining papers includes bibliographical references access restricted item true addeddate
introduction to management science bernard w taylor - Nov 07 2022

web for undergraduate courses in management science a logical step by step approach to complex problem solvingusing
simple straightforward examples to present complex mathematical concepts introduction to management sciencegives
students a strong foundation in how to logically approach decision making problems

introduction to management science taylor google books - Jul 15 2023

web taylor pearson education 2008 management science 824 pages this widely adopted text presents an accessible
introduction to the techniques and applications of management science

introduction to management science by bernard w taylor iii - Feb 27 2022

web introduction to management science by bernard w taylor iii goodreads jump to ratings and reviews want to read buy on
amazon rate this book introduction to management science bernard w taylor iii 3 83 94 ratings3 reviews for undergraduate
courses in management science

introduction to management science bernard w taylor - Oct 06 2022

web introduction to management science bernard w taylor pearson prentice hall 2007 business economics 801 pages for
undergraduate or mba courses in management science