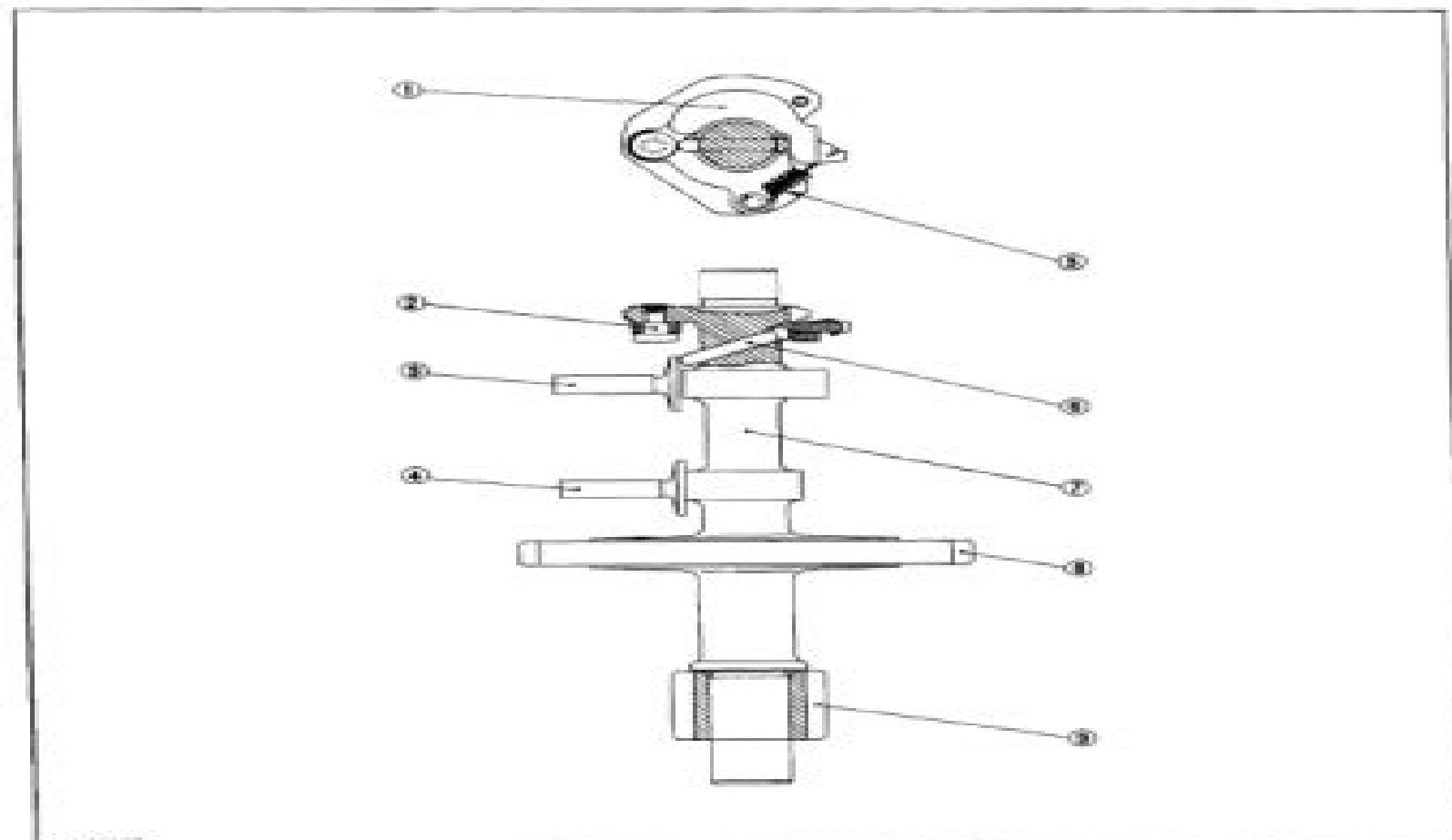


1 ENGINE

[1] AUTOMATIC PRESSURE RELIEVING MECHANISM



06177003

(1) Fly Weight
 (2) Fly Weight Shaft
 (3) Tappet (Exhaust Valve Side)

(4) Tappet (Intake Valve Side)
 (5) Decompression Spring

(6) Decompression Pin
 (7) Camshaft

(8) Cam Gear
 (9) Drive Gear

The automatic pressure relieving mechanism is installed on the camshaft to facilitate a start of the engine.

When the engine is started, the fly weight (1) located on the camshaft (7) undergoes a decompression spring tension and pushes up the tappet (3) (exhaust valve side) via the decompression pin (6).

By so doing, the compression is relieved and the recoil tension is reduced.

When the engine speed has reached 1000-1100 rpm, both the fly weight and the decompression pin are pressed against the inner wall of the device by the centrifugal force to permit normal running state.

Kubota W5019 Service Manual

Lei Huang



Kubota W5019 Service Manual:

Unveiling the Magic of Words: A Report on "**Kubota W5019 Service Manual**"

In some sort of defined by information and interconnectivity, the enchanting power of words has acquired unparalleled significance. Their ability to kindle emotions, provoke contemplation, and ignite transformative change is truly awe-inspiring. Enter the realm of "**Kubota W5019 Service Manual**," a mesmerizing literary masterpiece penned by way of a distinguished author, guiding readers on a profound journey to unravel the secrets and potential hidden within every word. In this critique, we shall delve in to the book is central themes, examine its distinctive writing style, and assess its profound affect the souls of its readers.

<http://www.armchairempire.com/files/virtual-library/Documents/manuals%20suzuki%20dr25.pdf>

Table of Contents Kubota W5019 Service Manual

1. Understanding the eBook Kubota W5019 Service Manual
 - The Rise of Digital Reading Kubota W5019 Service Manual
 - Advantages of eBooks Over Traditional Books
2. Identifying Kubota W5019 Service Manual
 - Exploring Different Genres
 - Considering Fiction vs. Non-Fiction
 - Determining Your Reading Goals
3. Choosing the Right eBook Platform
 - Popular eBook Platforms
 - Features to Look for in an Kubota W5019 Service Manual
 - User-Friendly Interface
4. Exploring eBook Recommendations from Kubota W5019 Service Manual
 - Personalized Recommendations
 - Kubota W5019 Service Manual User Reviews and Ratings
 - Kubota W5019 Service Manual and Bestseller Lists

5. Accessing Kubota W5019 Service Manual Free and Paid eBooks
 - Kubota W5019 Service Manual Public Domain eBooks
 - Kubota W5019 Service Manual eBook Subscription Services
 - Kubota W5019 Service Manual Budget-Friendly Options
6. Navigating Kubota W5019 Service Manual eBook Formats
 - ePub, PDF, MOBI, and More
 - Kubota W5019 Service Manual Compatibility with Devices
 - Kubota W5019 Service Manual Enhanced eBook Features
7. Enhancing Your Reading Experience
 - Adjustable Fonts and Text Sizes of Kubota W5019 Service Manual
 - Highlighting and Note-Taking Kubota W5019 Service Manual
 - Interactive Elements Kubota W5019 Service Manual
8. Staying Engaged with Kubota W5019 Service Manual
 - Joining Online Reading Communities
 - Participating in Virtual Book Clubs
 - Following Authors and Publishers Kubota W5019 Service Manual
9. Balancing eBooks and Physical Books Kubota W5019 Service Manual
 - Benefits of a Digital Library
 - Creating a Diverse Reading Collection Kubota W5019 Service Manual
10. Overcoming Reading Challenges
 - Dealing with Digital Eye Strain
 - Minimizing Distractions
 - Managing Screen Time
11. Cultivating a Reading Routine Kubota W5019 Service Manual
 - Setting Reading Goals Kubota W5019 Service Manual
 - Carving Out Dedicated Reading Time
12. Sourcing Reliable Information of Kubota W5019 Service Manual
 - Fact-Checking eBook Content of Kubota W5019 Service Manual
 - Distinguishing Credible Sources
13. Promoting Lifelong Learning

- Utilizing eBooks for Skill Development
 - Exploring Educational eBooks
14. Embracing eBook Trends
- Integration of Multimedia Elements
 - Interactive and Gamified eBooks

Kubota W5019 Service Manual Introduction

In the digital age, access to information has become easier than ever before. The ability to download Kubota W5019 Service Manual has revolutionized the way we consume written content. Whether you are a student looking for course material, an avid reader searching for your next favorite book, or a professional seeking research papers, the option to download Kubota W5019 Service Manual has opened up a world of possibilities. Downloading Kubota W5019 Service Manual provides numerous advantages over physical copies of books and documents. Firstly, it is incredibly convenient. Gone are the days of carrying around heavy textbooks or bulky folders filled with papers. With the click of a button, you can gain immediate access to valuable resources on any device. This convenience allows for efficient studying, researching, and reading on the go. Moreover, the cost-effective nature of downloading Kubota W5019 Service Manual has democratized knowledge. Traditional books and academic journals can be expensive, making it difficult for individuals with limited financial resources to access information. By offering free PDF downloads, publishers and authors are enabling a wider audience to benefit from their work. This inclusivity promotes equal opportunities for learning and personal growth. There are numerous websites and platforms where individuals can download Kubota W5019 Service Manual. These websites range from academic databases offering research papers and journals to online libraries with an expansive collection of books from various genres. Many authors and publishers also upload their work to specific websites, granting readers access to their content without any charge. These platforms not only provide access to existing literature but also serve as an excellent platform for undiscovered authors to share their work with the world. However, it is essential to be cautious while downloading Kubota W5019 Service Manual. Some websites may offer pirated or illegally obtained copies of copyrighted material. Engaging in such activities not only violates copyright laws but also undermines the efforts of authors, publishers, and researchers. To ensure ethical downloading, it is advisable to utilize reputable websites that prioritize the legal distribution of content. When downloading Kubota W5019 Service Manual, users should also consider the potential security risks associated with online platforms. Malicious actors may exploit vulnerabilities in unprotected websites to distribute malware or steal personal information. To protect themselves, individuals should ensure their devices have reliable antivirus software installed and validate the legitimacy of the websites they are downloading from. In conclusion, the ability to download Kubota W5019

Service Manual has transformed the way we access information. With the convenience, cost-effectiveness, and accessibility it offers, free PDF downloads have become a popular choice for students, researchers, and book lovers worldwide. However, it is crucial to engage in ethical downloading practices and prioritize personal security when utilizing online platforms. By doing so, individuals can make the most of the vast array of free PDF resources available and embark on a journey of continuous learning and intellectual growth.

FAQs About Kubota W5019 Service Manual Books

How do I know which eBook platform is the best for me? Finding the best eBook platform depends on your reading preferences and device compatibility. Research different platforms, read user reviews, and explore their features before making a choice. Are free eBooks of good quality? Yes, many reputable platforms offer high-quality free eBooks, including classics and public domain works. However, make sure to verify the source to ensure the eBook credibility. Can I read eBooks without an eReader? Absolutely! Most eBook platforms offer webbased readers or mobile apps that allow you to read eBooks on your computer, tablet, or smartphone. How do I avoid digital eye strain while reading eBooks? To prevent digital eye strain, take regular breaks, adjust the font size and background color, and ensure proper lighting while reading eBooks. What the advantage of interactive eBooks? Interactive eBooks incorporate multimedia elements, quizzes, and activities, enhancing the reader engagement and providing a more immersive learning experience. Kubota W5019 Service Manual is one of the best book in our library for free trial. We provide copy of Kubota W5019 Service Manual in digital format, so the resources that you find are reliable. There are also many Ebooks of related with Kubota W5019 Service Manual. Where to download Kubota W5019 Service Manual online for free? Are you looking for Kubota W5019 Service Manual PDF? This is definitely going to save you time and cash in something you should think about. If you trying to find then search around for online. Without a doubt there are numerous these available and many of them have the freedom. However without doubt you receive whatever you purchase. An alternate way to get ideas is always to check another Kubota W5019 Service Manual. This method for see exactly what may be included and adopt these ideas to your book. This site will almost certainly help you save time and effort, money and stress. If you are looking for free books then you really should consider finding to assist you try this. Several of Kubota W5019 Service Manual are for sale to free while some are payable. If you arent sure if the books you would like to download works with for usage along with your computer, it is possible to download free trials. The free guides make it easy for someone to free access online library for download books to your device. You can get free download on free trial for lots of books categories. Our library is the biggest of these that have literally hundreds of thousands of different products categories represented. You will also see that there are specific sites catered to different product types or

categories, brands or niches related with Kubota W5019 Service Manual. So depending on what exactly you are searching, you will be able to choose e books to suit your own need. Need to access completely for Campbell Biology Seventh Edition book? Access Ebook without any digging. And by having access to our ebook online or by storing it on your computer, you have convenient answers with Kubota W5019 Service Manual To get started finding Kubota W5019 Service Manual, you are right to find our website which has a comprehensive collection of books online. Our library is the biggest of these that have literally hundreds of thousands of different products represented. You will also see that there are specific sites catered to different categories or niches related with Kubota W5019 Service Manual So depending on what exactly you are searching, you will be able to choose ebook to suit your own need. Thank you for reading Kubota W5019 Service Manual. Maybe you have knowledge that, people have search numerous times for their favorite readings like this Kubota W5019 Service Manual, but end up in harmful downloads. Rather than reading a good book with a cup of coffee in the afternoon, instead they juggled with some harmful bugs inside their laptop. Kubota W5019 Service Manual is available in our book collection an online access to it is set as public so you can download it instantly. Our digital library spans in multiple locations, allowing you to get the most less latency time to download any of our books like this one. Merely said, Kubota W5019 Service Manual is universally compatible with any devices to read.

Find Kubota W5019 Service Manual :

[manuals suzuki dr250](#)

[marantz 1060 stereo amplifier owner service manual vintage](#)

marc devade bernard ceysson

[mariner 15 hp service manual two stroke](#)

maple 12 getting started guide

[marine corps drill manual open ranks](#)

[mapping your academic career charting the course of a professors life](#)

marcas en el camino minima

marantz pm66 ki manual

march 4 2013 teachers guide junior scholastic

marieb anatomy and physiology lab manual answers

[manuals ford everest](#)

[maple chase thermostat manual 09720](#)

[maquinas calculos de taller](#)

margaret kilgo question stems spanish 4th grade

Kubota W5019 Service Manual :

ATF for manual trans in a Ford Escort advice? I know some of the newer Dextron shouldnt be used in a manual trans but is it the same way with the newer Mercon? Can I run a synthetic like Amsoil ATF? The car ... Manual Transmission on a 98 ZX2 Nov 11, 2006 — Ford Escort - Manual Transmission on a 98 ZX2 - Does anyone know if Ford recommends changing the fluid in it's ZX2 model if it's a manual ... Change FORD ESCORT Gearbox Oil and Transmission Oil ... Change FORD ESCORT Gearbox Oil and Transmission Oil yourself - manuals and video tutorials. Helpful guides and tips on replacing FORD ESCORT Gearbox Oil and ... What kind of trans fluid? Nov 24, 2006 — In my 2000 Ford Escort Owners Manual, it states Mercon Auto Tranny Fluid. I have not seen anything about Dextron Mercon III. Even the ... ESCORT ZX2 PROJECT FILLING MANUAL TRANSMISSION ... How to Add Fluid to Manual Transmission Jan 18, 2010 — I have a 1999 Escort 123,750 miles. I changed the driver side axle and oil seal and lost some transmission fluid. I have been told that to add/ ... 1995 ford escort manual transmission fluid Get a free detailed estimate for a transmission fluid change in your area from KBB. ... 8.Compare 1995 Ford Escort Manual Transmission Fluid brands.8l manual ... 1997 ford escort manual trans fluid level check Get a free detailed estimate for a.To change the transmission fluid on the manual 1998 Ford Escort ZX2, drain the fluid from the drain hole near the speed ... Ford Escort Manual Transmission Fluid Low prices on Manual Transmission Fluid for your Ford Escort at Advance Auto Parts. Find aftermarket and OEM parts online or at a local store near you. Ford escort manual transission for sale The manual transmission in the Ford Escort uses transmission fluid, it is ... Get a free detailed estimate for a transmission repair and replacement in your area ... Chapter 6 Solutions | Prelude To Programming 6th Edition Access Prelude to Programming 6th Edition Chapter 6 solutions now. Our solutions are written by Chegg experts so you can be assured of the highest quality! Ch06 Evens Answers Prelude 6ed - Prelude to Programming Prelude to Programming, 6th EditionElizabeth Drake Answers to Even-Numbered Review QuestionsPrelude to Programming Chapter6 2.Pseudorandom number 4. 013374227X tb06 - Prelude to Programming 6th edition... View Homework Help - 013374227X _tb06 from ITSE 1402 at Central Texas College. Prelude to Programming 6th edition Elizabeth Drake Test Bank for Prelude to ... Test Bank for Prelude to Programming, 6/E 6th Edition Prelude to Programming 6th edition Elizabeth Drake. Test Bank for Prelude to Programming Chapter 6. MULTIPLE CHOICE. 1. If Number = 4, what possible numbers ... Test Bank for Prelude to Programming 6 e 6th Edition ... Test Bank for Prelude to Programming, · 1. True/False: The Analytical Engine was developed by Charles Babbage, assisted by Ada · 2. True/False: In early computers ... Prelude+to+Programming+Cencepts+and+Design ... The Review Exercises in each chapter contain Multiple Choice, True/False,. Short Answer, and a Programming Challenges section. All Challenge prob- lems are ... Prelude to programming

Edition 6 SDEV120 FINALS Prelude to programming Edition 6 SDEV120 FINALS. Flashcards · Learn · Test · Match ... chapters and examples saved should say chapter folders>1.1 ex etc doing ... Test Bank for Prelude to Programming Chapter 2 Test Bank for Prelude to Programming Chapter 2 MULTIPLE CHOICE 1. In the first phase of the program development cycle you should: a. make a hierarchy chart ... Prelude to Programming, 6th edition Jul 14, 2021 — Run It: Self-Grading Math Test; Problem Statement; Developing and Creating the Program; Check It Out; Chapter Review and Exercises. Searching ... Engineering Mechanics 4th Edition Textbook Solutions Access Engineering Mechanics 4th Edition solutions now. Our solutions are written by Chegg experts so you can be assured of the highest quality! Gere And Timoshenko Mechanics Of Materials Solution ... Nov 13, 2020 — Addeddate: 2020-11-13 14:30:20 ; Identifier: gere-timoshenko-mechanics-materials-solution-manual ; Identifier-ark: ark:/13960/t2f861165 ; Ocr ... Problem Set 2.1, Solutions, Engineering Mechanics ... Stephen P Timoshenko Solutions Books by Stephen P Timoshenko with Solutions ; Mechanics of Materials 4th Edition 0 Problems solved, James M. Gere, Stephen P. Timoshenko, Stephen Timoshenko. Where can I find solutions for problems in 'Mechanics ... Nov 30, 2020 — ... solutions manual for Structural Analysis 4th Edition ... Where can I get SOLUTIONS MANUAL: Engineering Mechanics - Statics, 7th Ed (J. L. Meriam, ... Timoshenko Solutions Manual 5th Ed Recommend Stories · Timoshenko Solutions Manual 5th Ed · Timoshenko Solutions Manual 5th Ed · Solutions Manual welty 5th · Solution Manual Chengel 5th-Ed · [... Timoshenko Solutions Manual 5th Ed | PDF Timoshenko Solutions Manual 5th Ed - Free download as Word Doc (.doc), PDF File (.pdf), Text File (.txt) or read online for free. Engineering Mechanics: statics, Instructor's Solutions Manual ... We trust you find the Supplement a useful teaching tool. Instructor's Solutions Manual to Accompany Engineering Mechanics: Dynamics 4th EDITION ANDREW PYTEL ... Engineering Mechanics, solution, Problem 3.3, Timoshenko ...