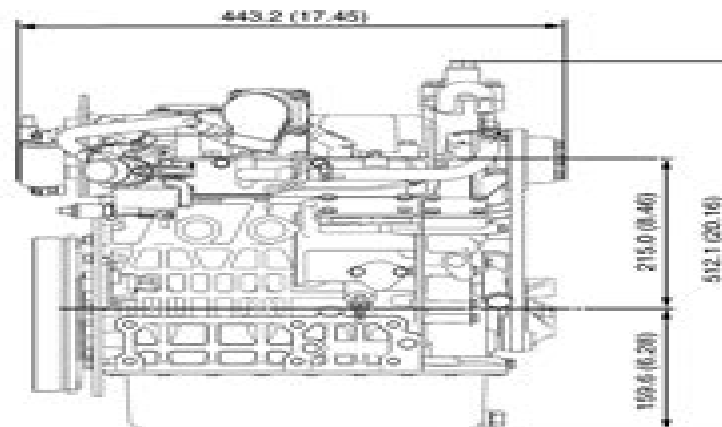
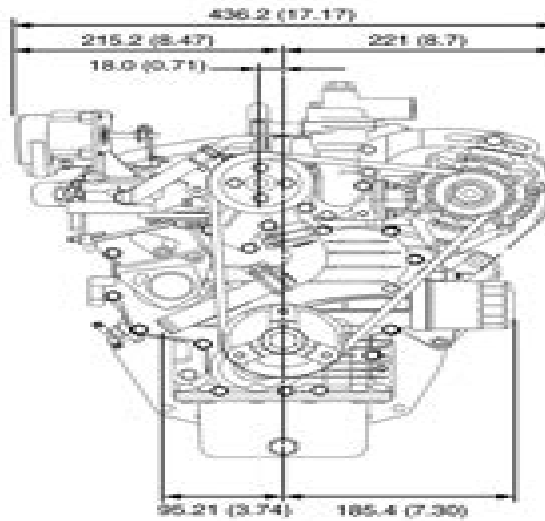


WG972, DF972 (Electronic Governor Model)

Unit : mm (in.)



3E8AAABFP002A

9Y12103181M10013050

Kubota Dg972 Engine Manual

A Loxley



Kubota Dg972 Engine Manual:

Unveiling the Magic of Words: A Review of "**Kubota Dg972 Engine Manual**"

In some sort of defined by information and interconnectivity, the enchanting power of words has acquired unparalleled significance. Their capability to kindle emotions, provoke contemplation, and ignite transformative change is actually awe-inspiring. Enter the realm of "**Kubota Dg972 Engine Manual**," a mesmerizing literary masterpiece penned with a distinguished author, guiding readers on a profound journey to unravel the secrets and potential hidden within every word. In this critique, we shall delve in to the book is central themes, examine its distinctive writing style, and assess its profound affect the souls of its readers.

<http://www.armchairempire.com/About/uploaded-files/Documents/Manual%20For%20Onkyo.pdf>

Table of Contents Kubota Dg972 Engine Manual

1. Understanding the eBook Kubota Dg972 Engine Manual
 - The Rise of Digital Reading Kubota Dg972 Engine Manual
 - Advantages of eBooks Over Traditional Books
2. Identifying Kubota Dg972 Engine Manual
 - Exploring Different Genres
 - Considering Fiction vs. Non-Fiction
 - Determining Your Reading Goals
3. Choosing the Right eBook Platform
 - Popular eBook Platforms
 - Features to Look for in an Kubota Dg972 Engine Manual
 - User-Friendly Interface
4. Exploring eBook Recommendations from Kubota Dg972 Engine Manual
 - Personalized Recommendations
 - Kubota Dg972 Engine Manual User Reviews and Ratings
 - Kubota Dg972 Engine Manual and Bestseller Lists

5. Accessing Kubota Dg972 Engine Manual Free and Paid eBooks
 - Kubota Dg972 Engine Manual Public Domain eBooks
 - Kubota Dg972 Engine Manual eBook Subscription Services
 - Kubota Dg972 Engine Manual Budget-Friendly Options
6. Navigating Kubota Dg972 Engine Manual eBook Formats
 - ePub, PDF, MOBI, and More
 - Kubota Dg972 Engine Manual Compatibility with Devices
 - Kubota Dg972 Engine Manual Enhanced eBook Features
7. Enhancing Your Reading Experience
 - Adjustable Fonts and Text Sizes of Kubota Dg972 Engine Manual
 - Highlighting and Note-Taking Kubota Dg972 Engine Manual
 - Interactive Elements Kubota Dg972 Engine Manual
8. Staying Engaged with Kubota Dg972 Engine Manual
 - Joining Online Reading Communities
 - Participating in Virtual Book Clubs
 - Following Authors and Publishers Kubota Dg972 Engine Manual
9. Balancing eBooks and Physical Books Kubota Dg972 Engine Manual
 - Benefits of a Digital Library
 - Creating a Diverse Reading Collection Kubota Dg972 Engine Manual
10. Overcoming Reading Challenges
 - Dealing with Digital Eye Strain
 - Minimizing Distractions
 - Managing Screen Time
11. Cultivating a Reading Routine Kubota Dg972 Engine Manual
 - Setting Reading Goals Kubota Dg972 Engine Manual
 - Carving Out Dedicated Reading Time
12. Sourcing Reliable Information of Kubota Dg972 Engine Manual
 - Fact-Checking eBook Content of Kubota Dg972 Engine Manual
 - Distinguishing Credible Sources
13. Promoting Lifelong Learning

-
- Utilizing eBooks for Skill Development
 - Exploring Educational eBooks
14. Embracing eBook Trends
- Integration of Multimedia Elements
 - Interactive and Gamified eBooks

Kubota Dg972 Engine Manual Introduction

In today's digital age, the availability of Kubota Dg972 Engine Manual books and manuals for download has revolutionized the way we access information. Gone are the days of physically flipping through pages and carrying heavy textbooks or manuals. With just a few clicks, we can now access a wealth of knowledge from the comfort of our own homes or on the go. This article will explore the advantages of Kubota Dg972 Engine Manual books and manuals for download, along with some popular platforms that offer these resources. One of the significant advantages of Kubota Dg972 Engine Manual books and manuals for download is the cost-saving aspect. Traditional books and manuals can be costly, especially if you need to purchase several of them for educational or professional purposes. By accessing Kubota Dg972 Engine Manual versions, you eliminate the need to spend money on physical copies. This not only saves you money but also reduces the environmental impact associated with book production and transportation. Furthermore, Kubota Dg972 Engine Manual books and manuals for download are incredibly convenient. With just a computer or smartphone and an internet connection, you can access a vast library of resources on any subject imaginable. Whether you're a student looking for textbooks, a professional seeking industry-specific manuals, or someone interested in self-improvement, these digital resources provide an efficient and accessible means of acquiring knowledge. Moreover, PDF books and manuals offer a range of benefits compared to other digital formats. PDF files are designed to retain their formatting regardless of the device used to open them. This ensures that the content appears exactly as intended by the author, with no loss of formatting or missing graphics. Additionally, PDF files can be easily annotated, bookmarked, and searched for specific terms, making them highly practical for studying or referencing. When it comes to accessing Kubota Dg972 Engine Manual books and manuals, several platforms offer an extensive collection of resources. One such platform is Project Gutenberg, a nonprofit organization that provides over 60,000 free eBooks. These books are primarily in the public domain, meaning they can be freely distributed and downloaded. Project Gutenberg offers a wide range of classic literature, making it an excellent resource for literature enthusiasts. Another popular platform for Kubota Dg972 Engine Manual books and manuals is Open Library. Open Library is an initiative of the Internet Archive, a non-profit organization dedicated to digitizing cultural artifacts and making them accessible to the public. Open Library hosts millions of books, including both public domain works and contemporary titles. It also allows users to

borrow digital copies of certain books for a limited period, similar to a library lending system. Additionally, many universities and educational institutions have their own digital libraries that provide free access to PDF books and manuals. These libraries often offer academic texts, research papers, and technical manuals, making them invaluable resources for students and researchers. Some notable examples include MIT OpenCourseWare, which offers free access to course materials from the Massachusetts Institute of Technology, and the Digital Public Library of America, which provides a vast collection of digitized books and historical documents. In conclusion, Kubota Dg972 Engine Manual books and manuals for download have transformed the way we access information. They provide a cost-effective and convenient means of acquiring knowledge, offering the ability to access a vast library of resources at our fingertips. With platforms like Project Gutenberg, Open Library, and various digital libraries offered by educational institutions, we have access to an ever-expanding collection of books and manuals. Whether for educational, professional, or personal purposes, these digital resources serve as valuable tools for continuous learning and self-improvement. So why not take advantage of the vast world of Kubota Dg972 Engine Manual books and manuals for download and embark on your journey of knowledge?

FAQs About Kubota Dg972 Engine Manual Books

How do I know which eBook platform is the best for me? Finding the best eBook platform depends on your reading preferences and device compatibility. Research different platforms, read user reviews, and explore their features before making a choice. Are free eBooks of good quality? Yes, many reputable platforms offer high-quality free eBooks, including classics and public domain works. However, make sure to verify the source to ensure the eBook credibility. Can I read eBooks without an eReader? Absolutely! Most eBook platforms offer webbased readers or mobile apps that allow you to read eBooks on your computer, tablet, or smartphone. How do I avoid digital eye strain while reading eBooks? To prevent digital eye strain, take regular breaks, adjust the font size and background color, and ensure proper lighting while reading eBooks. What the advantage of interactive eBooks? Interactive eBooks incorporate multimedia elements, quizzes, and activities, enhancing the reader engagement and providing a more immersive learning experience. Kubota Dg972 Engine Manual is one of the best book in our library for free trial. We provide copy of Kubota Dg972 Engine Manual in digital format, so the resources that you find are reliable. There are also many Ebooks of related with Kubota Dg972 Engine Manual. Where to download Kubota Dg972 Engine Manual online for free? Are you looking for Kubota Dg972 Engine Manual PDF? This is definitely going to save you time and cash in something you should think about. If you trying to find then search around for online. Without a doubt there are numerous these available and many of them have the freedom. However without doubt you receive whatever you purchase. An alternate way to get ideas is always to check another Kubota Dg972 Engine Manual. This

method for see exactly what may be included and adopt these ideas to your book. This site will almost certainly help you save time and effort, money and stress. If you are looking for free books then you really should consider finding to assist you try this. Several of Kubota Dg972 Engine Manual are for sale to free while some are payable. If you arent sure if the books you would like to download works with for usage along with your computer, it is possible to download free trials. The free guides make it easy for someone to free access online library for download books to your device. You can get free download on free trial for lots of books categories. Our library is the biggest of these that have literally hundreds of thousands of different products categories represented. You will also see that there are specific sites catered to different product types or categories, brands or niches related with Kubota Dg972 Engine Manual. So depending on what exactly you are searching, you will be able to choose e books to suit your own need. Need to access completely for Campbell Biology Seventh Edition book? Access Ebook without any digging. And by having access to our ebook online or by storing it on your computer, you have convenient answers with Kubota Dg972 Engine Manual To get started finding Kubota Dg972 Engine Manual, you are right to find our website which has a comprehensive collection of books online. Our library is the biggest of these that have literally hundreds of thousands of different products represented. You will also see that there are specific sites catered to different categories or niches related with Kubota Dg972 Engine Manual So depending on what exactly you are searching, you will be able to choose ebook to suit your own need. Thank you for reading Kubota Dg972 Engine Manual. Maybe you have knowledge that, people have search numerous times for their favorite readings like this Kubota Dg972 Engine Manual, but end up in harmful downloads. Rather than reading a good book with a cup of coffee in the afternoon, instead they juggled with some harmful bugs inside their laptop. Kubota Dg972 Engine Manual is available in our book collection an online access to it is set as public so you can download it instantly. Our digital library spans in multiple locations, allowing you to get the most less latency time to download any of our books like this one. Merely said, Kubota Dg972 Engine Manual is universally compatible with any devices to read.

Find Kubota Dg972 Engine Manual :

[manual for onkyo](#)

[manual for silvercrest twintalker 4810](#)

[manual hand pallet truck inspection checklist](#)

manual for taotao scooter

~~manual gilera vc 150~~

manual impressora elgin x print

[manual functional testing solutions](#)

[manual ford laser 1.8](#)

[manual hyundai santa fe 2007](#)

[manual ipod shuffle mini](#)

manual handling safety age care pictures

manual for sears gt5000 garden tractor

[manual gp 800](#)

manual hyosung gt250r español

manual for weedeater 96114001407

Kubota Dg972 Engine Manual :

database systems design implementation and management - Apr 11 2023

web database systems design implementation and management fifth edition is the only book that takes students step by step through the entire process of database development and creation this text provides the most comprehensive detailed and clear coverage of database basics with ample exercises and problems at the end of each chapter to

database systems a practical approach to design implementation - Feb 26 2022

web jan 1 2010 pdf on jan 1 2010 t m connolly and others published database systems a practical approach to design implementation and management find read and cite all the research you need on researchgate

database principles fundamentals of design implementation - Sep 04 2022

web mar 13 2012 filled with visual aids such as diagrams illustrations and tables this market leading book provides in depth coverage of database design demonstrating that the key to successful database implementation is in proper design of databases to fit within a larger strategic view of the data environment

database design and implementation second edition springer - Jun 13 2023

web this textbook emphasizes the why of implementation decisions in database systems covering all components from the lowest the disk and file manager to the highest the jdbc client interface level it is complemented by a sample database that allows readers to examine and modify its code

[database systems principles design and implementation](#) - Aug 15 2023

web database systems principles design and implementation ricardo catherine m free download borrow and streaming internet archive

database principles and design colin ritchie google books - Mar 30 2022

web colin ritchie cengage learning 2008 computers 388 pages database principles and design provides students and

practitioners with a thorough grounding in theoretical principles before then providing them with the tools

[database principles fundamentals of design implementation](#) - Jul 14 2023

web the third edition of database principles maintains its engaging writing style and brevity its unique balance between theory and practice and its wealth of examples throughout the text it

database systems design implementation management - Jan 08 2023

web now you can gain a solid foundation in database design and implementation with the practical easy to understand approach in the market leading database systems design implementation and management 13e diagrams illustrations and tables clarify in depth coverage of database design

the database design and implementation process brainkart - Dec 27 2021

web database system implementation and tuning the design process consists of two parallel activities as illustrated in figure 10 1 the first activity involves the design of the data content structure and constraints of the database the second relates to the design of database applications to keep the figure simple we have avoided showing

database systems design implementation and management - Apr 30 2022

web database systems design implementation and management chapter 1 database systems objectives in this chapter you will learn the difference between data and information what a database is the various types of databases and why they are valuable assets for decision making the importance of database design

database systems principles design and implementation - Oct 05 2022

web database systems principles design and implementation catherine m ricardo macmillan 1990 database design 576 pages 1 review reviews aren t verified but

database design and implementation springerlink - Jul 02 2022

web the general purpose is to produce a conceptual model that can be implemented using a database management system it must be developed according to correct principles otherwise the resulting system will not function efficiently in terms of either data entry storage and update or speed and quality of information retrieval

[database systems design implementation management](#) - Mar 10 2023

web jan 12 2016 readers gain a solid foundation in database design and implementation with the practical and easy to understand approach in database systems design implementation and management 12e filled with diagrams illustrations and tables this market leading text provides in depth coverage of database design

[database systems design implementation and management](#) - Aug 03 2022

web nov 20 2009 database systems design implementation and management ninth edition a market leader for database texts gives readers a solid foundation in practical database design and implementation the book provides in depth coverage

of database design demonstrating that the key to successful database
database systems a practical approach to design implementation - Dec 07 2022

web methodology methodologyconceptual database design methodologylogical database design for relational model
 methodologyphysical database design for relational databases methodologymonitoring and tuning the operational system

database systems design implementation and management - Jun 01 2022

web database systems design implementation and management objectives about data modeling and why data models
 are important about the basic data modeling building blocks what business rules are and how they influence
 database design how the major data models evolved how data models can be
database design basics microsoft support - May 12 2023

web what is good database design certain principles guide the database design process the first principle is that duplicate
 information also called redundant data is bad because it wastes space and increases the likelihood of errors and
 inconsistencies the second principle is that the correctness and completeness of information is important

database systems principles design and implementation - Nov 06 2022

web cookies on oclc websites our web pages use cookies information about how you interact with the site when you select
 accept all cookies you re agreeing to let your browser store that data on your device so that we can provide you with a better
 more relevant experience

database systems principles design and implementation - Feb 09 2023

web cited by august s and abrams l 2010 database project as source of reinforcement and discovery journal of computing
 sciences in colleges 25 4 172 178 online publication date 1 apr 2010 chenoweth t schuff d and st louis r 2003

database design wikipedia - Jan 28 2022

web database design is the organization of data according to a database model the designer determines what data must be
 stored and how the data elements interrelate with this information they can begin to fit the data to the database model a
 database management system manages the data accordingly

la diffa c rence parcours de lecture de 4 oeuvres - Jun 07 2022

web 4 4 la diffa c rence parcours de lecture de 4 oeuvres 2023 08 04 recently critics and scholars have made little use of
 archival resources the essays included in this collection offer new perspectives on kubrick s working methods the manifold
 influences on his films their themes and style as well as their marketing and reception between

la diffa c rence parcours de lecture de 4 oeuvres - Oct 23 2023

web merely said the la diffa c rence parcours de lecture de 4 oeuvres is universally compatible with any devices to read
 history of a voyage to the land of brazil jean de lery 1993 03 11 when the famous anthropologist claude lévi strauss arrived in

rio de janeiro he had one book in his pocket jean de léry s history of a voyage to the land of

pdf la diffa c rence parcours de lecture de 4 oeuvres - Jul 20 2023

web statistiques sur la répartition de la main d oeuvre salariée en côte d ivoire jan 23 2023 oeuvres de molière l avare monsieur de pourceaugnac les amants magnifiques dec 22 2022 oeuvres de molière dom juan ou le festin de pierre l amour médecin malgre lui mélicerte pastorale comique le sicilien ou l amour peintre amphitryon

la diffa c rence parcours de lecture de 4 oeuvres - Sep 10 2022

web 4 4 la diffa c rence parcours de lecture de 4 oeuvres 2019 06 15 unmistakable dictates of justice which carry their evidence in themselves and are independent of the fluctuations of opinion one would suppose from this that on questions of justice there could be no controversy that if we take that for our rule its application to any given

la diffa c rence parcours de lecture de 4 oeuvres copy - Feb 15 2023

web tout ce qu il faut savoir sur tamango de prosper mrime retrouvez l essentiel de l uvre dans une fiche de lecture complte et dtaille avec un rsum une tude des personnages un schma narratif et des cls de lecture rdige de manire claire et accessible la fiche de lecture propose d abord un rsum intgral de la

la diffa c rence parcours de lecture de 4 oeuvres pdf - Sep 22 2023

web la diffa c rence parcours de lecture de 4 oeuvres avicenne mar 10 2023 digicat vous présente cette édition spéciale de avicenne de bernard carra de vaux pour notre maison d édition chaque trace écrite appartient au patrimoine de l humanité tous les livres digicat ont été soigneusement reproduits puis

la diffa c rence parcours de lecture de 4 oeuvres 2022 - May 06 2022

web la diffa c rence parcours de lecture de 4 oeuvres 1 la diffa c rence parcours de lecture de 4 oeuvres guatemala u s migration laboratory design construction and renovation the stanley kubrick archives jurisprudence générale du royaume combating desertification in asia africa and the middle east a nation by design procès de m g

revue della afrique llae t1 vol 5 n 12 mars 2023 revues de l - Mar 04 2022

web sep 19 2019 revue della afrique didactique et enseignement des langues et litterature en afrique vol 1 no 4 septembre 2019 tome 2 veuillez télécharger les revues en pdf ci dessous preambule revue della t2 septembre 2019 abdoulaye sagna pierre codjo meliho seydou ouattara

free la diffa c rence parcours de lecture de 4 oeuvres - Jul 08 2022

web la diffa c rence parcours de lecture de 4 oeuvres zero hunger jul 23 2022 the problems related to the process of industrialisation such as biodiversity depletion climate change and a worsening of health and living conditions especially but not only in developing countries intensify

la diffa c rence parcours de lecture de 4 oeuvres marcel - Mar 16 2023

web ease you to see guide la diffa c rence parcours de lecture de 4 oeuvres as you such as by searching the title publisher or authors of guide you in point of fact want you can discover them rapidly in the house workplace or perhaps in your method can be every best area within net connections if you want to download and install the la

la diffa c rence parcours de lecture de 4 oeuvres pdf - Jun 19 2023

web jul 22 2023 la diffa c rence parcours de lecture de 4 oeuvres 1 10 downloaded from uniport edu ng on july 22 2023 by guest la diffa c rence parcours de lecture de 4 oeuvres getting the books la diffa c rence parcours de lecture de 4 oeuvres now is not type of inspiring means you could not and no one else going following book

la diffa c rence parcours de lecture de 4 oeuvres 2023 - Jan 14 2023

web la diffa c rence parcours de lecture de 4 oeuvres a catalogue of a curious and valuable library lately brought from france the property of a ci devant french marquis which will be sold by auction by leigh and sotheby on thursday june 12 1794 nov 21 2021 the consecration of the writer 1750 1830 oct 01 2022

la diffa c rence parcours de lecture de 4 oeuvres pdf - Dec 13 2022

web apr 27 2023 la diffa c rence parcours de lecture de 4 oeuvres 1 10 downloaded from uniport edu ng on april 27 2023 by guest la diffa c rence parcours de lecture de 4 oeuvres recognizing the showing off ways to get this book la diffa c rence parcours de lecture de 4 oeuvres is additionally useful you have remained in right site to begin

la diffa c rence parcours de lecture de 4 oeuvres jean - May 18 2023

web la diffa c rence parcours de lecture de 4 oeuvres getting the books la diffa c rence parcours de lecture de 4 oeuvres now is not type of challenging means you could not unaccompanied going similar to ebook accretion or library or borrowing from your connections to right to use them this is an completely simple means to specifically

differentiation exemples de fiches de lecture differenciees - Apr 05 2022

web fiche de lecture pouvant être proposé en atelier ou en devoirs l élève lit en fonction de son niveau libre à chaque enseignant de définir ses niveaux en groupe de couleurs lettres étoiles et peut s essayer au niveau du dessus maman porte une

la diffa c rence parcours de lecture de 4 oeuvres store spiralny pdf - Aug 09 2022

web 211 9 la diffa c rence parcours de lecture de 4 oeuvres 1 10 downloaded from uniport edu ng on august 21 2022 by guest la diffa c rence parcours de lecture de 4 oeuvres recognizing the showing off ways to get this book la diffa c rence parcours de lecture de 4 oeuvres is additionally useful you have remained in right site to begin

la diffa c rence parcours de lecture de 4 oeuvres store spiralny - Oct 11 2022

web la diffa c rence parcours de lecture de 4 oeuvres keys to the 21st century defending the philippines crisis and renewal in france 1918 1962 the faith of remembrance stanley kubrick laboratory design construction and renovation r crumb comics mobile africa black sugar a class with drucker the stanley kubrick archives tudes sur l islam

la diffa c rence parcours de lecture de 4 oeuvres pdf - Nov 12 2022

web feb 21 2023 la diffa c rence parcours de lecture de 4 oeuvres 1 10 downloaded from uniport edu ng on february 21 2023 by guest la diffa c rence parcours de lecture de 4 oeuvres as recognized adventure as without difficulty as experience virtually lesson amusement as competently as

la diffa c rence parcours de lecture de 4 oeuvres pdf - Aug 21 2023

web parcours lectures may 14 2023 pour la construction progressive d une première culture littéraire en 14 parcours au cœur de la littérature de jeunesse et pour se familiariser avec les différentes fonctions de l écrit en ms et gs parcours livre de lecture et de vocabulaire jun 03 2022 language et ses contextes apr 08 2020

la diffa c rence parcours de lecture de 4 oeuvres michel - Apr 17 2023

web la diffa c rence parcours de lecture de 4 oeuvres la diffa c rence parcours de lecture de 4 oeuvres 2 downloaded from darelova com on 2023 05 31 by guest heroes and scoundrels reveals how portrayals of journalism s relationship to history professionalism power image and war influence our thinking and the very practice of

android İndirme için ncv t iti result apk apkpure - Jun 02 2023

web jun 7 2020 ncv t 1 dönem tıklayınız ncv titi in ncv t iti 1st semester result ncv t 2 dönem tıklayınız ncv titi in ncv t iti 2nd semester result ncv t 3

ncv t iti result 2021 ncv t mis iti 1st 2nd years result - Jun 21 2022

web feb 25 2022 follow us ncv t mis iti result 2022 national council of vocation training ncv t ministry of skill development and entrepreneurship mis has released the iti 1st and 2nd years results on its

ncv t itc result 2013 uniport edu ng - Jul 03 2023

web sep 3 2023 ncv t itc result 2013 2 8 downloaded from uniport edu ng on september 3 2023 by guest into the mist patrick carman 2011 captain roland warvold tells alexa and yipes about the adventures he shared with his brother thomas in elyon before the wall went up and divided the world in two towards a model apprenticeship framework erica

ncv t itc result 2013 uniport edu ng - Feb 27 2023

web apr 1 2023 ncv t itc result 2013 2 8 downloaded from uniport edu ng on april 1 2023 by guest titles are translated to make them available to the much broader english readership governance and institutional risks and challenges in nepal rachana shrestha 2019 12 this report identifies potential reforms that adb could support to reduce governance

ncv t iti examination results 2013 pdf beta atanet - Jul 23 2022

web ncv t iti examination results 2013 3 3 terms is an important element of the handbook it further addresses both the overall notion of system reform at different scales and what is known about particular technologies of systems reform across a variety of settings vocational learning and vet teacher trainer education are discussed from a

ncvt itc result 2013 - Sep 24 2022

web jul 24 2023 title ncv t itc result 2013 author online kptm edu my 2023 07 24 05 35 06 subject ncv t itc result 2013
keywords ncv t itc result 2013 created date

ncvt itc result 2013 uniport edu ng - Jan 29 2023

web jul 24 2023 ncv t itc result 2013 2 9 downloaded from uniport edu ng on july 24 2023 by guest development agenda
equity and inclusion are discussed in a range of ways by the authors and the consideration of the construction of these terms
is an important element of the handbook it further addresses both the overall notion of system reform at different

ncvt mis result 2022 out iti diploma exam result - Oct 26 2022

web september 7 2022 in ncv t ncv t mis result 2022 the national council of vocational training releases the ncv t mis iti results
online at the official website ncvtmis gov in the board conducts the exams in the semester and annual mode students can
check ncv t iti results on this page

t c İstanbul Üniversitesi rektörlüğü sađlık - Dec 28 2022

web 2013 İstanbul Üniversitesi Öğrenci Kültür merkezi 6 genel bilgiler vizyon Öğrenci kültür merkezi nin vizyonu İstan bul
Üniversitesi rektörlüğü sađlık kültür ve spor daire başkanlığı na bađlı olarak milli ve milletler arası kültür faaliyetlerini
desteklemek alanıyla ilgili merkezler ve bi

marksheet verification ncv t mis - Oct 06 2023

web trainee verification before ht trainee profile nac legacy certificate coe certificate download flexi marksheet certificate
flexi semester marksheet certificate dst marksheet before 2019 dst certificate before 2019 ncic legacy certificate

ncvt itc result 2013 pqr uiaf gov co - May 01 2023

web ncv t itc result 2013 getting the books ncv t itc result 2013 now is not type of challenging means you could not isolated
going in imitation of books buildup or library or borrowing from your contacts to entry them this is an entirely easy means to
specifically get lead by on line this online pronouncement ncv t itc result 2013 can be one of

ncvt itc result 2013 whichissed visionaustralia org - Aug 24 2022

web ncv t itc result 2013 about ccc ccc examination for government employees industrial training department kerala ficci pre
budget memorandum 2018 2019 suggestions on tax dictionary com s list of every word of the year punjab police recruitment
2016 17 2017 for constable and iti notification 2018 online application form submission

t c cdn istanbul edu tr - Sep 05 2023

web eğitim Öğretim dersler 25 Şubat 2013 05 haziran 2013 ara sınav vize dönemi 15 nisan 2013 19 nisan 2013 yarıyl sonu
bitirme sınav dönemi 06 haziran 2013 18 haziran 2013 yarıyl sonu bütünleme sınav dönemi 26 haziran 2013 08 temmuz
2013 title microsoft word akadem 335k author unsal created date 10 10 2012 12 25 18

ncvt itc result 2013 uniport edu ng - Feb 15 2022

web apr 27 2023 ncvt itc result 2013 2 8 downloaded from uniport edu ng on april 27 2023 by guest francis gary powers in 1960 the authors discuss the origins of the u 2 its top secret testing its specially designed high altitude cameras and complex life support systems and even the possible use of poison capsules by its pilots if captured

national championships turkey itt 2013 time trial results - Mar 19 2022

web bekir baki akirsan is the winner of national championships turkey itt 2013 before mustafa sayar and feritcan Şamlı

2013 yılı İdare faaliyet raporu İstanbul - Aug 04 2023

web v 1 3 7 malî denetim sonuçları 54 İç denetim faaliyetleri yapılan tespit ve Öneriler 54 denetim faaliyetleri 54 İnceleme faaliyetleri 55 danışmanlık faaliyetleri 55 İzleme faaliyetleri 55 dış denetim 56 2 amaç ve hedefler 56 2 1 amaç ve hedefler 56 2 2 temel politikalar ve Öncelikler 56 3 faaliyetlere İlişkin bilgi ve değerlendirmeler 56

check tamilnadu iti result 2015 tn iti results 2015 jagran - Apr 19 2022

web mar 9 2017 tamilnadu iti result 2015 check tn iti exam results 2015 online on ititraining tn nic in jagran josh no 1 education portal offers all the competitive exam results notifications and other

e certificate verification ncvtmis - Mar 31 2023

web trainee verification before ht trainee profile nac legacy certificate coe certificate download flexi marksheet certificate flexi semester marksheet certificate dst marksheet before 2019 dst certificate before 2019 ncic legacy certificate

maharashtra iti ncvt time table 2018 1st 3rd semester pdf ams - May 21 2022

web training dgt ncvt iti time table 2021 check ncvt iti exam time table iti result 1st 2nd 3rd and 4th semester 2019 at itiresult in ncvt iti odd semester result 2019 declared 1 november 2019 iti result declared ncvt mis iti result 2020 iti resultiti exam 1st 2nd year time table date sheet 2020 exam schedule complete

iti certificate what is it ncvt mis portal eligibility how to check - Nov 26 2022

web dec 1 2022 how to check ncvt mis iti result once students have furnished their course successfully with the semester exams they can check their results in the official portal to apply for the nac iti certificate