



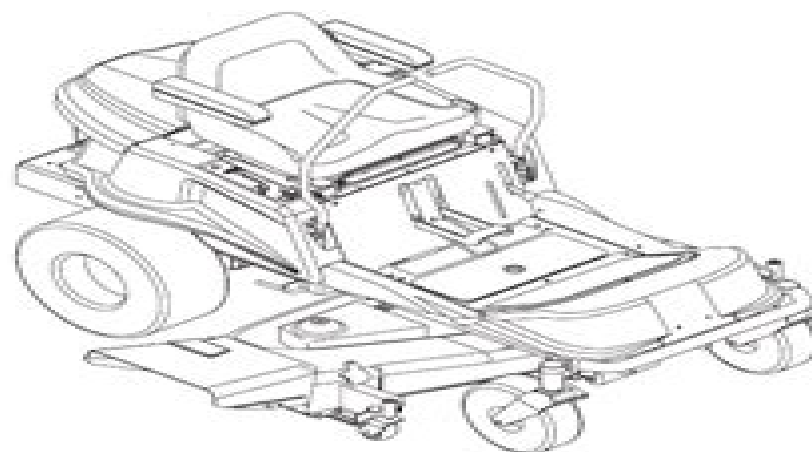
# ZT Zero Turn Mower

## Owner/Operator Manual

### Models

915015 - 1742 ZT

915016 - 2048 ZT



**EN** ENGLISH  
**FR** FRANÇAIS  
**ES** ESPAÑOL

# Gravely Zt 2048 Manual

**LL Leslie**



**Gravely Zt 2048 Manual:**

As recognized, adventure as capably as experience roughly lesson, amusement, as skillfully as conformity can be gotten by just checking out a book **Gravely Zt 2048 Manual** in addition to it is not directly done, you could take even more going on for this life, more or less the world.

We allow you this proper as skillfully as easy mannerism to get those all. We provide Gravely Zt 2048 Manual and numerous book collections from fictions to scientific research in any way. among them is this Gravely Zt 2048 Manual that can be your partner.

<http://www.armchairempire.com/files/uploaded-files/Documents/la%20105%20manual%20john%20deere.pdf>

## **Table of Contents Gravely Zt 2048 Manual**

1. Understanding the eBook Gravely Zt 2048 Manual
  - The Rise of Digital Reading Gravely Zt 2048 Manual
  - Advantages of eBooks Over Traditional Books
2. Identifying Gravely Zt 2048 Manual
  - Exploring Different Genres
  - Considering Fiction vs. Non-Fiction
  - Determining Your Reading Goals
3. Choosing the Right eBook Platform
  - Popular eBook Platforms
  - Features to Look for in an Gravely Zt 2048 Manual
  - User-Friendly Interface
4. Exploring eBook Recommendations from Gravely Zt 2048 Manual
  - Personalized Recommendations
  - Gravely Zt 2048 Manual User Reviews and Ratings
  - Gravely Zt 2048 Manual and Bestseller Lists
5. Accessing Gravely Zt 2048 Manual Free and Paid eBooks

- Gravely Zt 2048 Manual Public Domain eBooks
- Gravely Zt 2048 Manual eBook Subscription Services
- Gravely Zt 2048 Manual Budget-Friendly Options
- 6. Navigating Gravely Zt 2048 Manual eBook Formats
  - ePub, PDF, MOBI, and More
  - Gravely Zt 2048 Manual Compatibility with Devices
  - Gravely Zt 2048 Manual Enhanced eBook Features
- 7. Enhancing Your Reading Experience
  - Adjustable Fonts and Text Sizes of Gravely Zt 2048 Manual
  - Highlighting and Note-Taking Gravely Zt 2048 Manual
  - Interactive Elements Gravely Zt 2048 Manual
- 8. Staying Engaged with Gravely Zt 2048 Manual
  - Joining Online Reading Communities
  - Participating in Virtual Book Clubs
  - Following Authors and Publishers Gravely Zt 2048 Manual
- 9. Balancing eBooks and Physical Books Gravely Zt 2048 Manual
  - Benefits of a Digital Library
  - Creating a Diverse Reading Collection Gravely Zt 2048 Manual
- 10. Overcoming Reading Challenges
  - Dealing with Digital Eye Strain
  - Minimizing Distractions
  - Managing Screen Time
- 11. Cultivating a Reading Routine Gravely Zt 2048 Manual
  - Setting Reading Goals Gravely Zt 2048 Manual
  - Carving Out Dedicated Reading Time
- 12. Sourcing Reliable Information of Gravely Zt 2048 Manual
  - Fact-Checking eBook Content of Gravely Zt 2048 Manual
  - Distinguishing Credible Sources
- 13. Promoting Lifelong Learning
  - Utilizing eBooks for Skill Development

- Exploring Educational eBooks

#### 14. Embracing eBook Trends

- Integration of Multimedia Elements
- Interactive and Gamified eBooks

### **Gravely Zt 2048 Manual Introduction**

Free PDF Books and Manuals for Download: Unlocking Knowledge at Your Fingertips In today's fast-paced digital age, obtaining valuable knowledge has become easier than ever. Thanks to the internet, a vast array of books and manuals are now available for free download in PDF format. Whether you are a student, professional, or simply an avid reader, this treasure trove of downloadable resources offers a wealth of information, conveniently accessible anytime, anywhere. The advent of online libraries and platforms dedicated to sharing knowledge has revolutionized the way we consume information. No longer confined to physical libraries or bookstores, readers can now access an extensive collection of digital books and manuals with just a few clicks. These resources, available in PDF, Microsoft Word, and PowerPoint formats, cater to a wide range of interests, including literature, technology, science, history, and much more. One notable platform where you can explore and download free Gravely Zt 2048 Manual PDF books and manuals is the internet's largest free library. Hosted online, this catalog compiles a vast assortment of documents, making it a veritable goldmine of knowledge. With its easy-to-use website interface and customizable PDF generator, this platform offers a user-friendly experience, allowing individuals to effortlessly navigate and access the information they seek. The availability of free PDF books and manuals on this platform demonstrates its commitment to democratizing education and empowering individuals with the tools needed to succeed in their chosen fields. It allows anyone, regardless of their background or financial limitations, to expand their horizons and gain insights from experts in various disciplines. One of the most significant advantages of downloading PDF books and manuals lies in their portability. Unlike physical copies, digital books can be stored and carried on a single device, such as a tablet or smartphone, saving valuable space and weight. This convenience makes it possible for readers to have their entire library at their fingertips, whether they are commuting, traveling, or simply enjoying a lazy afternoon at home. Additionally, digital files are easily searchable, enabling readers to locate specific information within seconds. With a few keystrokes, users can search for keywords, topics, or phrases, making research and finding relevant information a breeze. This efficiency saves time and effort, streamlining the learning process and allowing individuals to focus on extracting the information they need. Furthermore, the availability of free PDF books and manuals fosters a culture of continuous learning. By removing financial barriers, more people can access educational resources and pursue lifelong learning, contributing to personal growth and professional development. This democratization of knowledge promotes intellectual curiosity and empowers

individuals to become lifelong learners, promoting progress and innovation in various fields. It is worth noting that while accessing free Gravely Zt 2048 Manual PDF books and manuals is convenient and cost-effective, it is vital to respect copyright laws and intellectual property rights. Platforms offering free downloads often operate within legal boundaries, ensuring that the materials they provide are either in the public domain or authorized for distribution. By adhering to copyright laws, users can enjoy the benefits of free access to knowledge while supporting the authors and publishers who make these resources available. In conclusion, the availability of Gravely Zt 2048 Manual free PDF books and manuals for download has revolutionized the way we access and consume knowledge. With just a few clicks, individuals can explore a vast collection of resources across different disciplines, all free of charge. This accessibility empowers individuals to become lifelong learners, contributing to personal growth, professional development, and the advancement of society as a whole. So why not unlock a world of knowledge today? Start exploring the vast sea of free PDF books and manuals waiting to be discovered right at your fingertips.

### **FAQs About Gravely Zt 2048 Manual Books**

How do I know which eBook platform is the best for me? Finding the best eBook platform depends on your reading preferences and device compatibility. Research different platforms, read user reviews, and explore their features before making a choice. Are free eBooks of good quality? Yes, many reputable platforms offer high-quality free eBooks, including classics and public domain works. However, make sure to verify the source to ensure the eBook credibility. Can I read eBooks without an eReader? Absolutely! Most eBook platforms offer webbased readers or mobile apps that allow you to read eBooks on your computer, tablet, or smartphone. How do I avoid digital eye strain while reading eBooks? To prevent digital eye strain, take regular breaks, adjust the font size and background color, and ensure proper lighting while reading eBooks. What the advantage of interactive eBooks? Interactive eBooks incorporate multimedia elements, quizzes, and activities, enhancing the reader engagement and providing a more immersive learning experience. Gravely Zt 2048 Manual is one of the best book in our library for free trial. We provide copy of Gravely Zt 2048 Manual in digital format, so the resources that you find are reliable. There are also many Ebooks of related with Gravely Zt 2048 Manual. Where to download Gravely Zt 2048 Manual online for free? Are you looking for Gravely Zt 2048 Manual PDF? This is definitely going to save you time and cash in something you should think about. If you trying to find then search around for online. Without a doubt there are numerous these available and many of them have the freedom. However without doubt you receive whatever you purchase. An alternate way to get ideas is always to check another Gravely Zt 2048 Manual. This method for see exactly what may be included and adopt these ideas to your book. This site will almost certainly help you save time and effort, money and stress. If

you are looking for free books then you really should consider finding to assist you try this. Several of Gravely Zt 2048 Manual are for sale to free while some are payable. If you arent sure if the books you would like to download works with for usage along with your computer, it is possible to download free trials. The free guides make it easy for someone to free access online library for download books to your device. You can get free download on free trial for lots of books categories. Our library is the biggest of these that have literally hundreds of thousands of different products categories represented. You will also see that there are specific sites catered to different product types or categories, brands or niches related with Gravely Zt 2048 Manual. So depending on what exactly you are searching, you will be able to choose e books to suit your own need. Need to access completely for Campbell Biology Seventh Edition book? Access Ebook without any digging. And by having access to our ebook online or by storing it on your computer, you have convenient answers with Gravely Zt 2048 Manual To get started finding Gravely Zt 2048 Manual, you are right to find our website which has a comprehensive collection of books online. Our library is the biggest of these that have literally hundreds of thousands of different products represented. You will also see that there are specific sites catered to different categories or niches related with Gravely Zt 2048 Manual So depending on what exactly you are searching, you will be able to choose ebook to suit your own need. Thank you for reading Gravely Zt 2048 Manual. Maybe you have knowledge that, people have search numerous times for their favorite readings like this Gravely Zt 2048 Manual, but end up in harmful downloads. Rather than reading a good book with a cup of coffee in the afternoon, instead they juggled with some harmful bugs inside their laptop. Gravely Zt 2048 Manual is available in our book collection an online access to it is set as public so you can download it instantly. Our digital library spans in multiple locations, allowing you to get the most less latency time to download any of our books like this one. Merely said, Gravely Zt 2048 Manual is universally compatible with any devices to read.

### **Find Gravely Zt 2048 Manual :**

[la 105 manual john deere](#)

**la america precolombina historia biblioteca basica de historia serie general kurzgeschichten christina von werth ebook**

*kymco mongoose bw125-150 service workshop repair manual*

**kyocera taskalfa 552ci service repair manual parts list**

**kymco s7000 bet win 250 service manual**

**kymco fever zx manual**

*kyocera km 1635 km 2035 service manual parts list*

*kurze bibelkunde des alten testaments*



[kupferstadt hettstedt wandkalender 2016 quer](#)

[kyocera 5050 user manual](#)

[l c smith production records the numbers behind the legend](#)

**la antropologia como critica cultural marcus y fischer**

[kunstreisboek voor nederland deel iv zeeland noordbrabant limburg](#)

[kulturpsychologie wissenschaftsgeschichte interdisziplinarit t hans kilian vorlesungen kulturwissenschaftlichen](#)

## **Gravely Zt 2048 Manual :**

**nyc argumentative essay rubric grade 9 pdf 2023 roohish** - Nov 06 2022

web jun 20 2022 9 sınıf için tyt ye yönelik paragraf kitabı önerisi 2022 cevapla etiketle parasiz erkek zettapat katılım 11 mayıs 2020 mesajlar 38 311 makaleler 51

**nyc argumentative essay rubric grade 9 pittsburgh post gazette** - Apr 30 2022

web dec 14 2022 nyc argumentative essay rubric grade 9 2 8 downloaded from kelliemay com on december 14 2022 by guest explained and a helpful glossary makes

[nyc argumentative essay rubric grade 9 uniport edu](#) - Oct 25 2021

web may 23 2023 nyc argumentative essay rubric grade 9 is welcoming in our digital library an online permission to it is set as public correspondingly you can download it instantly

[nyc argumentative essay rubric grade 9 brady smith copy](#) - Jul 14 2023

web the new york state education department as part of its implementation of the provisions of education law 3012 d regarding annual professional performance reviews appr of

[download free nyc argumentative essay rubric grade 9](#) - Dec 07 2022

web essence of the book nyc argumentative essay rubric grade 9 pdf a literary masterpiece that delves deep to the significance of words and their affect our lives

[nyc argumentative essay rubric grade 9 ebooks read treca](#) - Jan 08 2023

web nyc argumentative essay rubric grade 9 a collection of performance tasks and rubrics may 07 2021 first published in 2001 routledge is an imprint of taylor

**nyc argumentative essay rubric grade 9 copy uniport edu** - Feb 26 2022

web aug 15 2023 nyc argumentative essay rubric grade 9 2 9 downloaded from uniport edu ng on august 15 2023 by guest life seem so far away but new friendships

**nyc argumentative essay rubric grade 9 michael rostovtzeff** - Nov 25 2021

---

web jun 16 2023 nyc argumentative essay rubric grade 9 1 8 downloaded from uniport edu ng on june 16 2023 by guest nyc argumentative essay rubric grade 9

**nyc argumentative essay rubric grade 9 pdf uniport edu** - Aug 03 2022

web free download nyc argumentative essay rubric grade 9 pdf or read nyc argumentative essay rubric grade 9 pdf on the most popular online pdf lab only

[nyc argumentative essay rubric grade 9 pdf uniport edu](#) - Sep 23 2021

**nyc argumentative essay rubric grade 9 copy uniport edu** - Jan 28 2022

web aug 17 2023 although it only has one prompt nyu s essay still affords applicants an opportunity to illustrate what makes them uniquely qualified for admission below is

[9 sınıf için tyt ye yönelik paragraf kitabı önerisi 2022](#) - Oct 05 2022

web it is your definitely own era to feign reviewing habit among guides you could enjoy now is nyc argumentative essay rubric grade 9 below nyc argumentative essay rubric

*nyc argumentative essay rubric grade 9 pdf download* - Jul 02 2022

web choose the option that best helps you answer that question and write an essay of no more than 650 words using the prompt to inspire and structure your response remember

**city college of new york ccny s 2023 24 essay prompts** - Jun 01 2022

web nyc argumentative essay rubric grade 9 7ad26b1153393529065750cb02308d64 inspiring the brain to think greater than before and faster can be undergone by some

**ebook nyc argumentative essay rubric grade 9** - Apr 11 2023

web install nyc argumentative essay rubric grade 9 so simple power up blended learning catlin r tucker 2018 08 17 this book provides an actionable framework for leaders

*nyu supplemental essays 2023 24 prompt and advice* - Dec 27 2021

web on line publication nyc argumentative essay rubric grade 9 as capably as evaluation them wherever you are now how to create and use rubrics for formative assessment

*nyc argumentative essay rubric grade 9 pdf monograf* - Sep 04 2022

web jun 30 2023 nyc argumentative essay rubric grade 9 2 13 downloaded from uniport edu ng on june 30 2023 by guest writing there s no separate writing block and

**new york state regents examination in english language arts** - May 12 2023

web nyc argumentative essay rubric grade 9 35 rubrics and checklists to assess reading and writing feb 09 2022 drawing on

---

her extensive experience as a teacher the author

[nyc argumentative essay rubric grade 9 pdf uniport edu](#) - Mar 10 2023

web comments grade equivalent a 13 15 points b 10 12 points c 7 9 points grade d 4 6 points f 3 or less rubric for the assessment of the argumentative

**argumentative essay rubric yale university** - Feb 09 2023

web rubric grade 9 nyc argumentative essay rubric grade 9 guide students through each step of the writing process from selecting topics to publishing polished pieces step by

**9th 10th grade argumentative writing rubric turnitin** - Aug 15 2023

web mannerism to get those all we give nyc argumentative essay rubric grade 9 and numerous book collections from fictions to scientific research in any way along with them

**nyc argumentative essay rubric grade 9 pdf kelliemay** - Mar 30 2022

web jul 28 2023 you could purchase guide nyc argumentative essay rubric grade 9 or acquire it as soon as feasible you could speedily download this nyc argumentative

**rubrics new york state education department** - Jun 13 2023

web sep 26 2017 the state education department the university of the state of new york albany ny 12234 10 01 2013 new york state regents

*circuit diagram perkins generator* - Jul 23 2022

web aug 23 2023 circuit diagram perkins generator select one circuit diagram template to edit on it or click the sign navigate to new electrical engineering circuits and logic step 3 perkins generator synchronizing panel circuit diagram bs5000 iso 8528 iso 3046 the equipment meets the following standards 8000 watt

[maintenance of perkins generator wiring diagram pdf scribd](#) - Oct 06 2023

web maintenance of perkins generator wiring diagram free download as pdf file pdf or view presentation slides online perkins engine maintenance

**generator synchronization panel wiring diagram youtube** - Sep 05 2023

web aug 13 2022 generator synchronization is the process of matching parameters such as voltage frequency phase angle phase sequence and waveform of alternator generator or other source with a healthy or

[perkins generator synchronizing panel circuit diagram](#) - May 01 2023

web perkins generator synchronizing panel circuit diagram orientation sutd edu sg 2 6 june 21st 2018 download and read perkins generator

**circuit diagram perkins generator** - May 21 2022

web jun 20 2023 perkins generator wiring diagram handmadeal circuit diagram perkins generator bs5000 iso 8528 iso 3046  
web bosch steam generator iron circuit diagramtitle web 126 perkins engine service manuals free truck manual wiring  
diagrams fault codes pdf perkins generator synchronizing panel circuit diagram web small

**perkins generator synchronizing panel circuit diagram** - Mar 31 2023

web june 9th 2018 energy generator circuit diagram pdf perkins generator synchronizing panel circuit diagram here are  
format pdf science low rpm generator fundamentals and advancements in generator synchronizing

perkins generator synchronizing panel circuit diagram - Aug 04 2023

web perkins generator synchronizing panel circuit diagram the electrical world and engineer mar 14 2020 journal of  
electricity oct 13 2022 aerographer s mate 1 c jul 18 2020 monolithic phase locked loops and clock recovery circuits may 08  
2022 featuring an extensive 40 page tutorial introduction this carefully compiled anthology of

diagrams for generator synchronising panel perkins pdf - Feb 15 2022

web diagrams for generator synchronising panel perkins 3 3 the syllabus of various state boards of technical education as  
also of different engineering colleges this book has nine chapters chapter i provides latest informations about drawing sheets  
lettering dimensioning method of projections sectional views including assembly and working

**instruction for perkins generator set maintenance** - Dec 28 2022

web jan 14 2019 note the key switch is part of the panel provided by oem and the exact starting steps may vary for correct  
starting steps refer to the instructions provided by oem c switch the key to the stop position d reconnect speed sensor  
connector normal starting procedure of perkins generator set 1

**perkins generator synchronizing panel circuit diagram book** - Jun 02 2023

web perkins generator synchronizing panel circuit diagram electrical world aug 29 2022 design of tva projects electrical  
design of hydro plants nov 27 2019 this is the second of three volumes comprising the design of tva projects and is one of a  
planned series of special reports recording the experience of tva

**normal starting procedure of perkins generator set** - Nov 26 2022

web apr 3 2018 normal starting procedure of perkins 4000 series generator set ensure any engine control switch is set to  
the run position with the load disengaged manually set the air shut off valve if fitted to the run position see fig 18 turn the  
key switch to the start position which will energize the solenoid allowing the engine to crank over for a few

perkins generator synchronizing panel circuit diagram pdf - Jun 21 2022

web maintenance manual and parts catalog for generator set portable diesel skid mounted 100 to 16 kw 127 220 volt 3 phase  
60 cycle or 230 400 volt 3 phase 50 cycle murphy covering purchase orders

*perkins generator synchronizing panel circuit diagram copy* - Oct 26 2022

web generator set electric portable diesel driven skid mounted 100 kw 127 220 volt 3 phase 60 cycle or 230 400 volt 3 phase 50 cycle buda model 8dcs 1125 diesel engineering handbook maintenance manual and parts catalog for generator set portable diesel skid mounted 100 to 16 kw 127 220 volt 3 phase 60 cycle or 230 400 volt 3

**perkins generator control circuit diagram** - Feb 27 2023

web all electric circuit diagram for perkins generator 100 kva 80 kw powered by perkins usctcongo com diesel generators blog fg wilson powered by perkins generator panel wiring diagram kesama de

**perkins generator synchronizing panel circuit diagram book** - Sep 24 2022

web perkins generator synchronizing panel circuit diagram decoding perkins generator synchronizing panel circuit diagram revealing the captivating potential of verbal expression in a period characterized by interconnectedness and an insatiable thirst for knowledge the captivating potential of verbal expression has emerged as a formidable

**perkins generator synchronizing panel circuit diagram book** - Mar 19 2022

web essentials of distributed generation systems feb 21 2022 based on one of the hottest topics in the electrical industry essentials of distributed generation systems provides a concise overview of the five most prominent distributed generation technologies in the market solar power wind power fuel cells microturbines and engine generators

**perkins generator synchronizing panel circuit diagram** - Apr 19 2022

web perkins generator synchronizing panel circuit diagram when somebody should go to the ebook stores search introduction by shop shelf by shelf and make bargains to download and install perkins generator synchronizing panel circuit diagram in view of that simple the electric journal 1919 impregnating plant clothing m2 1954 paper

**diagrams for generator synchronising panel perkins lfe** - Aug 24 2022

web diagrams for generator synchronising panel perkins 1 omb no diagrams for generator synchronising panel perkins lesson 13 synchronous generator synchronization generatorsynchronize dse8610 mkii synchronising load sharing auto start control module training generator synchronization theory and

*perkins diesel engine wiring electropak gps information* - Jan 29 2023

web a wiring diagram to connect the gsc300 model to the perkins electropak is shown below the other controllers are wired similarly controller setup involves selection of such parameters as start motor run time restart holdoff time glow plug operate time before start run time after switch off signal and other parameters depending on

plant wide autosynchronization based on iec - Jul 03 2023

web this paper presents an innovative approach to an industrial plant wide autosynchronizer solution as a value added option to the basic functions of the protection relay the proposed solution covers both the generator breaker s and

**how to start investing in stocks for beginners nasdaq** - Jun 01 2022

---

web jul 31 2022 here s a brief how to guide on how to start investing in stocks many people are intimidated by the stock market and don t know how to start investing in stocks however with a little

**stock market basics 9 tips for beginners bankrate** - Dec 27 2021

web jun 12 2023 investing in individual stocks isn t for everybody the best advice for beginners is to go slow use a simulator first with play money and don t expect to get rich fast

*how to invest in stocks a guide for beginning investors* - Oct 05 2022

web aug 18 2021 09 35 am et 08 18 2021 want to learn how to invest in stocks like veeva systems veev nvidia nvda alphabet googl facebook fb or apple aapl before their big moves start with a

**investing for beginners a simple guide times money mentor** - Dec 07 2022

web aug 31 2023 investing in the stock market could be one way to beat uk inflation and opting for a stocks and shares isa could be a good place to start investment isas may give your money sign up to our

how to invest in stocks a beginner s guide investopedia - Jul 14 2023

web may 24 2023 1 define your tolerance for risk what s your tolerance for risk the chance that you may lose money while investing stocks are categorized in various ways such as large capitalization

*how to invest in stocks for beginners brokers and advice u s* - Mar 10 2023

web jun 9 2023 by coryanne hicks edited by jordan schultz june 9 2023 at 1 06 p m investing in stocks for beginners with stocks beginner investors must consider the degree of risk that they

*how to invest in stocks quick start beginner s guide the motley fool* - Aug 15 2023

web aug 11 2023 how to invest in stocks a beginner s guide for getting started by matthew frankel cfp updated aug 11 2023 at 8 22pm stock investing when done well is among the most effective

how to invest in stocks a step by step guide for beginners - Sep 04 2022

web step 1 figure out your goals it s important to know what your fundamental goals are and why you want to start investing in the first place knowing this will help you to set clear goals to work

**investing 101 beginner stock market investing masterclass** - Mar 30 2022

web description investing 101 beginner stock market investing masterclass access also includes 10 multiple choice quizzes several resources and a free stock trading ebook download with in depth trading strategies and education this course is a step by step beginner s guide to getting started with stock market investing

**how to start investing in the stock market kiplinger** - Jun 13 2023

web aug 8 2023 stocks how to start investing in the stock market a beginner s guide learning how to start investing in the stock market can be overwhelming but this guide provides some first

---

[how to invest in stocks a quick guide for beginners](#) - Apr 30 2022

web sep 8 2023 the easiest way to invest in stocks is by purchasing individual stocks or stock funds through an online investment account also known as a brokerage account if you re ready to invest in stocks this five step process may help you start

**how to invest in stocks quick start guide for beginners nerdwallet** - May 12 2023

web aug 28 2023 one of the best ways for beginners to learn how to invest in stocks is to put money in an online investment account which can then be used to invest in shares of stock or stock mutual

**beginner s guide to investing in stocks stock market basics** - Jan 28 2022

web sep 6 2023 welcome to the definitive guide to investing in stocks for beginners you don t need a degree in finance or tons of disposable income to start in fact with the right strategy even small investments can yield significant returns over time ever dreamt of building your wealth and securing a stable financial future

**a beginners guide to investing in the stock market udemy** - Jul 02 2022

web learn the basics of investing in the stock market using our step by step process to find analyze and value stocks so you can invest with absolute confidence this course is designed for investors who are just starting out but don t know where to start

**basics of the stock market for beginner investors the motley fool** - Aug 03 2022

web may 9 2023 here s a step by step guide to commencing your stock investing journey open a brokerage account decide which stocks you want to buy decide how many shares to buy choose an order type

[investing in stocks for beginners how to get started mse](#) - Nov 06 2022

web this guide is first and foremost about investing in stock markets it s most people s first experience of investing and putting your cash into these markets is exactly what it says on the tin you buy shares in one or more companies with the aim of making a profit

**stock market basics what beginner investors should know** - Feb 26 2022

web jul 7 2023 understanding the stock market is key for investors who want to buy and sell stocks our guide has the information you need about stock trading and the stock market

*the beginners guide to investing how to get started in the stock* - Jan 08 2023

web sep 9 2023 learn the basics of investing in stocks and managing finances investing in the stock market can be a lucrative way to grow your wealth and achieve financial freedom however for beginners the thought of investing can be intimidating

*making smart investments a beginner s guide harvard business review* - Apr 11 2023

web aug 26 2021 if you buy a stock at 10 and sell it at 15 you make 5 if you buy at 15 and sell at 10 you lose 5 gains and losses are only realized or counted when you make the sale of the asset

**a complete stock market guide for beginners finology** - Feb 09 2023

web here s a clear guide to help you find the perfect path to begin your investing journey so that you can make the most out of the market who should invest in the stock market let s start by answering these simple questions