



MF3600 SERIES

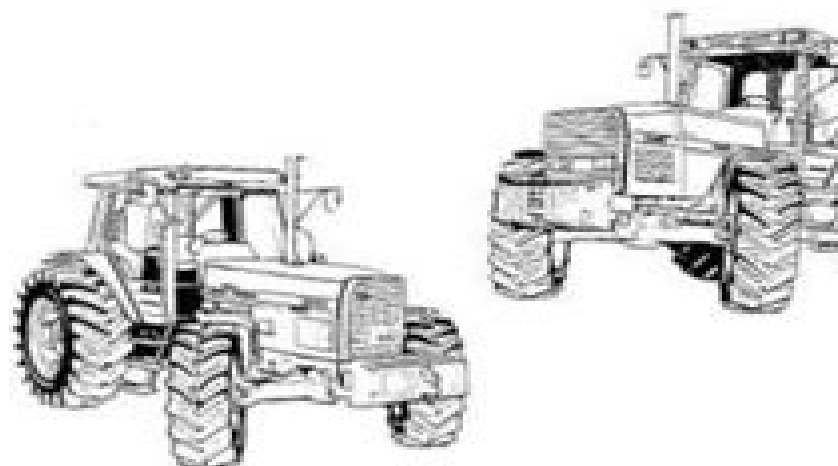


TRACTOR SERIES 3600

WORKSHOP SERVICE MANUAL

CONTENTS

INTRODUCTION	_____
CAB AND EQUIPMENT	_____
SPLITTING THE TRACTOR	_____
ENGINE	_____
GEARBOX	_____
REAR AXLE	_____



Massey Ferguson Manufacturing
Beauvais France

Publication n°1

© Massey Ferguson S.A. All rights reserved Beauvais France, 1994

[Click on line entry above to go directly to relevant Section](#)

Massey Ferguson 4200 Series Service Manual

Anthony S. Fauci



Massey Ferguson 4200 Series Service Manual:

When people should go to the books stores, search commencement by shop, shelf by shelf, it is in reality problematic. This is why we allow the book compilations in this website. It will very ease you to look guide **Massey Ferguson 4200 Series Service Manual** as you such as.

By searching the title, publisher, or authors of guide you in point of fact want, you can discover them rapidly. In the house, workplace, or perhaps in your method can be every best place within net connections. If you object to download and install the Massey Ferguson 4200 Series Service Manual, it is categorically easy then, past currently we extend the belong to to purchase and make bargains to download and install Massey Ferguson 4200 Series Service Manual for that reason simple!

http://www.armchairempire.com/data/publication/index.jsp/Kawasaki_360_Kvf_Quad_Bike_Manual.pdf

Table of Contents Massey Ferguson 4200 Series Service Manual

1. Understanding the eBook Massey Ferguson 4200 Series Service Manual
 - The Rise of Digital Reading Massey Ferguson 4200 Series Service Manual
 - Advantages of eBooks Over Traditional Books
2. Identifying Massey Ferguson 4200 Series Service Manual
 - Exploring Different Genres
 - Considering Fiction vs. Non-Fiction
 - Determining Your Reading Goals
3. Choosing the Right eBook Platform
 - Popular eBook Platforms
 - Features to Look for in an Massey Ferguson 4200 Series Service Manual
 - User-Friendly Interface
4. Exploring eBook Recommendations from Massey Ferguson 4200 Series Service Manual
 - Personalized Recommendations
 - Massey Ferguson 4200 Series Service Manual User Reviews and Ratings
 - Massey Ferguson 4200 Series Service Manual and Bestseller Lists

5. Accessing Massey Ferguson 4200 Series Service Manual Free and Paid eBooks
 - Massey Ferguson 4200 Series Service Manual Public Domain eBooks
 - Massey Ferguson 4200 Series Service Manual eBook Subscription Services
 - Massey Ferguson 4200 Series Service Manual Budget-Friendly Options
6. Navigating Massey Ferguson 4200 Series Service Manual eBook Formats
 - ePub, PDF, MOBI, and More
 - Massey Ferguson 4200 Series Service Manual Compatibility with Devices
 - Massey Ferguson 4200 Series Service Manual Enhanced eBook Features
7. Enhancing Your Reading Experience
 - Adjustable Fonts and Text Sizes of Massey Ferguson 4200 Series Service Manual
 - Highlighting and Note-Taking Massey Ferguson 4200 Series Service Manual
 - Interactive Elements Massey Ferguson 4200 Series Service Manual
8. Staying Engaged with Massey Ferguson 4200 Series Service Manual
 - Joining Online Reading Communities
 - Participating in Virtual Book Clubs
 - Following Authors and Publishers Massey Ferguson 4200 Series Service Manual
9. Balancing eBooks and Physical Books Massey Ferguson 4200 Series Service Manual
 - Benefits of a Digital Library
 - Creating a Diverse Reading Collection Massey Ferguson 4200 Series Service Manual
10. Overcoming Reading Challenges
 - Dealing with Digital Eye Strain
 - Minimizing Distractions
 - Managing Screen Time
11. Cultivating a Reading Routine Massey Ferguson 4200 Series Service Manual
 - Setting Reading Goals Massey Ferguson 4200 Series Service Manual
 - Carving Out Dedicated Reading Time
12. Sourcing Reliable Information of Massey Ferguson 4200 Series Service Manual
 - Fact-Checking eBook Content of Massey Ferguson 4200 Series Service Manual
 - Distinguishing Credible Sources
13. Promoting Lifelong Learning

- Utilizing eBooks for Skill Development
 - Exploring Educational eBooks
14. Embracing eBook Trends
- Integration of Multimedia Elements
 - Interactive and Gamified eBooks

Massey Ferguson 4200 Series Service Manual Introduction

Massey Ferguson 4200 Series Service Manual Offers over 60,000 free eBooks, including many classics that are in the public domain. Open Library: Provides access to over 1 million free eBooks, including classic literature and contemporary works. Massey Ferguson 4200 Series Service Manual Offers a vast collection of books, some of which are available for free as PDF downloads, particularly older books in the public domain. Massey Ferguson 4200 Series Service Manual : This website hosts a vast collection of scientific articles, books, and textbooks. While it operates in a legal gray area due to copyright issues, its a popular resource for finding various publications. Internet Archive for Massey Ferguson 4200 Series Service Manual : Has an extensive collection of digital content, including books, articles, videos, and more. It has a massive library of free downloadable books. Free-eBooks Massey Ferguson 4200 Series Service Manual Offers a diverse range of free eBooks across various genres. Massey Ferguson 4200 Series Service Manual Focuses mainly on educational books, textbooks, and business books. It offers free PDF downloads for educational purposes. Massey Ferguson 4200 Series Service Manual Provides a large selection of free eBooks in different genres, which are available for download in various formats, including PDF. Finding specific Massey Ferguson 4200 Series Service Manual, especially related to Massey Ferguson 4200 Series Service Manual, might be challenging as theyre often artistic creations rather than practical blueprints. However, you can explore the following steps to search for or create your own Online Searches: Look for websites, forums, or blogs dedicated to Massey Ferguson 4200 Series Service Manual, Sometimes enthusiasts share their designs or concepts in PDF format. Books and Magazines Some Massey Ferguson 4200 Series Service Manual books or magazines might include. Look for these in online stores or libraries. Remember that while Massey Ferguson 4200 Series Service Manual, sharing copyrighted material without permission is not legal. Always ensure youre either creating your own or obtaining them from legitimate sources that allow sharing and downloading. Library Check if your local library offers eBook lending services. Many libraries have digital catalogs where you can borrow Massey Ferguson 4200 Series Service Manual eBooks for free, including popular titles. Online Retailers: Websites like Amazon, Google Books, or Apple Books often sell eBooks. Sometimes, authors or publishers offer promotions or free periods for certain books. Authors Website Occasionally, authors provide excerpts or short stories for free on their websites. While this might not be the Massey Ferguson 4200 Series Service Manual full book , it can give you a taste

of the authors writing style. Subscription Services Platforms like Kindle Unlimited or Scribd offer subscription-based access to a wide range of Massey Ferguson 4200 Series Service Manual eBooks, including some popular titles.

FAQs About Massey Ferguson 4200 Series Service Manual Books

How do I know which eBook platform is the best for me? Finding the best eBook platform depends on your reading preferences and device compatibility. Research different platforms, read user reviews, and explore their features before making a choice. Are free eBooks of good quality? Yes, many reputable platforms offer high-quality free eBooks, including classics and public domain works. However, make sure to verify the source to ensure the eBook credibility. Can I read eBooks without an eReader? Absolutely! Most eBook platforms offer web-based readers or mobile apps that allow you to read eBooks on your computer, tablet, or smartphone. How do I avoid digital eye strain while reading eBooks? To prevent digital eye strain, take regular breaks, adjust the font size and background color, and ensure proper lighting while reading eBooks. What the advantage of interactive eBooks? Interactive eBooks incorporate multimedia elements, quizzes, and activities, enhancing the reader engagement and providing a more immersive learning experience. Massey Ferguson 4200 Series Service Manual is one of the best book in our library for free trial. We provide copy of Massey Ferguson 4200 Series Service Manual in digital format, so the resources that you find are reliable. There are also many Ebooks of related with Massey Ferguson 4200 Series Service Manual. Where to download Massey Ferguson 4200 Series Service Manual online for free? Are you looking for Massey Ferguson 4200 Series Service Manual PDF? This is definitely going to save you time and cash in something you should think about.

Find Massey Ferguson 4200 Series Service Manual :

[kawasaki 360 kvf quad bike manual](#)

[kawasaki jet ski 550 service manuals](#)

[kawasaki majave 250 1989 service manual](#)

[kawasaki ex650 2009 factory service repair manual](#)

[kawasaki mule 550 2010 service manual](#)

[kawasaki 1100zxi 1996 factory service repair manual](#)

[kawasaki fd501v manual](#)

[kawasaki ninja zx636 manual](#)

[kawasaki stx manual](#)

kawasaki er 6n abs 2007 factory service repair manual

[kawasaki 3010 4x4 mule parts manual](#)

kawasaki mule manual

kawasaki 1986 js550 jet ski service manual

katzen sind engel wandkalender 2016

[kawasaki kbl26a owners manual](#)

Massey Ferguson 4200 Series Service Manual :

manuel de survie catastrophes naturelles risques - Feb 02 2022

web manuel de survie catastrophes naturelles risques médecine et armées le guide de la survie en ville l intégrale z world war z guide de survie en territoire zombie

un manuel de survie en cas de catastrophe le temps - Feb 14 2023

web jan 31 2002 outre les conseils sur l attitude adéquate à adopter en cas d événement catastrophique le manuel donne également des recommandations pour prévenir les

[manuel de survie catastrophes naturelles risques](#) - Jan 01 2022

web manuel de survie catastrophes naturelles risques revue forestière française abécédaire de la petite paumée bulletin de documentation récits et représentations

manuel de survie catastrophes naturelles risques cultura - Jun 18 2023

web manuel de survie catastrophes naturelles risques technologiques attentats comment réagir par collectif aux éditions albin michel Élaboré par des professionnels ce

manuel de survie catastrophes naturelles risques download - Oct 30 2021

web catastrophes naturelles récurrentes les risques engendrés par l interaction constante entre les activités humaines et l environnement sont nombreux de atlas des risques

manuel de survie catastrophes naturelles risques pdf - Aug 20 2023

web manuel de survie catastrophes naturelles risques republic of madagascar feb 15 2021 madagascar is exposed to a multitude of climate hazards such as tropical cyclones droughts and floods which cause significant damage to key sectors thereby

législation préparation et riposte en cas de catastrophe ifrc - Apr 16 2023

web emmv manuel de gestion des urgences au victoria fonden fonds pour les catastrophes naturelles gfdrr fonds mondial

pour la réduction des risques de

manuel de survie catastrophes naturelles risques - May 05 2022

web achetez et téléchargez ebook manuel de survie catastrophes naturelles risques technologiques attentats comment réagir boutique kindle essais amazon fr

manuel de survie catastrophes naturelles risques download - Nov 11 2022

web manuel de survie catastrophes naturelles risques le cadre juridique de la gestion des risques naturels apr 28 2021 la politique de prévention des risques naturels s inscrit

manuel de survie catastrophes naturelles risque catalogue - Oct 10 2022

web catalogue en ligne médiathèque du lycée notre dame de sion médiathèque du lycée notre dame de sion base de données du cdi vous pouvez rechercher sur ces pages

manueldesurviecata strophesnaturellesri sques - Jun 06 2022

web manuel de survie catastrophes naturelles risques technologiques attentats comment reagir quid an explanatory guide to the cartagena protocol on biosafety

manueldesurviecatastrophesnaturellesrisques download - Nov 30 2021

web récits et représentations des catastrophes depuis l antiquité revue forestière française la recherche manuel de survie catastrophes naturelles risques technologiques

manuel de survie catastrophes naturelles risques technologiques - Aug 08 2022

web Élaboré par des professionnels ce manuel permet de faire face avec pertinence sur le plan matériel et psychologique aux risques actuels qu il s agisse d attentats ou de

manuel de survie catastrophes naturelles risques - Sep 09 2022

web manuel de survie catastrophes naturelles risques technologiques attentats comment reagir catastrophes naturelles risques technologiques attentats

manuel de survie catastrophes naturelles risques - Dec 12 2022

web manuel de survie catastrophes naturelles risques when somebody should go to the books stores search foundation by shop shelf by shelf it is in point of fact problematic

manueldesurviecatastrophesnaturellesrisques wikimid2 aapg - Apr 04 2022

web des paroles aux actes guide de mise en oeuvre pour la gestion des catastrophes liées à l eau et pour la coopération transfrontière dans ce domaine sciences et environnement

manuel de survie catastrophes naturelles risques - May 17 2023

web catastrophes naturelles risques technologiques attentats comment réagir manuel de survie yves tyrode jean luc queyla

collectif albin michel des milliers de livres

manuel de survie catastrophes naturelles risques - Jan 13 2023

web throws at you manuel de survie catastrophes naturelles risques technologiques attentats comment reagir may 27 2022

Élaboré par des professionnels ce

pdf manuel de survie catastrophes naturelles risques - Sep 28 2021

web manuel de survie catastrophes naturelles risques climat et risques naturels la suisse en mouvement aug 02 2022 quels seront les impacts d un changement

manuel de survie catastrophes naturelles risque catalogue - Mar 15 2023

web présentation de l éditeur Élaboré par des professionnels ce manuel permet de faire face avec pertinence sur le plan matériel et psychologique aux risques actuels qu il

catastrophes naturelles l oms appelle à gérer les cadavres - Mar 03 2022

web sep 15 2023 le cicr la ficr et l oms exhortent toutes les parties à un conflit et les intervenants en cas de catastrophe à respecter les principes établis en matière de

manuel de survie catastrophes naturelles risques - Jul 07 2022

web élaboré par des professionnels ce manuel permet de faire face avec pertinence sur le plan matériel et psychologique aux risques actuels qu il s agisse d attentats ou de

manuel de survie catastrophes naturelles risques decitre - Jul 19 2023

web jan 30 2002 résumé Élaboré par des professionnels ce manuel permet de faire face avec pertinence sur le plan matériel et psychologique aux risques actuels qu il

ecs 1501 gimmenotes - Apr 29 2022

web first semester ecs1501 18 s1 unisa ac za second semester ecs1501 18 s2 unisa ac za you mayalso contact the administrative coordinator at the department

ecs1501 exam questions and solutions 2021 pdf course hero - Aug 02 2022

web economics 1a practice questions answers year 2021 1 1 scarcity exists 1 when things are available only in small quantities 2 when resources are insufficient to

ecs150 project 1 answered kali papers - Dec 26 2021

web get accurate answer for ecs150 project 1 answered from our experts at an affordable price buy custom essay research papers and get it done fast

ecs1501 assessment 10 expected questions and answers for - Jul 01 2022

web may 17 2022 course ecs1501 economics ia ecs1501 institution university of south africa unisa this document is a

compilation of ecs1501 assessment 10 expected

ecs 1501 practise questions and answers studocu - Jan 07 2023

web practice questions answers 1 scarcity exists 1 when things are available only in small quantities 2 when resources are insufficient to produce all the desired goods

answers for ecs1501 2013 pdf pdf support ortax - Dec 06 2022

web answers for ecs1501 2013 pdf pdf support ortax org created date 9 1 2023 4 02 05 am

ecs1501 assignment 8 expected questions and answers - Apr 10 2023

web apr 27 2022 this document contains expected questions and answers for your ecs assignment 1501 assignment 8 compiled from over 5 assignment takers the solutions

ecs1501 assignment 2 semester 2 2020 817792 stuvia - Oct 04 2022

web jun 27 2020 economics for south african students ecs1501 assignment 2 semester 2 2020 unique code complete answers for ecs1501 assignment 2 including

today s connections answers and hints for wednesday - Nov 24 2021

web 2 days ago connections answers for september 13 spoiler alert don t scroll any further down the page until you re ready to find out today s connections answers this is your

ecs 1501 assignment 3 comprehensive summary - Nov 05 2022

web apr 20 2019 university of south africa unisa complete answers for ecs1501 assignment 3 semester 1 2019 answers come with full description of correct and all

ecs1501 economics ia studynotesunisa - Jul 13 2023

web free ecs1501 exam packs summaries notes question papers and memoranudms unisa students all economics resource notes are donated by previous students skip to

giants continue to search for answers at offensive line - Oct 24 2021

web 1 day ago east rutherford n j the new york giants have been at it now for over a decade in a seemingly never ending quest to fix their offensive line co owner john

ecs1501 study guide semester 1 economics 1a only study - Sep 03 2022

web note answers are provided at the end of this learning unit t f 1 scarcity and choice are central elements of economics 2 scarcity is a problem in poor countries only 3 the

ecs150 project1 solved ankitcodinghub - Jan 27 2022

web mar 28 2015 ankitcodinghub ecs150 project1 solved all about programming languages email protected whatsapp 1 419 877 7882 get quote for homework help

ecs 1501 economics 1a university of south africa - Mar 09 2023

web access study documents get answers to your study questions and connect with real tutors for ecs 1501 economics 1a at university of south africa upload to study expert help

github dperano ecs150p1 ecs 150 project 1 - Feb 25 2022

web a tag already exists with the provided branch name many git commands accept both tag and branch names so creating this branch may cause unexpected behavior

ecs1501 economics ia facebook - May 31 2022

web ecs1501 economics ia

ecs1501 unisa economics studocu - Jun 12 2023

web studying ecs1501 economics at university of south africa on studocu you will find 138 summaries 113 practice materials 107 lecture notes and much more for ecs1501

ecs1501 multiple choice questions answers 2023 stuvia - Aug 22 2021

web feb 27 2021 a document containing over 570 multiple choice question answers for ecs1501 the answers were checked using memo s and feedback provided by unisa

ecs1501 tl202 2020 1 pdf ecs1501 202 1 2020 tutorial - Mar 29 2022

web ecs1501 202 3 4 5 the correct alternative is 1 the marginal product of labour is the additional output produced by the additional unit of labour in employing the fifth labourer

assignment 13 quiz solutions to ecs1501 ecs1501 studocu - Feb 08 2023

web assignment 13 quiz solutions to ecs1501 quiz solutions answers for ecs1501 module economics ecs1501 students shared 526 documents in this course 120ex1 notes

ecs 1501 assignment 1 semester 2 2020 ecs1501 stuvia - Jul 21 2021

web jul 1 2020 ecs 1501 assignment 1 semester 2 2020 the document contains question and answers for ecs1501 semester 2 2020 assignment and explanations of the critical

ecs1501 economics ia gimmenotes - Sep 22 2021

web ecs1501 economics basics ecs1501 exam pack 2018 ecs1501 exam pack and notes ecs1501 notes ecs1501 reviewsheet ecs1501 study guide semester 1

ecs1501 exam may 2013 pdf this multiple choice - May 11 2023

web oct 21 2018 view test prep ecs1501 exam may 2013 pdf from ecs 1501 at university of south africa this multiple choice examination paper consists of 20 pages plus

previous exam papers and solutions university of - Aug 14 2023

web good day please mail me previous exam papers and solutions for ecs1501 euc1501 fac1502 welcome 2013 10 45am registered 9 years ago posts 1 if i can

macmillan - Aug 06 2023

web best overall first certificate book straight to first roy norris macmillan straight to first is a classic course book written by cambridge exam preparation guru roy norris it

ready for b2 first 4th edition macmillan education - Oct 08 2023

web what makes it special student s app on the go practice a unique student s app offers flexible on the go practice of the language covered in each unit 2

skills for first certificate listening and speaking fce - Apr 02 2023

web the features of this volume include a systematic approach to word formation a focus on grammar providing essential fc grammar practice a list of collocations and patterns

macmillan first preparation online macmillan macmillan - May 23 2022

web apr 22 2015 first certificate language practice with key pdf file size 110 91 mb added by hitttsn 04 22 2015 01 31 info modified 09 09 2019 12 08 macmillan heinemann

the best first certificate books breakout english - Jul 05 2023

web en uygun first certificate language practice cd rom with key new macmillan ürün ve modelleri macmillan elt markası ve macmillan

skills for first certificate use of english teacher book - Jan 31 2023

web feb 27 2014 publisher macmillan education 2003 paperback 49 p skills for first certificate listening and speaking provides thorough and comprehensive training in

language practice new edition macmillan education - Jun 04 2023

web feb 27 2014 suitable for the updated fce exam 2008 publisher macmillan education 2003 paperback 113 p the features of this volume include recorded interviews with

first certificate language practice cd rom with - May 03 2023

web aşağıdaki sınav takvimleri sınavların yapılmakta olduğu günleri göstermektedir bulunduğunuz bölgedeki sınav tarihlerini öğrenmek için yetkili sınav merkeziniz ile

vince michael first certificate language practice with key - Mar 21 2022

web view details request a review learn more

cambridge first certificate b2 exam preparation course in mc - Feb 17 2022

web alla fine mi imbatto incidentalmente presso first certificate trainer practice tests with answers alla fine lo compro perchè

mi aveva colpito più di altri e mi sembrava il più
first certificate online corsi web - Nov 16 2021

vince michael first certificate language practice with key pdf - Jan 19 2022

web first certificate online il first certificate è una certificazione della conoscenza della lingua inglese per stranieri riconosciuta a livello internazionale per questo si tratta di un

fce skills for first certificate writing macmillan pdf scribd - Aug 26 2022

web jun 12 2016 first certificate language practice pdf file size 40 14 mb added by baenzo piliu 06 12 2016 23 34 info modified 09 18 2019 12 39 4th edition with key

first certificate star practice book grammar and vocabulary - Oct 28 2022

web the constant gardener a novel john le carré fce skills for first certificate writing macmillan free download as pdf file pdf or read online for free skills for fce

course information macmillan education - Sep 07 2023

web first certificate language practice is the reference and practice book for students at fce b2 level now in full colour this new edition retains all the original features which make

first certificate language practice language learning - Sep 26 2022

web download view first certificate star practice book grammar and vocabulary macmillan as pdf for free

first certificate trainer practice tests with answers con 3 cd - Dec 18 2021

first certificate language practice google books - Dec 30 2022

web first certificate star offers teenagers and young adults a comprehensive package to prepare them for the first certificate in english fce exam publisher macmillan

first certificate star practice book grammar and vocabulary - Jul 25 2022

web objetivo preparar adecuadamente el examen cambridge english first para obtener el certificado oficial del nivel b2 destinatarios cualquier persona que tenga un nivel b1

mann malcolm skills for first certificate sciarium - Nov 28 2022

web feb 21 2023 author vince michael publisher macmillan isbn 978 0 2307 2708 3 date 2009 4th ed pages 352 format pdf size 40 1mb this book is designed to

download mann m taylore knowles s skills for first certificate - Apr 21 2022

web first certificate is ideal for people who want to use english for study or work thousands of employers and academic

institutions all over the world accept fce our b2 cambridge

vince michael first certificate language practice sciarium - Jun 23 2022

web nov 10 2009 fce fce use of english mann m taylore knowles s skills for first certificate use of english student s book and teacher s book rar file size 50 66 mb

b2 first için sınav tarihleri cambridge english - Mar 01 2023

web key features fce grammar fully explained and extensively practiced through a variety of exercises in the fce exam style comprehensive coverage of key lexical areas