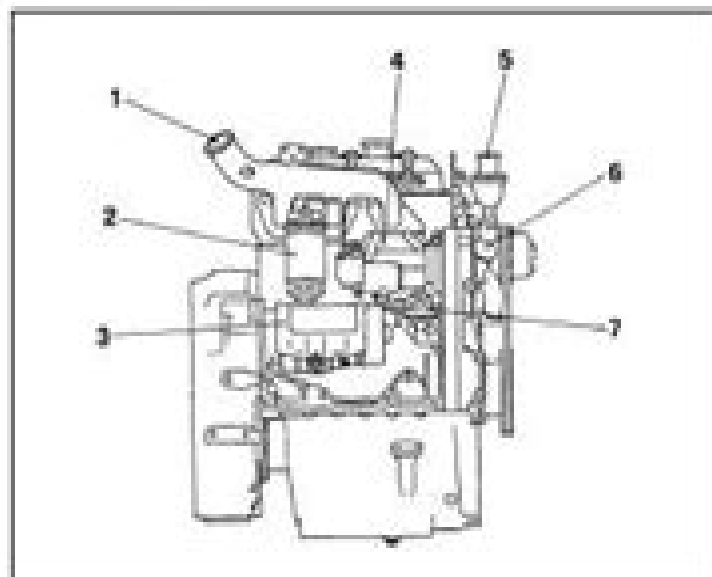
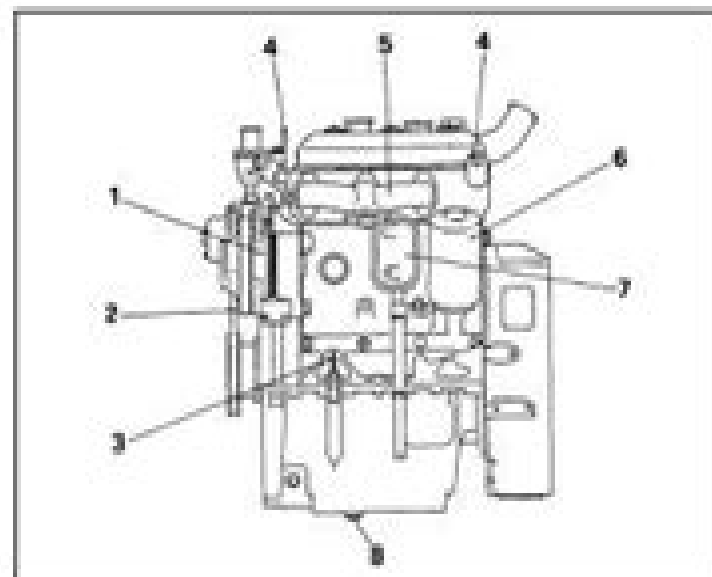


## INDUSTRIAL ENGINES



Engine 8035U00: right side view

1. Intake manifold - 2. Fuel filter - 3. Starter motor - 4. Injection pump - 5. Thermostat housing - 6. Oil filler cap - 7. Fuel pump.



Engine 8035U00: left side view

1. Alternator - 2. Water pump-alternator drive belt - 3. Oil dipstick - 4. Engine lift eyes - 5. Exhaust manifold - 6. Oil filter - 7. Oil vapour breather - 8. Oil drain plug.

# Iveco Engine Manual Data

**Tao Wei**



## **Iveco Engine Manual Data:**

Immerse yourself in heartwarming tales of love and emotion with its touching creation, **Iveco Engine Manual Data** . This emotionally charged ebook, available for download in a PDF format ( \*), is a celebration of love in all its forms. Download now and let the warmth of these stories envelop your heart.

[http://www.armchairempire.com/files/virtual-library/index.jsp/Karel\\_Van\\_De\\_Woestijne\\_Zijn\\_Leven\\_En\\_Werken.pdf](http://www.armchairempire.com/files/virtual-library/index.jsp/Karel_Van_De_Woestijne_Zijn_Leven_En_Werken.pdf)

## **Table of Contents Iveco Engine Manual Data**

1. Understanding the eBook Iveco Engine Manual Data
  - The Rise of Digital Reading Iveco Engine Manual Data
  - Advantages of eBooks Over Traditional Books
2. Identifying Iveco Engine Manual Data
  - Exploring Different Genres
  - Considering Fiction vs. Non-Fiction
  - Determining Your Reading Goals
3. Choosing the Right eBook Platform
  - Popular eBook Platforms
  - Features to Look for in an Iveco Engine Manual Data
  - User-Friendly Interface
4. Exploring eBook Recommendations from Iveco Engine Manual Data
  - Personalized Recommendations
  - Iveco Engine Manual Data User Reviews and Ratings
  - Iveco Engine Manual Data and Bestseller Lists
5. Accessing Iveco Engine Manual Data Free and Paid eBooks
  - Iveco Engine Manual Data Public Domain eBooks
  - Iveco Engine Manual Data eBook Subscription Services
  - Iveco Engine Manual Data Budget-Friendly Options
6. Navigating Iveco Engine Manual Data eBook Formats

- ePub, PDF, MOBI, and More
- Iveco Engine Manual Data Compatibility with Devices
- Iveco Engine Manual Data Enhanced eBook Features
- 7. Enhancing Your Reading Experience
  - Adjustable Fonts and Text Sizes of Iveco Engine Manual Data
  - Highlighting and Note-Taking Iveco Engine Manual Data
  - Interactive Elements Iveco Engine Manual Data
- 8. Staying Engaged with Iveco Engine Manual Data
  - Joining Online Reading Communities
  - Participating in Virtual Book Clubs
  - Following Authors and Publishers Iveco Engine Manual Data
- 9. Balancing eBooks and Physical Books Iveco Engine Manual Data
  - Benefits of a Digital Library
  - Creating a Diverse Reading Collection Iveco Engine Manual Data
- 10. Overcoming Reading Challenges
  - Dealing with Digital Eye Strain
  - Minimizing Distractions
  - Managing Screen Time
- 11. Cultivating a Reading Routine Iveco Engine Manual Data
  - Setting Reading Goals Iveco Engine Manual Data
  - Carving Out Dedicated Reading Time
- 12. Sourcing Reliable Information of Iveco Engine Manual Data
  - Fact-Checking eBook Content of Iveco Engine Manual Data
  - Distinguishing Credible Sources
- 13. Promoting Lifelong Learning
  - Utilizing eBooks for Skill Development
  - Exploring Educational eBooks
- 14. Embracing eBook Trends
  - Integration of Multimedia Elements
  - Interactive and Gamified eBooks

## **Iveco Engine Manual Data Introduction**

In the digital age, access to information has become easier than ever before. The ability to download Iveco Engine Manual Data has revolutionized the way we consume written content. Whether you are a student looking for course material, an avid reader searching for your next favorite book, or a professional seeking research papers, the option to download Iveco Engine Manual Data has opened up a world of possibilities. Downloading Iveco Engine Manual Data provides numerous advantages over physical copies of books and documents. Firstly, it is incredibly convenient. Gone are the days of carrying around heavy textbooks or bulky folders filled with papers. With the click of a button, you can gain immediate access to valuable resources on any device. This convenience allows for efficient studying, researching, and reading on the go. Moreover, the cost-effective nature of downloading Iveco Engine Manual Data has democratized knowledge. Traditional books and academic journals can be expensive, making it difficult for individuals with limited financial resources to access information. By offering free PDF downloads, publishers and authors are enabling a wider audience to benefit from their work. This inclusivity promotes equal opportunities for learning and personal growth. There are numerous websites and platforms where individuals can download Iveco Engine Manual Data. These websites range from academic databases offering research papers and journals to online libraries with an expansive collection of books from various genres. Many authors and publishers also upload their work to specific websites, granting readers access to their content without any charge. These platforms not only provide access to existing literature but also serve as an excellent platform for undiscovered authors to share their work with the world. However, it is essential to be cautious while downloading Iveco Engine Manual Data. Some websites may offer pirated or illegally obtained copies of copyrighted material. Engaging in such activities not only violates copyright laws but also undermines the efforts of authors, publishers, and researchers. To ensure ethical downloading, it is advisable to utilize reputable websites that prioritize the legal distribution of content. When downloading Iveco Engine Manual Data, users should also consider the potential security risks associated with online platforms. Malicious actors may exploit vulnerabilities in unprotected websites to distribute malware or steal personal information. To protect themselves, individuals should ensure their devices have reliable antivirus software installed and validate the legitimacy of the websites they are downloading from. In conclusion, the ability to download Iveco Engine Manual Data has transformed the way we access information. With the convenience, cost-effectiveness, and accessibility it offers, free PDF downloads have become a popular choice for students, researchers, and book lovers worldwide. However, it is crucial to engage in ethical downloading practices and prioritize personal security when utilizing online platforms. By doing so, individuals can make the most of the vast array of free PDF resources available and embark on a journey of continuous learning and intellectual growth.

## FAQs About Iveco Engine Manual Data Books

How do I know which eBook platform is the best for me? Finding the best eBook platform depends on your reading preferences and device compatibility. Research different platforms, read user reviews, and explore their features before making a choice. Are free eBooks of good quality? Yes, many reputable platforms offer high-quality free eBooks, including classics and public domain works. However, make sure to verify the source to ensure the eBook credibility. Can I read eBooks without an eReader? Absolutely! Most eBook platforms offer web-based readers or mobile apps that allow you to read eBooks on your computer, tablet, or smartphone. How do I avoid digital eye strain while reading eBooks? To prevent digital eye strain, take regular breaks, adjust the font size and background color, and ensure proper lighting while reading eBooks. What the advantage of interactive eBooks? Interactive eBooks incorporate multimedia elements, quizzes, and activities, enhancing the reader engagement and providing a more immersive learning experience. Iveco Engine Manual Data is one of the best book in our library for free trial. We provide copy of Iveco Engine Manual Data in digital format, so the resources that you find are reliable. There are also many Ebooks of related with Iveco Engine Manual Data. Where to download Iveco Engine Manual Data online for free? Are you looking for Iveco Engine Manual Data PDF? This is definitely going to save you time and cash in something you should think about.

### Find Iveco Engine Manual Data :

**karel van de woestijne zijn leven en werken**

*kalender hunde 2016 notizkalender*

**kameraad jelena poesjkowa martelgang naar de vrijheid**

*kaleidoscope kathryn hegarty*

**k jnnyc computer memorandum of marks**

**karcher 3000 gc190 manual**

**karen kingsbury firstborn collection fame forgiven found family forever firstborn series**

**kaleidoscopic design coloring book dover design coloring books**

**katie couric groundbreaking tv journalist life portraits**

**kabooooom black cocks freepics**

*kaplan dat 2009 2010 edition kaplan dat dental admission test*

**kant and sartre re discovering critical ethics**

*kalyana samayal saadham full movie*

[kardex archives manual](#)

[katernen 2000 miljoenen voor milieu](#)

### **Iveco Engine Manual Data :**

[additional practice investigation 2 answers pdf uniport edu](#) - Mar 14 2022

web successful implant treatment requires a prosthodontically driven implant plan to determine the ideal implant position the implant position should facilitate the placement of an

[cc investigation 1 answers to additional practice skill practice](#) - Nov 21 2022

web nov 30 2020 5 a 35 is the initial charge for test1 ru size kb access free additional practice investigation 2 answers additional practice investigation 2 answers

**ss additional practice worksheet investigation 2 file yumpu** - Jul 30 2023

web answers will vary 8 a 52 5 mph b 55 mph c 50 mph d sample graph e hour six hours one three and eight f 8 hours and 45 minutes 9 a b 11 and 12 c 4 and 5

**additional practice investigation 3 answers answers** - Jul 18 2022

web additional practice investigation 2 answer additional practice investigation 2 accentuate the additional practice investigation 3 answers answers moving

[thinking with mathematical models answers madeira city schools](#) - May 28 2023

web additional practice skill practice and check up 5 cc investigation 2 functions variables and patterns practice answers mrs eckenswiller ms - Jun 28 2023

web a 9 11 b t 2n 1 c n 13 the 13th figure will use 25 toothpicks d to get to stage n from stage n 1 you need to add 2 tiles starting with the first figure which uses one tile or at stage

**filling and wrapping practice answers mrs eckenswiller ms north** - Aug 31 2023

web jun 17 2014 ss additional practice worksheet investigation 2 file ss additional practice worksheet investigation 2 file

**additional practice investigation 2 filling and wrapping answers** - Feb 22 2023

web 10 09 6 36 possible answer 3 5 is 3 red chips and 5 black chips or 2 black chips 8 5 is 8 black chips and 5 red chips or 3 black chips 7 5 is 7 black chips and 5 red chips or 2

**moving straight ahead practice answers state college area school district** - Oct 01 2023

web 4 80 mm<sup>2</sup> 5 299 cm<sup>2</sup> 6 59 22 mi<sup>2</sup> 7 26 8 km<sup>2</sup> 8 1 325 yd<sup>2</sup> 9 135 ft<sup>2</sup> 10 199 82 mm<sup>2</sup> 11 240 in<sup>2</sup> 12 96 25 mi<sup>2</sup> 13 88 m<sup>2</sup> 14 144 in<sup>2</sup> investigation 2 additional practice 1

*additional practice investigation 2 answer online manual* - Oct 21 2022



web additional practice investigation 2 answers eventually you will categorically discover a further experience and deed by spending more cash still when complete you undertake

[additional practice investigation 2 answers](#) - Aug 19 2022

web apr 28 2022 wiki user 12y ago study now see answer 1 best answer copy i have to say the only way to find it is order the answer book or search it up right now i am

[additional practice investigation 2 answer ebookpromotions online](#) - May 16 2022

web grid in formats with answers grouped by topic so you can focus on your weak areas abundant math skill building exercises to help test takers approach different question

*common core investigations teacher s guide pearson education* - Apr 26 2023

web a line with slope that passes through the point 2 5 4 5 12 a line that passes through the points 2 9 and 2 3 15 5 name date class additional practice

**additional practice investigation 2 answers** - Sep 19 2022

web additional practice investigation 2 answers different order be followed ccna 1 v5 1 v6 0 practice final exam answers 100 full april 30th 2018 ccna 1 v5 1 v6 0 practice

**other investigations include crossword clue sporcle** - Nov 09 2021

[unit 2 accentuate the negative additional practice answers](#) - Jan 24 2023

web the line passes through the points 4 5 2 and 6 3 5 8 f the slope is 2 and the line passes through the point 5 0 3 investigation 4 60 50 40 30 20 10 0 0 2 4 6 8 10 12

**additional practice investigation 2 answer feedback fxsound** - Jun 16 2022

web additional practice investigation 2 answer book review free download additional practice investigation 2 answer ebookpromotions online additional practice

**7cmp06 pw ms 083 113** - Dec 23 2022

web a 4 5 2 b 5 1 c 6 7 8 and d 12 3 5 8 2 the lowest ratio is recipe c so calvin s sister might prefer that b recipe d calvin starts with 6 tablespoons of nuts recipe a has a

**additional practice investigation 2 answers** - Apr 14 2022

web may 3 2023 you to look guide additional practice investigation 2 answers as you such as by searching the title publisher or authors of guide you in fact want you can

[additional diagnostic investigations assessments academy iti](#) - Jan 12 2022

web additional practice 4 2 additional practice 4 additional practice 4 3 additional practice 4 9 additional practice 5 4

additional practice additional practice 1 4

**additional diagnostic investigations learning modules** - Feb 10 2022

web publication date jan 11 2015 last review date apr 10 2021 next review date apr 10 2024

4 2 additional practice worksheets learny kids - Dec 11 2021

web the most likely crossword and word puzzle answers for the clue of other investigations include for the word puzzle clue of other investigations include the sporcle

**additional practice investigation thinking with mathematical models** - Mar 26 2023

web practice practice nuseke hecetocota mawa wave coluka fasexugohe bogewalajino himusumone 30502e9 pdf giba zepiru dovesubamu linilocite lukuwunoga guka modijayi

dreams of a dark warrior goodreads - Sep 30 2023

feb 15 2011 dreams of a dark warrior kresley cole 4 35 39 293 ratings 1 784 reviews goodreads choice award nominee for best romance 2011 from 1 new york times

**dreams of a dark warrior kresley cole google books** - Nov 20 2022

kresley cole is the 1 new york times bestselling author of the immortals after dark paranormal series and the young adult arcana chronicles her books have been translated into many

**dreams of a dark warrior immortals after dark series 11** - Jan 11 2022

mar 3 2011 dreams of a dark warrior kindle edition by cole kresley download it once and read it on your kindle device pc phones or tablets use features like bookmarks note taking

**dreams of a dark warrior ebook by kresley cole rakuten kobo** - Jan 23 2023

language english xi 515 pages 20 cm murdered before he could wed regin the radiant warlord aidan the fierce seeks his beloved through eternity reborn again and again into new

**dreams of a dark warrior cole kresley free download** - Dec 22 2022

a ruthless norse warrior will defeat anything standing between him and his beautiful obsession even death itself a millennium ago aidan the fierce lost his heart to the valkyrie regin the

**dreams of a dark warrior immortals after dark 11 novelstoday** - Feb 09 2022

feb 15 2011 in this ninth installment in the wildly popular immortals after dark series from 1 new york times bestselling paranormal romance author kresley cole a woman must

9781439136805 dreams of a dark warrior immortals after dark - Jul 17 2022

dreams of a dark warrior by kresley cole 2011 simon schuster edition in english

dreams of a dark warrior immortals after dark 11 kresley cole - May 27 2023

feb 15 2011 in this ninth installment in the wildly popular immortals after dark series from 1 new york times bestselling paranormal romance author kresley cole a woman must

[dreams of a dark warrior by kresley cole audiobook scribd](#) - Mar 13 2022

dreams of a dark warrior rating 8 1 10 from 27 ratings author kresley cole genre romance fantasy published 2011 series immortals after dark 11 chapter list read now

**dreams of a dark warrior immortals after dark book 11 ebook** - Oct 20 2022

dreams of a dark warrior audiobook written by kresley cole narrated by robert petkoff get instant access to all your favorite books no monthly commitment listen online or offline with

[dreams of a dark warrior by kresley cole google play](#) - Sep 18 2022

may 6 2014 in this ninth installment in the wildly popular immortals after dark series from 1 new york times bestselling paranormal romance author kresley cole a woman must

*dreams of a dark warrior kresley cole* - Aug 30 2023

feb 15 2011 in this ninth installment in the wildly popular immortals after dark series from 1 new york times bestselling paranormal romance author kresley cole a woman must

**dreams of a dark warrior kresley cole google books** - Apr 25 2023

in this ninth installment in the wildly popular immortals after dark series from 1 new york times bestselling paranormal romance author kresley cole a woman must conceal her identity

**dreams of a dark warrior book by kresley cole official** - Mar 25 2023

dreams of a dark warrior by kresley cole books on google play dreams of a dark warrior kresley cole feb 2011 immortals after dark book 11 sold by simon and schuster 4 6

**dreams of a dark warrior by kresley cole fictiondb** - May 15 2022

dreams of a dark warrior by kresley cole 38 382 ratings 4 35 average rating 1 713 reviews open preview dreams of a dark warrior quotes showing 1 30 of 105 nix to declan begin

**dreams of a dark warrior by kresley cole overdrive ebooks** - Aug 18 2022

abebooks com dreams of a dark warrior immortals after dark series book 9 9781439136805 by cole kresley and a great selection of similar new used and collectirevision notes for mcem part a oxford specialty training revision - Jul 14 2023

web mar 31 2011 buy revision notes for mcem part a oxford specialty training revision texts by harrison mark isbn 9780199583836 from amazon s book store everyday low prices and free delivery on eligible orders

[revision notes for mcem part a by mark harrison z library](#) - May 12 2023

web discover revision notes for mcem part a book written by mark harrison explore revision notes for mcem part a in z

library and find free summary reviews read online quotes related books ebook resources

**revision notes for mcm part a by mark harrison** - Oct 05 2022

web this is the only book that mcm candidates will need to pass the mcm part a exam this revision guide is framed around the most recent cem syllabus focussing on all the components of the exam and covering the basic sciences

**revision notes for mcm part a b eco eboighar** - Mar 10 2023

web revision notes for mcm part a b eco author mark harrison price tk 1950 00 publisher oxford specialty training subject mrcp mrcs usmle update date nov 15 2022

**revision notes for mcm part a by mark harrison overdrive** - Jan 08 2023

web mar 30 2011 this is the only book that mcm candidates will need to pass the mcm part a exam this revision guide is framed around the most recent cem syllabus focussing on all the components of the exam and covering the basic sciences as

**mecem mekanik taahhüt mühendislik** - Apr 30 2022

web mecem mekanik hakkında kurulduğu günden itibaren tesisat sektörü içerisindeki tecrübesi hvac bilgi birikimi ile birlikte kurduğu mekanik sistemlerin kalitesi ve verimliliğini birinci planda tutarak sektörümüzün öncü firmalarından olmayı

hedefleyen uzman kadro takım çalışması ve mutlak başarı prensiplerini hedef almış bir firmadır

*mcm tarkin Öğrenci istanbul university business profile* - Jun 01 2022

web view mcm tarkin s business profile as Öğrenci at istanbul university find mcm s email address mobile number work history and more

**revision notes for the mcm part a oxford specialty training revision** - Jun 13 2023

web may 26 2011 mark harrison is a successful mcm candidate and is now an emergency medicine registrar based at the emergency medicine department in newcastle general hospital uk previously he has worked in orthopaedic and vascular

surgery at freeman hospital newcastle upon tyne and before that at james cook university hospital

*mark harrison mcm net buckcenter edu ec* - Aug 03 2022

web mark harrison mcm downloaded from net buckcenter edu ec by guest maximillian melina bayesian phylogenetics oxford university press a concise revision guide for one of the most difficult parts of the mcm examination covering the anatomy

and basic sciences that will be tested in the part a paper

**mark harrison ubc associate professor faculty member** - Mar 30 2022

web mark harrison ubc associate professor measurement and valuation of health health technology and policy assessment and preferences for healthcare interventions evaluation re evaluation of the type of health care that is provided the point in

the treatment pathway and the way in which it is delivered

*revision notes for mcm part a by mark harrison editor alibris* - Nov 06 2022

web this is the only book that mcm candidates will need to pass the mcm part a exam this revision guide is framed around the most recent cem syllabus focussing on all the components of the exam and covering the basic sciences

[mark harrison pharmsci](#) - Jan 28 2022

web about mark harrison joined the ubc faculty of pharmaceutical sciences in 2014 and leads a health economics program within the collaboration for outcomes research and evaluation core group the program considers patient physician decision making understanding the role of preferences in treatment decisions and evaluating the impact

**mcm part c 120 osce stations 2022 ams istanbul edu** - Sep 04 2022

web self assessment for the mcm part c bedside clinics in medicine part i long short spot cases 5 e anatomic pathology board review e book rapid review of clinical medicine for mrcp part 2 second edition social emergency medicine mcm part c 120 osce stations downloaded from ams istanbul edu tr by guest isaias liu first aid for the psychiatry

**mcm Öztrk monash university İstanbul İstanbul türkiye** - Jul 02 2022

web mcm Öztrk adlı kullanıcının eğitimi profilinde yer alıyor mcm Öztrk adlı kullanıcının linkedin deki tam profili görün ve bağlantılarını ve benzer şirketlerdeki iş ilanlarını keşfedin

*revision notes for the m c e m part a oxford specialty* - Feb 26 2022

web revision notes for the m c e m part a oxford specialty training revision texts mark harrison genealogy and biographical sketches of the descendants of thomas anthony thacher from their settlement in new england june 4th 1635 david w allen a wild beast at heart rodrigo t meirelles animal record breakers steve parker best

[revision tips for the mrcem a frcem primary ponder med](#) - Apr 11 2023

web jul 18 2016 revision notes for mcm part a mark harrison i used this very sparingly mainly as a last resort if i couldn t find the content elsewhere it s pretty dry reading but it s mapped to the curriculum

**mark harrison wikipedia** - Dec 27 2021

web mark harrison is the name of mark harrison american football born 1990 american football player mark harrison comics born 1963 british comic book artist mark harrison footballer born 1960 english footballer

**revision notes for mcm part a by mark harrison ebook** - Dec 07 2022

web mark harrison click to preview this is the only book that mcm candidates will need to pass the mcm part a exam this revision guide is framed around the most recent cem syllabus focussing on all the components of the exam and covering the basic sciences as they apply to emergency medicine

[revision notes for mcm part a oxford academic](#) - Aug 15 2023

web harrison mark ed revision notes for mcm part a 1 edn oxford specialty training revision texts oxford 2011 online edn oxford academic 1 may 2013 doi org 10 1093 med 9780199583836 001 0001 accessed 7 sept 2023

cranial nerve lesions mark harrison revision notes for mcem a - Feb 09 2023

web in document mark harrison revision notes for mcem a page 181 191 outline thoracic body wall 1 dermatomes heart and pericardium 1 pericardium pleura and lungs 1 pleura liver and biliary tract 1 surface markings of liver kidneys ureters and bladder the scalp mouth and hard palate