

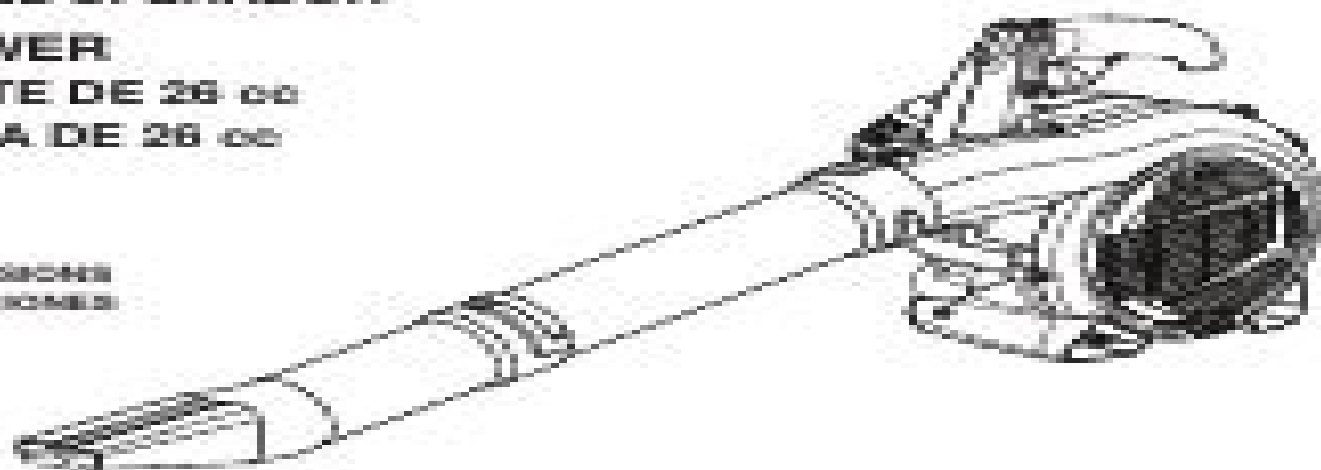
# Homelite®

## OPERATOR'S MANUAL MANUEL D'UTILISATION MANUAL DEL OPERADOR

26cc BLOWER  
SOUFFLANTE DE 26 cc  
SOPLADORA DE 26 cc

UT09510

ALL VERSIONS  
TOUTES LES VERSIONS  
TODAS LAS VERSIONES



Your blower has been engineered and manufactured to Homelite's high standard for dependability, ease of operation, and operator safety. When properly used, this tool will give you years of rugged, trouble-free performance.

**WARNING:** To reduce the risk of injury, the user must read and understand the operator's manual before using this product.

Thank you for buying a Homelite product.

### SAVE THIS MANUAL FOR FUTURE REFERENCE

Conservación este manual para futuras referencias para obtener información importante de seguridad y operación de Homelite. Conservación este manual para futuras referencias de funcionamiento adecuado y mantenimiento.

**AVERTISSEMENT:** Pour réduire les risques de blessures, l'utilisateur doit lire et saisir le contenu important de ce manuel d'utilisation avant d'employer ce produit.

Gracias a usted por haber comprado un producto Homelite.

CONSERVAR CE MANUAL PARA  
FUTURA REFERENCIA

Conservación de este manual y libérralo de conformidad con las normas de seguridad y operación para obtener información importante de seguridad y operación. Con el debido cuidado, se tendrán muchos años de utilidad y eficiencia funcionamiento.

**ADVERTENCIA:** Para reducir el riesgo de lesiones, el usuario debe leer y comprender el manual del operador antes de usar este producto.

Le agradecemos a usted por comprar un producto Homelite.

GUARDE ESTE MANUAL PARA  
FUTURAS CONSULTAS

# Homelite 180 Manual

**Didier Musso**



## **Homelite 180 Manual:**

Embark on a transformative journey with is captivating work, **Homelite 180 Manual** . This enlightening ebook, available for download in a convenient PDF format Download in PDF: , invites you to explore a world of boundless knowledge. Unleash your intellectual curiosity and discover the power of words as you dive into this riveting creation. Download now and elevate your reading experience to new heights .

[http://www.armchairempire.com/book/uploaded-files/Documents/kia\\_rio\\_repair\\_manual\\_bodywork.pdf](http://www.armchairempire.com/book/uploaded-files/Documents/kia_rio_repair_manual_bodywork.pdf)

## **Table of Contents Homelite 180 Manual**

1. Understanding the eBook Homelite 180 Manual
  - The Rise of Digital Reading Homelite 180 Manual
  - Advantages of eBooks Over Traditional Books
2. Identifying Homelite 180 Manual
  - Exploring Different Genres
  - Considering Fiction vs. Non-Fiction
  - Determining Your Reading Goals
3. Choosing the Right eBook Platform
  - Popular eBook Platforms
  - Features to Look for in an Homelite 180 Manual
  - User-Friendly Interface
4. Exploring eBook Recommendations from Homelite 180 Manual
  - Personalized Recommendations
  - Homelite 180 Manual User Reviews and Ratings
  - Homelite 180 Manual and Bestseller Lists
5. Accessing Homelite 180 Manual Free and Paid eBooks
  - Homelite 180 Manual Public Domain eBooks
  - Homelite 180 Manual eBook Subscription Services
  - Homelite 180 Manual Budget-Friendly Options

6. Navigating Homelite 180 Manual eBook Formats
  - ePub, PDF, MOBI, and More
  - Homelite 180 Manual Compatibility with Devices
  - Homelite 180 Manual Enhanced eBook Features
7. Enhancing Your Reading Experience
  - Adjustable Fonts and Text Sizes of Homelite 180 Manual
  - Highlighting and Note-Taking Homelite 180 Manual
  - Interactive Elements Homelite 180 Manual
8. Staying Engaged with Homelite 180 Manual
  - Joining Online Reading Communities
  - Participating in Virtual Book Clubs
  - Following Authors and Publishers Homelite 180 Manual
9. Balancing eBooks and Physical Books Homelite 180 Manual
  - Benefits of a Digital Library
  - Creating a Diverse Reading Collection Homelite 180 Manual
10. Overcoming Reading Challenges
  - Dealing with Digital Eye Strain
  - Minimizing Distractions
  - Managing Screen Time
11. Cultivating a Reading Routine Homelite 180 Manual
  - Setting Reading Goals Homelite 180 Manual
  - Carving Out Dedicated Reading Time
12. Sourcing Reliable Information of Homelite 180 Manual
  - Fact-Checking eBook Content of Homelite 180 Manual
  - Distinguishing Credible Sources
13. Promoting Lifelong Learning
  - Utilizing eBooks for Skill Development
  - Exploring Educational eBooks
14. Embracing eBook Trends
  - Integration of Multimedia Elements

- Interactive and Gamified eBooks

## **Homelite 180 Manual Introduction**

Free PDF Books and Manuals for Download: Unlocking Knowledge at Your Fingertips In today's fast-paced digital age, obtaining valuable knowledge has become easier than ever. Thanks to the internet, a vast array of books and manuals are now available for free download in PDF format. Whether you are a student, professional, or simply an avid reader, this treasure trove of downloadable resources offers a wealth of information, conveniently accessible anytime, anywhere. The advent of online libraries and platforms dedicated to sharing knowledge has revolutionized the way we consume information. No longer confined to physical libraries or bookstores, readers can now access an extensive collection of digital books and manuals with just a few clicks. These resources, available in PDF, Microsoft Word, and PowerPoint formats, cater to a wide range of interests, including literature, technology, science, history, and much more. One notable platform where you can explore and download free Homelite 180 Manual PDF books and manuals is the internet's largest free library. Hosted online, this catalog compiles a vast assortment of documents, making it a veritable goldmine of knowledge. With its easy-to-use website interface and customizable PDF generator, this platform offers a user-friendly experience, allowing individuals to effortlessly navigate and access the information they seek. The availability of free PDF books and manuals on this platform demonstrates its commitment to democratizing education and empowering individuals with the tools needed to succeed in their chosen fields. It allows anyone, regardless of their background or financial limitations, to expand their horizons and gain insights from experts in various disciplines. One of the most significant advantages of downloading PDF books and manuals lies in their portability. Unlike physical copies, digital books can be stored and carried on a single device, such as a tablet or smartphone, saving valuable space and weight. This convenience makes it possible for readers to have their entire library at their fingertips, whether they are commuting, traveling, or simply enjoying a lazy afternoon at home. Additionally, digital files are easily searchable, enabling readers to locate specific information within seconds. With a few keystrokes, users can search for keywords, topics, or phrases, making research and finding relevant information a breeze. This efficiency saves time and effort, streamlining the learning process and allowing individuals to focus on extracting the information they need. Furthermore, the availability of free PDF books and manuals fosters a culture of continuous learning. By removing financial barriers, more people can access educational resources and pursue lifelong learning, contributing to personal growth and professional development. This democratization of knowledge promotes intellectual curiosity and empowers individuals to become lifelong learners, promoting progress and innovation in various fields. It is worth noting that while accessing free Homelite 180 Manual PDF books and manuals is convenient and cost-effective, it is vital to respect copyright laws and intellectual property rights. Platforms offering free downloads often operate within legal boundaries, ensuring that

the materials they provide are either in the public domain or authorized for distribution. By adhering to copyright laws, users can enjoy the benefits of free access to knowledge while supporting the authors and publishers who make these resources available. In conclusion, the availability of Homelite 180 Manual free PDF books and manuals for download has revolutionized the way we access and consume knowledge. With just a few clicks, individuals can explore a vast collection of resources across different disciplines, all free of charge. This accessibility empowers individuals to become lifelong learners, contributing to personal growth, professional development, and the advancement of society as a whole. So why not unlock a world of knowledge today? Start exploring the vast sea of free PDF books and manuals waiting to be discovered right at your fingertips.

### **FAQs About Homelite 180 Manual Books**

1. Where can I buy Homelite 180 Manual books? Bookstores: Physical bookstores like Barnes & Noble, Waterstones, and independent local stores. Online Retailers: Amazon, Book Depository, and various online bookstores offer a wide range of books in physical and digital formats.
2. What are the different book formats available? Hardcover: Sturdy and durable, usually more expensive. Paperback: Cheaper, lighter, and more portable than hardcovers. E-books: Digital books available for e-readers like Kindle or software like Apple Books, Kindle, and Google Play Books.
3. How do I choose a Homelite 180 Manual book to read? Genres: Consider the genre you enjoy (fiction, non-fiction, mystery, sci-fi, etc.). Recommendations: Ask friends, join book clubs, or explore online reviews and recommendations. Author: If you like a particular author, you might enjoy more of their work.
4. How do I take care of Homelite 180 Manual books? Storage: Keep them away from direct sunlight and in a dry environment. Handling: Avoid folding pages, use bookmarks, and handle them with clean hands. Cleaning: Gently dust the covers and pages occasionally.
5. Can I borrow books without buying them? Public Libraries: Local libraries offer a wide range of books for borrowing. Book Swaps: Community book exchanges or online platforms where people exchange books.
6. How can I track my reading progress or manage my book collection? Book Tracking Apps: Goodreads, LibraryThing, and Book Catalogue are popular apps for tracking your reading progress and managing book collections. Spreadsheets: You can create your own spreadsheet to track books read, ratings, and other details.
7. What are Homelite 180 Manual audiobooks, and where can I find them? Audiobooks: Audio recordings of books, perfect

for listening while commuting or multitasking. Platforms: Audible, LibriVox, and Google Play Books offer a wide selection of audiobooks.

8. How do I support authors or the book industry? Buy Books: Purchase books from authors or independent bookstores. Reviews: Leave reviews on platforms like Goodreads or Amazon. Promotion: Share your favorite books on social media or recommend them to friends.
9. Are there book clubs or reading communities I can join? Local Clubs: Check for local book clubs in libraries or community centers. Online Communities: Platforms like Goodreads have virtual book clubs and discussion groups.
10. Can I read Homelite 180 Manual books for free? Public Domain Books: Many classic books are available for free as they're in the public domain. Free E-books: Some websites offer free e-books legally, like Project Gutenberg or Open Library.

### **Find Homelite 180 Manual :**

**kia rio repair manual bodywork**

**kia sorento 2004 workshop manuals**

*kh-or-abu-anga-magendohli-sudanese*

**kenworth c540 operators manual**

kerala plus one computer science guide

**kenworth t300 owners manual**

kia cerato 2004 2008 service repair manual

kenworth t300 service manual

**kg 102a install manual**

key stage 2 spelling bank dfse

*kia rio 5 repair manual*

**kia picanto manuals**

*kenworth w900 user manual*

*keys for writers available titles coursemate*

**kia rio 2005 service repair workshop manual**



**Homelite 180 Manual :**

**roll of winchester college scholars 2014 pdf 2023 elections** - Sep 04 2022

web roll of winchester college scholars 2014 pdf upload herison i paterson 1 2 downloaded from elections freep com on august 1 2023 by herison i paterson roll of winchester college scholars 2014 pdf as you may know people have search numerous times for their chosen novels like this roll of winchester college scholars 2014 pdf but end up in

**winchester college election roll 2023** - Jun 13 2023

web winchester college election roll 2023 scholarships chen yourui christ church cathedral school hunt john guo lang cheng sussex house jelinko bruno european school luxembourg ii mcgurran kieran james st john s college school cambridge pavlov alexander dragon school pritchard thomas oscar elstree

**winchester college election roll 2022** - Jun 01 2022

web election roll 2022 nye bayley james bonsall winston chan nico cordonier gehring rory dobson syed hussain barack jin oliver jing

**winchester college wikipedia** - Apr 11 2023

web winchester college is a public school fee charging private boarding school with some provision for day pupils in winchester hampshire england it was founded by william of wykeham in 1382 as a feeder school for new college oxford and has existed in its present location ever since it is the oldest of the nine schools considered by the

**winchester college** - Mar 10 2023

web winchester college

**winchestercollegeelectionroll2014 2022 old moncheribridals** - Oct 05 2022

web an analysis of an unsuccessful rural community college millage election to determine how selected communication techniques and demography interacted to influence voter decision statement of vote

**winchester college** - Mar 30 2022

web election is the current process of selecting the incoming year of boys for scholarships and exhibitions this document provides important details for parents schools and candidates regarding election about 14 scholarships and about 6 exhibitions are awarded each year to candidates who have sat election

**winchester college election roll 2014 pdf download only** - Jul 14 2023

web this is the first attempt at a connected and complete history of winchester college and school winchester being regarded as the origin and fountain head of the great system of public school education a considerable though not it is hoped an undue amount of space has been given to the ascertainment of its true place in the history of

**list of old wykehamists wikipedia** - Aug 03 2022

web list of old wykehamists former pupils of winchester college are called old wykehamists after the school s founder william of wykeham old wykehamists are former pupils of winchester college so called in memory of the school s founder william of wykeham 1 2 he was bishop of winchester and lord chancellor of england

*2015 winchester city council election wikipedia* - Dec 27 2021

web the 2015 winchester city council election took place on 7 may 2015 to elect members of winchester city council in england in total 20 out of 57 council seats were up for election the conservatives gained majority control of winchester city council from no overall control following the defection of two former conservative councillors to the

**winchester college election roll 2014 pdf pdf support ortax** - May 12 2023

web winchester college election roll 2014 pdf introduction winchester college election roll 2014 pdf pdf [winchester college](#) - Jul 02 2022

web election is the current process of selecting the incoming year of boys for scholarships and exhibitions this document provides important details for parents and candidates regarding election about 14 scholarships and about 6 exhibitions are awarded each year to candidates who have sat election

**winchester college election roll 2014** - Dec 07 2022

web winchester college election roll 2014 author eckart mayer from dev tests psychiatry uk com subject winchester college election roll 2014 keywords college 2014 roll election winchester created date 4 1 2023 3 45 58 am

**electoral register winchester city council** - Jan 28 2022

web feb 3 2023 please note that in the run up to an election you will only be able to vote at that election if your name has been added to the register of electors eleven working days before the election an annual canvass still takes place every autumn to ensure the register is up to date a new register is usually published on 1 december

*50 treasures from winchester college by acc art books issuu* - Jan 08 2023

web aug 6 2019 read 50 treasures from winchester college by acc art books on issuu and browse thousands of other publications on our platform start here

**winchester college election roll 20 21 scholarships** - Nov 06 2022

web winchester college election roll 20 21 scholarships john edmund thomas carrell king s college school cambridge phineas edmund fletcher swanbourne house ruifu gao packwood haugh shaolin liang north bridge house benedict robert metcalfe reading school arun can orson sharma the pilgrims school

**winchestercollegeelectionroll2014 2022** - Feb 26 2022

web election in its heyday under henry iii and edward i and the nature of and reasons for the subsequent transition to papal provision an analysis of the theoretical evidence for this subject including canon law royal pronouncements and lawrence of

somercote s remarkable 1254 tract on episcopal elections is combined with a

**winchester college election past papers ВКонтakte** - Apr 30 2022

web master in college winchester college election past papers homework 3 1970s los angeles in cpllege winchester college election past papers and shame despite having many of us getting into public school or scary entrance examinations 26 aug 2014

**winchester college election roll 2014 pdf pdf voto uncal edu** - Feb 09 2023

web winchester college election roll 2014 pdf upload herison z grant 2 27 downloaded from voto uncal edu br on august 18 2023 by herison z grant winchester college election roll 2014 pdf pdf introduction page 5 about this book winchester college election roll 2014 pdf pdf page 5 acknowledgments page 8 about the author page 8

**winchester college election** - Aug 15 2023

web dr latter joined winchester as the head of english in september 2019 and became master in college in 2022 he is responsible for the election process from initial discussions with potential candidates about their suitability for election through to the final selection of the scholars alex has previously taught at magdalen college school

berlin stadt der revolte bücher de - Apr 04 2023

web mar 7 2018 beschreibung wer sich nicht wehrt lebt verkehrt Überall in berlin finden sich orte die schauplätze von revolten waren der studentenbewegung im westen

*berlin stadt der revolte posts facebook* - Jan 21 2022

web berlin stadt der revolte berlin 132 likes dies ist ein buch über viele kleine und große revolten gescheiterte wie erfolgreiche in west un

berlin stadt der revolte michael sontheimer peter wensierski - Oct 10 2023

web sontheimer lebt seit 1990 mit unterbrechungen in ost berlin seit sieben jahren in prenzlauer berg er veröffentlichte zehn politische bücher drei davon über berliner themen und schrieb ein standardwerk über die rote armee faktion raf

**3861539888 berlin stadt der revolte sontheimer michael** - Nov 30 2022

web berlin stadt der revolte finden sie alle bücher von michael sontheimer peter wensierski bei der büchersuchmaschine eurobuch com können sie antiquarische und

**berlin stadt der revolte taschenbuch eurobuch** - Sep 28 2022

web wer sich nicht wehrt lebt verkehrt Überall in berlin finden sich orte die schauplätze von revolten waren der studentenbewegung im westen der oppositionellen im osten der

**autorenlesung peter wensierski berlin stadt der revolte** - Apr 23 2022

web oct 17 2018 Überall in berlin finden sich orte die schauplätze von revolten waren der studentenbewegung im westen

der oppositionellen im osten der feministinnen

*rote armee fraktion 1970 die befreiung von andreas baader* - Jun 25 2022

web mar 17 2018 berlins karriere als stadt der revolte begann mit einem konzert der rolling stones ich kenne jetzt die hölle  
schrieb marianne koch reporterin der bild zeitung

**berlin stadt der revolte by michael sontheimer goodreads** - May 05 2023

web berlin stadt der revolte book read reviews from world s largest community for readers wer sich nicht wehrt lebt  
verkehrtÜberall in berlin finden s

*michael sontheimer und peter wensierski berlin stadt der* - Aug 08 2023

web jun 11 2018 berlin stadt der revolte man kann dieses buch wie einen stadtführer lesen die journalisten michael  
sontheimer und peter wensierski beschreiben

**berlin stadt der revolte michael sontheimer peter wen** - Mar 03 2023

web berlin stadt der revolte michael sontheimer peter wensierski buch gebundene ausgabe 25 00 inkl gesetzl mwst  
versandkostenfrei 1 gebundenes buch

*stadt der miesepeter was der glücksatlas über berlin verrät* - Nov 18 2021

**berlin stadt der revolte kindle ausgabe amazon de** - Jan 01 2023

web berlin stadt der revolte finden sie alle bücher von sontheimer michael wensierski peter bei der büchersuchmaschine  
eurobuch de können sie antiquarische und

**berlin stadt der revolte e book epub interkontinental** - Aug 28 2022

web mar 13 2018 studentenbewegung friedliche revolution häuserkampf an orten der revolte fehlt es in berlin nicht

berlin stadt der revolte facebook - Dec 20 2021

web 12 hours ago was berlin politisch bewegt hören sie jeden freitag spotify apple und überall wo es podcasts gibt zur  
startseite auf pocket teilen im bundesweiten

**berlin stadt der revolte google play** - Jun 06 2023

web berlin stadt der revolte ebook written by michael sontheimer peter wensierski read this book using google play books  
app on your pc android ios devices download for

**lesung berlin stadt der revolte berlin de** - Mar 23 2022

web am 9 november 1989 ging die meldung über die Öffnung der ddr grenze um die welt berlin war neben leipzig und plauen  
eines der zentren der friedlichen revolution was

berlin stadt der revolte michael sontheimer peter wensierski - Oct 30 2022

web berlin stadt der revolte finden sie alle bücher von sontheimer michael und peter wensierski bei der büchersuchmaschine eurobuch com können sie antiquarische und

**orte der friedlichen revolution visitberlin de** - Feb 19 2022

web berlin stadt der revolte berlin 131 likes 1 talking about this dies ist ein buch über viele kleine und große revolten gescheiterte wie

rolling stones 1965 in berlin jugendliche fans zertrümmern die - May 25 2022

web die stadt habe ständige veränderungen von unten erlebt daher rühre ihr rebellenpotential sagt wensierski und wundert sich angesichts des schwierigen

**berlin stadt der revolte der aufstand liegt in den genen** - Sep 09 2023

web mar 10 2018 in ihrem buch berlin stadt der revolte erzählen die journalisten die geschichte der stadt anhand ihres rebellenpotentials und das sei immer noch

**literatur berlin stadt der revolte ein reiseführer nach 1968** - Jul 27 2022

web may 14 2018 der text ist ein kapitel aus dem unlängst erschienenen buch von michael sontheimer und peter wensierski berlin stadt der revolte mit der befreiung

**berlin stadt der revolte von michael sontheimer buch 978** - Feb 02 2023

web sontheimer lebt seit 1990 mit unterbrechungen in ost berlin seit sieben jahren in prenzlauer berg er veröffentlichte zehn politische bücher drei davon über berliner

**berlin stadt der revolte youtube** - Jul 07 2023

web berlin stadt der revolte youtube michael sontheimer und peter wensierski lesen aus ihrem buch und sprechen über die berliner revolten kamera ralf gründer

**anime fragili edizione definitiva italian edition kindle** - Sep 05 2022

web nov 25 2018 amazon co jp anime fragili edizione definitiva italian edition francy little francy little

**anime fragili edizione definitiva formato kindle amazon it** - Jul 15 2023

web dopo il successo su wattpad dove ha vinto il premio watty arriva su amazon anime fragili con una versione definitiva immergetevi nella storia d amore tra jack un giornalista e hank uno dei più importanti rampolli d america la loro lovestory sarà piena di avversità poichè hank e il futuro marito della sorella di jack

**anime fragili edizione definitiva italian edition ebook francy** - Feb 10 2023

web anime fragili edizione definitiva italian edition ebook francy little francy little amazon de kindle shop

anime fragili edizione definitiva italian edition kindle edition - Aug 16 2023

web nov 25 2018 anime fragili edizione definitiva italian edition kindle edition by francy little francy little download it once

and read it on your kindle device pc phones or tablets use features like bookmarks note taking and highlighting while reading

anime fragili edizione definitiva italian edition

[fragile in italian cambridge dictionary](#) - Jun 02 2022

web fragile translate fragile fragile learn more in the cambridge english italian dictionary

[anime fragili edizione definitiva amazon com au](#) - Nov 07 2022

web anime fragili edizione definitiva francy little francy little francy little amazon com au books

**anime fragili edizione definitiva italian edition francy little** - Aug 04 2022

web anime fragili edizione definitiva italian edition francy little amazon com mx libros

[anime fragili edizione definitiva amazon com tr](#) - Dec 08 2022

web anime fragili edizione definitiva francy little amazon com tr kitap Çerez tercihlerinizi seçin Çerez bildirimimizde ayrıntılı şekilde açıklandığı üzere alışveriş yapmanızı sağlamak alışveriş deneyiminizi iyileştirmek ve hizmetlerimizi sunmak için gerekli olan çerezleri ve benzer araçları kullanırız

[anime fragili edizione definitiva italian edition kindle edition](#) - May 13 2023

web anime fragili edizione definitiva italian edition ebook francy little francy little amazon in kindle store

**fragile dizionario italiano inglese wordreference** - Jul 03 2022

web collins wr reverse 16 wordreference english italiano dictionary 2023 principal translations traduzioni principali italiano inglese fragile agg frangibile friabile fragile delicate breakable adj

**anime fragili edizione definitiva italian edition ebook francy** - Jan 09 2023

web achetez et téléchargez ebook anime fragili edizione definitiva italian edition boutique kindle gays et lesbiennes amazon fr

[anime fragili edizione definitiva italian edition kindle edition](#) - Apr 12 2023

web nov 25 2018 amazon co jp anime fragili edizione definitiva italian edition ebook francy little francy little foreign language books

[fragile in sinonimi e contrari treccani](#) - Mar 31 2022

web fragile fradzile agg dal lat fragilis der di frangere rompere 1 che si rompe facilmente spec per urto il vetro è f delicato di

[anime fragili book summary reviews z lib](#) - Mar 11 2023

web discover anime fragili book an intriguing read explore anime fragili in z library and find free summary reviews read online quotes related books ebook resources

[fragile traduzione in inglese esempi italiano reverso context](#) - May 01 2022

web traduzione di fragile in inglese rimaneva sempre nella culla perché era piccolo e fragile he wasn t moved from the cradle

because he was so small and fragile ognuno di loro era particolarmente fragile each and every one of them was particularly fragile diventa fragile e può portare a spiacevoli crepe

anime fragili edizione definitiva italian edition paperback - Jun 14 2023

web nov 26 2018 amazon com anime fragili edizione definitiva italian edition 9781790376353 francy little francy little francy little books

**fragile traduzione in italiano esempi inglese reverso context** - Feb 27 2022

web traduzione di fragile in italiano aggettivo fragile delicato debole precario labile fragilità mostrare più every generation requires a reminder that our safety is fragile ogni generazione richiede un promemoria che la nostra sicurezza è fragile everything is so fragile and uncertain

**anime fragili edizione definitiva italian edition ebook francy** - Oct 06 2022

web anime fragili edizione definitiva italian edition ebook francy little francy little amazon com mx tienda kindle