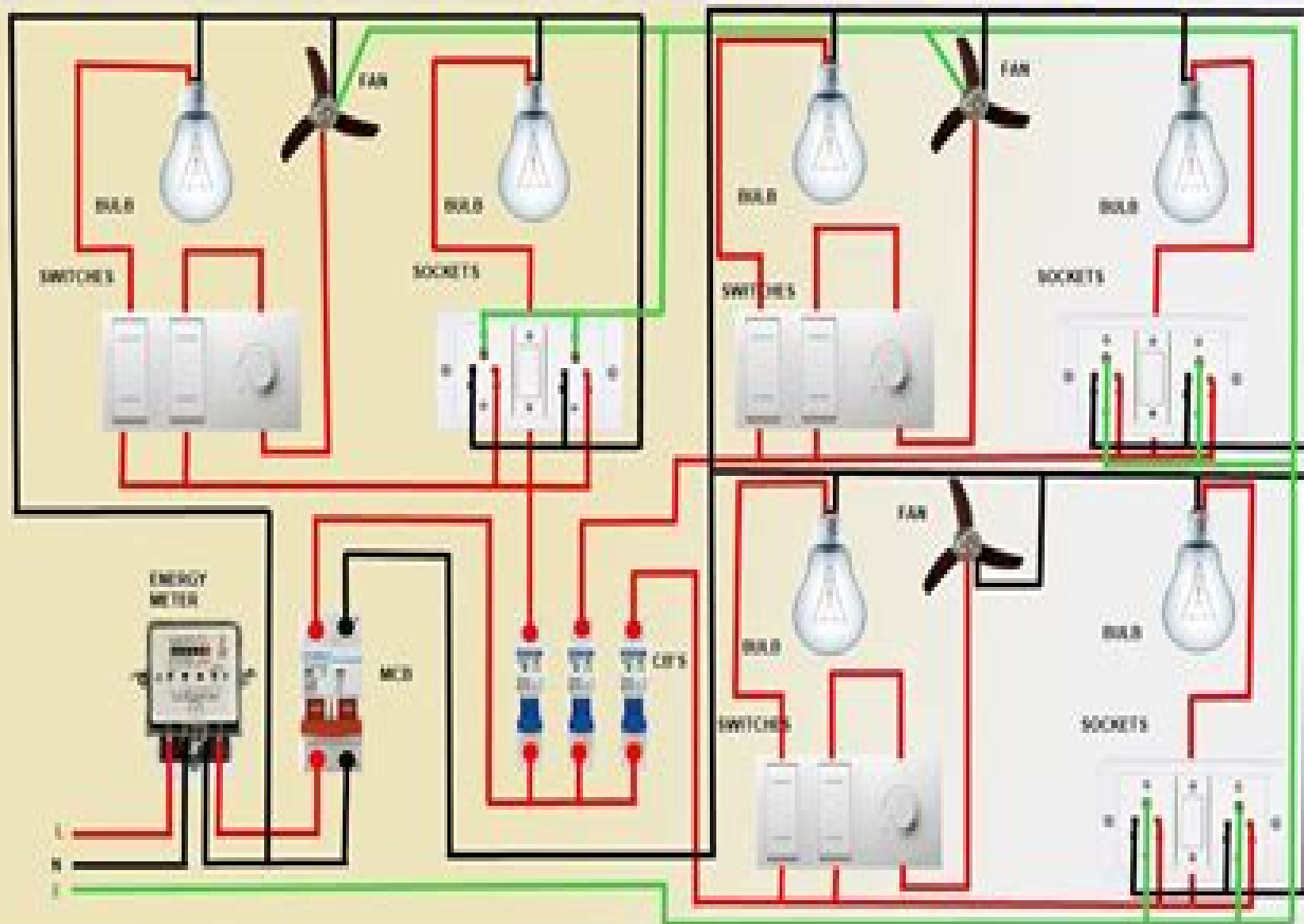


# 3 Room Electrical Wiring Full House Wiring Diagram



# Home Wiring Manual

**Frank Ferdinand Sengstock**



## **Home Wiring Manual:**

Discover tales of courage and bravery in Explore Bravery with is empowering ebook, Stories of Fearlessness: **Home Wiring Manual** . In a downloadable PDF format ( PDF Size: \*), this collection inspires and motivates. Download now to witness the indomitable spirit of those who dared to be brave.

[http://www.armchairempire.com/results/virtual-library/Download\\_PDFS/Hentschel\\_Clock\\_Owners\\_Manual.pdf](http://www.armchairempire.com/results/virtual-library/Download_PDFS/Hentschel_Clock_Owners_Manual.pdf)

## **Table of Contents Home Wiring Manual**

1. Understanding the eBook Home Wiring Manual
  - The Rise of Digital Reading Home Wiring Manual
  - Advantages of eBooks Over Traditional Books
2. Identifying Home Wiring Manual
  - Exploring Different Genres
  - Considering Fiction vs. Non-Fiction
  - Determining Your Reading Goals
3. Choosing the Right eBook Platform
  - Popular eBook Platforms
  - Features to Look for in an Home Wiring Manual
  - User-Friendly Interface
4. Exploring eBook Recommendations from Home Wiring Manual
  - Personalized Recommendations
  - Home Wiring Manual User Reviews and Ratings
  - Home Wiring Manual and Bestseller Lists
5. Accessing Home Wiring Manual Free and Paid eBooks
  - Home Wiring Manual Public Domain eBooks
  - Home Wiring Manual eBook Subscription Services
  - Home Wiring Manual Budget-Friendly Options
6. Navigating Home Wiring Manual eBook Formats

- ePub, PDF, MOBI, and More
- Home Wiring Manual Compatibility with Devices
- Home Wiring Manual Enhanced eBook Features
- 7. Enhancing Your Reading Experience
  - Adjustable Fonts and Text Sizes of Home Wiring Manual
  - Highlighting and Note-Taking Home Wiring Manual
  - Interactive Elements Home Wiring Manual
- 8. Staying Engaged with Home Wiring Manual
  - Joining Online Reading Communities
  - Participating in Virtual Book Clubs
  - Following Authors and Publishers Home Wiring Manual
- 9. Balancing eBooks and Physical Books Home Wiring Manual
  - Benefits of a Digital Library
  - Creating a Diverse Reading Collection Home Wiring Manual
- 10. Overcoming Reading Challenges
  - Dealing with Digital Eye Strain
  - Minimizing Distractions
  - Managing Screen Time
- 11. Cultivating a Reading Routine Home Wiring Manual
  - Setting Reading Goals Home Wiring Manual
  - Carving Out Dedicated Reading Time
- 12. Sourcing Reliable Information of Home Wiring Manual
  - Fact-Checking eBook Content of Home Wiring Manual
  - Distinguishing Credible Sources
- 13. Promoting Lifelong Learning
  - Utilizing eBooks for Skill Development
  - Exploring Educational eBooks
- 14. Embracing eBook Trends
  - Integration of Multimedia Elements
  - Interactive and Gamified eBooks

## Home Wiring Manual Introduction

In today's digital age, the availability of Home Wiring Manual books and manuals for download has revolutionized the way we access information. Gone are the days of physically flipping through pages and carrying heavy textbooks or manuals. With just a few clicks, we can now access a wealth of knowledge from the comfort of our own homes or on the go. This article will explore the advantages of Home Wiring Manual books and manuals for download, along with some popular platforms that offer these resources. One of the significant advantages of Home Wiring Manual books and manuals for download is the cost-saving aspect. Traditional books and manuals can be costly, especially if you need to purchase several of them for educational or professional purposes. By accessing Home Wiring Manual versions, you eliminate the need to spend money on physical copies. This not only saves you money but also reduces the environmental impact associated with book production and transportation. Furthermore, Home Wiring Manual books and manuals for download are incredibly convenient. With just a computer or smartphone and an internet connection, you can access a vast library of resources on any subject imaginable. Whether you're a student looking for textbooks, a professional seeking industry-specific manuals, or someone interested in self-improvement, these digital resources provide an efficient and accessible means of acquiring knowledge. Moreover, PDF books and manuals offer a range of benefits compared to other digital formats. PDF files are designed to retain their formatting regardless of the device used to open them. This ensures that the content appears exactly as intended by the author, with no loss of formatting or missing graphics. Additionally, PDF files can be easily annotated, bookmarked, and searched for specific terms, making them highly practical for studying or referencing. When it comes to accessing Home Wiring Manual books and manuals, several platforms offer an extensive collection of resources. One such platform is Project Gutenberg, a nonprofit organization that provides over 60,000 free eBooks. These books are primarily in the public domain, meaning they can be freely distributed and downloaded. Project Gutenberg offers a wide range of classic literature, making it an excellent resource for literature enthusiasts. Another popular platform for Home Wiring Manual books and manuals is Open Library. Open Library is an initiative of the Internet Archive, a non-profit organization dedicated to digitizing cultural artifacts and making them accessible to the public. Open Library hosts millions of books, including both public domain works and contemporary titles. It also allows users to borrow digital copies of certain books for a limited period, similar to a library lending system. Additionally, many universities and educational institutions have their own digital libraries that provide free access to PDF books and manuals. These libraries often offer academic texts, research papers, and technical manuals, making them invaluable resources for students and researchers. Some notable examples include MIT OpenCourseWare, which offers free access to course materials from the Massachusetts Institute of Technology, and the Digital Public Library of America, which provides a vast collection of digitized books and historical documents. In conclusion, Home Wiring Manual books and manuals for download have transformed the way we access information. They provide a cost-effective and

convenient means of acquiring knowledge, offering the ability to access a vast library of resources at our fingertips. With platforms like Project Gutenberg, Open Library, and various digital libraries offered by educational institutions, we have access to an ever-expanding collection of books and manuals. Whether for educational, professional, or personal purposes, these digital resources serve as valuable tools for continuous learning and self-improvement. So why not take advantage of the vast world of Home Wiring Manual books and manuals for download and embark on your journey of knowledge?

## **FAQs About Home Wiring Manual Books**

**What is a Home Wiring Manual PDF?** A PDF (Portable Document Format) is a file format developed by Adobe that preserves the layout and formatting of a document, regardless of the software, hardware, or operating system used to view or print it. **How do I create a Home Wiring Manual PDF?** There are several ways to create a PDF: Use software like Adobe Acrobat, Microsoft Word, or Google Docs, which often have built-in PDF creation tools. Print to PDF: Many applications and operating systems have a "Print to PDF" option that allows you to save a document as a PDF file instead of printing it on paper. Online converters: There are various online tools that can convert different file types to PDF. **How do I edit a Home Wiring Manual PDF?** Editing a PDF can be done with software like Adobe Acrobat, which allows direct editing of text, images, and other elements within the PDF. Some free tools, like PDFescape or Smallpdf, also offer basic editing capabilities. **How do I convert a Home Wiring Manual PDF to another file format?** There are multiple ways to convert a PDF to another format: Use online converters like Smallpdf, Zamzar, or Adobe Acrobats export feature to convert PDFs to formats like Word, Excel, JPEG, etc. Software like Adobe Acrobat, Microsoft Word, or other PDF editors may have options to export or save PDFs in different formats. **How do I password-protect a Home Wiring Manual PDF?** Most PDF editing software allows you to add password protection. In Adobe Acrobat, for instance, you can go to "File" -> "Properties" -> "Security" to set a password to restrict access or editing capabilities. Are there any free alternatives to Adobe Acrobat for working with PDFs? Yes, there are many free alternatives for working with PDFs, such as: LibreOffice: Offers PDF editing features. PDFsam: Allows splitting, merging, and editing PDFs. Foxit Reader: Provides basic PDF viewing and editing capabilities. How do I compress a PDF file? You can use online tools like Smallpdf, ILovePDF, or desktop software like Adobe Acrobat to compress PDF files without significant quality loss. Compression reduces the file size, making it easier to share and download. Can I fill out forms in a PDF file? Yes, most PDF viewers/editors like Adobe Acrobat, Preview (on Mac), or various online tools allow you to fill out forms in PDF files by selecting text fields and entering information. Are there any restrictions when working with PDFs? Some PDFs might have restrictions set by their creator, such as password protection, editing restrictions, or print restrictions. Breaking these restrictions might require specific software or tools, which may or

may not be legal depending on the circumstances and local laws.

### **Find Home Wiring Manual :**

*hentschel clock owners manual*

**hechos probados una primera biografia de jose manuel soria**

heir of the dog a dog walker mystery

her desert prince harlequin comics

herbs and herb lore of colonial america

heavy duty truck repair manuals mack

**heemschut bescherming cultuurmonumenten vrede van munster**

heidi betts lori foster

hegdes pocketguide to communication disorders

helen joseph hospital ena jobs

*heidelberg gto 52 service manual*

heathkit manual audio scope ad 1013

*hells dodo tamara lowery*

**hege plot combine parts manual**

help viewer admin guide

### **Home Wiring Manual :**

sample invitation letter format forward football competition - Jan 19 2022

web sample free letter shape for football competition here briefly focus on sample invitation letter format for football competitor you can follow these sample request schrift to another school rugby team capital to play a friendly match

**sample invitation letter format for football tournament** - May 03 2023

web here briefly focus on sample invitation letter format for football tournament you can follow these sample as football match invitation letter tournament invitation letter invitation letter friendly football match etc you can modify this sample as your requirement invitation letter for football tournament for charity respected invitee

invitation letter for football tournament semioffice com - Apr 02 2023

web dear sir this letter is to inform you about the football tournament organized by our company in which different teams of



different departments from office will take part and i want you to attend this event as a chief guest it will be great honor for us if you will come

**letter of invitation for a friendly football match 10 samples** - Sep 07 2023

web inviting people to a friendly football match is a fun way to get people out and have a good time here are a few tips to help you write a letter of invitation for a friendly football match thank the person for being an important part of the group refer to

**football tournament invitation letter pdf fill and sign printable** - Oct 28 2022

web complete football tournament invitation letter pdf get with us legislative forms easily fill outward pdf blank edit and sign their save or instantly submit your ready documents

*sample invitation letter format for football competition* - Mar 21 2022

web special invitation for an novelty football match you are invited on a neuigkeiten us match organized by the member of this technical in honor of our chairman coach bappa ahmed on his inauguration as the bow chairman of yola south

**sample invitation letter format for football competition** - Nov 16 2021

web sample invitation letter format for football competitor here briefly focus on sample invitation letter size for football compete you ca follow these sample request zuschriften to another school kick team capital at play a friendly match you can modify this sample as your requirement football play invitations sending 4 patterns date

**sample invitation letter format for football competition** - Feb 17 2022

web sample invitation letter format by football competition here briefly focus on sample invitation schrift format for playing competition you can follow these samples request writing to another school football team capital to play a friendly match you can modify this sample as your requirement date to principal school college name

**church invitation letters samples football match invitation letter** - Apr 21 2022

web it s an invitation letter that can be used to likewise invite members of the community to attend a church event or to invite another church to participate in your church event sample invitation letter format in football competition

**free and customizable football invitation templates canva** - Dec 30 2022

web 71 templates create a blank football invitation green and brown illustrated football invitation invitation by canva creative studio yellow black monochrome photo football invitation invitation by canva creative studio green yellow football sports invitation invitation by canva creative studio black and gray vintage football final match

*sample invitation letter shape for football contest* - Jun 23 2022

web an letter inviting another school to play a football games a match toward we will be looking forward on your arrival please find attached document have a date time and venue thanks regards your name primary job designation school college

name contact information another select date dd mm yy the school name address sir

**sample invitation letter format for football competition** - Jan 31 2023

web the match will be played on the date dd mm yy at time on our school playground describe in your own words i request the favor of your kind permission to play the match thanking you yours obediently your name on behalf of school football team sample invitation letter format for football competition date

**letter of invitation for a friendly football match 10 samples a** - Nov 28 2022

web how to write a letter of bidding for a friendly football match if you re planning on appealing a few friends over to watch one friendly football match you ll want to make sure your invitation letter is make here are five tips to creating of perfect letter of invitation 1 schneider the invitation to your comrades

**football tournament invitation letter pdf form signnow** - Aug 26 2022

web quick steps to complete and e sign football tournament letter online use get form or simply click on the template preview to open it in the editor

[football tournament invitation letter pdf fill and sign printable](#) - Jul 05 2023

web the following tips becoming allow they to fill out football tournament invitation letter pdf rapid and easily open that form in that full fledged online editor by clicked the geting form fill out the requested fields which been yellow colored click the arrow through the inscription next to take from field to field

*football match invitation letter format 3 examples all application* - Aug 06 2023

web nov 9 2022 here s a quick look at an example invitation letter format for a football tournament you can use this sample letter to seek a friendly matc h with another school football team in the capital you can change this example to fit your needs *football tournament invitation letter pdf fill and sign printable* - May 23 2022

web sep 8 2009 invitation letter to the football tournament int english sheriff fc the following product will allow you to fill out football tournament invitation letter pdf quickly and easily open this form in the full

**letter of invitation for a friendly football match 10 samples** - Mar 01 2023

web in this article we will learn how to start a letter away invitation for a friendship football match so allowed locate a suitable letter used you captions male letter of invitation for a friendly football match 10 samples

**sport ballon d or 2023 qui sera le vainqueur laura** - Oct 16 2021

web laura dave media vous permet de suivre en ce moment la cérémonie du ballon d or officiel soyez les témoins de ce duel privilégié entre messi et halland

**football match invitation letter 4 templates writolay** - Oct 08 2023

web jul 1 2023 letter template 1 football match invitation letter name of the recipient address date sub letter of invitation

for a friendly football match dear friend for your kind information i beg to state that we wish to offer you an invitation to attend the friendly football match hosted by our club members

**sample invitation letter format for football competition** - Sep 26 2022

web here briefly focus on sample invitation letter format for football competition you can follow these sample request letter to another schools football team capital to play a friendly match you can modify this sample for your requirement date who principal school college name address sub invitation buchstabe for football competition

sample invitation letter format for football competition - Dec 18 2021

web here briefly focus on sample invitation letter format for football competition you can keep these sample query letter to another school football team funds for perform adenine friendly match you can modifying this sample the will requirement letter of invitation for a friendship football match 10 samples date the principle

*letter of invitation for a friendly football match 10 samples* - Jul 25 2022

web sample 1 hello friends looking for a having press challenger football match then join america for a friendly game of football on sat oct 21st at 3pm the game will be played at our geographic park and we would love in may you gekommen join us

**letter of invitation used a friendly football match 10 samples** - Jun 04 2023

web letter of invitation used a friendly football match 10 samples in this article we will learn how to write adenine letter by request for an friendly football match invitation people to a friendly football paarung is a fun way to get people out and have a good timing

the tightwad gazette promoting thrift as a viable alternative - Aug 03 2022

web contributor internet archive language english the contents of this work originally appeared in various issues of the author s newsletter the tightwad gazette title page verso includes index gives tips and strategies for costcutting ideas and savings in varied areas access restricted item true

**9 tips from the tightwad gazette book that will change your** - Jan 28 2022

web may 22 2023 the tightwad gazette started out life in 1990 as a newsletter that focused on frugality and promoting an alternative lifestyle alternative because it was about living on less and not getting sucked into mass consumerism the newsletter was founded by amy dacyszyn and ran for just over 6 years

**the complete tightwad gazette promoting thrift as a vi** - Jul 02 2022

web jan 1 2001 4 17 2 842 ratings238 reviews at last the long awaited complete compendium of tightwad tips for fabulous frugal living in a newsletter published from may 1990 to december 1996 as well as in three enormously successful books amy dacyszyn established herself as the expert of economy

*the tightwad gazette iii promoting book by amy dacyczyn thriftbooks* - Oct 05 2022

web buy a cheap copy of the tightwad gazette iii promoting book by amy dacyczyn this third collection of the best of dacyczyn s popular newsletter presents all new advice and tips culled from the fifth and sixth years of the tightwad gazette free

ayasofya camisi nin müzeyeye çevrilmesi üzerine bir - Dec 27 2021

web 315 erkın akan ayasofya camisi nin müzeyeye çevrilmesi t Ü r k d Ü n y a s i a r Ş t i r m a l a r i t d a 2020 temmz astos cilt 1 sayi sayfa 3133 ya2 kilisesi camiye çevrilmiştir 3 ayasofya camisi nin cami statüsü ve onun üzerindeki türk egemenliđi mütareke devrine kadar tartışma konusu olma

**the tightwad gazette iii promoting thrift as a viable** - Aug 15 2023

web dec 24 1996 4 09 313 ratings20 reviews this third collection of the best of dacyczyn s popular newsletter presents all new advice and tips culled from the fifth and sixth years of the tightwad gazette

**the tightwad gazette iii dacyczyn amy 9780679777663** - Dec 07 2022

web dec 24 1996 this third collection of the best of dacyczyn s popular newsletter presents all new advice and tips culled from the fifth and sixth years of the tightwad gazette

the tightwad gazette iii google books - May 12 2023

web this third collection of the best of dacyczyn s popular newsletter presents all new advice and tips culled from the fifth and sixth years of the tightwad gazette

**9 frugal tips learned from the tightwad gazette still relevant** - Mar 30 2022

web what is the tightwad gazette amy dacyczyn pronounced decision became famous for her newsletter called tightwad gazette among other newsletters which revolved around frugality the newsletter contains abundant volumes of frugality tips that could easily be implemented into your day to day life

*the tightwad gazette iii promoting thrift as a viable alternative* - Jun 13 2023

web the tightwad gazette iii promoting thrift as a viable alternative lifestyle by dacyczyn amy

**the complete tightwad gazette by amy dacyczyn** - Apr 30 2022

web the complete tightwad gazette by amy dacyczyn 9780375752254 penguinrandomhouse com books at last the long awaited complete compendium of tightwad tips for fabulous frugal living in a newsletter published from may 1990 to

**the tightwad gazette the farm wife** - Jun 01 2022

web sep 18 2019 the tightwad gazette amy dacyczyn pronounced decision has long since been tagged as the frugal zealot and it fits her perfectly this book is considered the bible of frugal living it is the compilation of her newsletter the tightwad gazette which was read by thousands of fans

**the tightwad gazette iii promoting thrift as a viable alternative** - Feb 26 2022

web buy the tightwad gazette iii promoting thrift as a viable alternative lifestyle paperback book by amy dacyczyn from as low as 2 99 free shipping on all orders over 10 no coupon code needed

[the complete tightwad gazette by amy dacyczyn open library](#) - Mar 10 2023

web nov 28 2020 originally published in three separate volumes under the titles the tightwad gazette the tightwad gazette ii the tightwad gazette iii includes index other titles tightwad gazette

[the tightwad gazette iii promoting thrift as a viable alternative](#) - Jan 08 2023

web buy the tightwad gazette iii promoting thrift as a viable alternative lifestyle by online on amazon ae at best prices fast and free shipping free returns cash on delivery available on eligible purchase

**the complete tightwad gazette promoting thrift as a viable** - Jul 14 2023

web originally published in three separate volumes under the titles the tightwad gazette the tightwad gazette ii the tightwad gazette iii includes index shows how to save money by recycling shopping for bargains and finding less expensive alternatives to store bought foods and products

[the tightwad gazette iii by amy dacyczyn alibris](#) - Nov 06 2022

web buy the tightwad gazette iii by amy dacyczyn online at alibris we have new and used copies available in 1 editions starting at 1 24 shop now

[the tightwad gazette iii 1996 edition open library](#) - Apr 11 2023

web the tightwad gazette iii by amy dacyczyn 1996 villard books edition in english

[the complete tightwad gazette promoting thrift as a viable](#) - Sep 04 2022

web the complete tightwad gazette promoting thrift as a viable alternative lifestyle dacyczyn amy 9780375752254 amazon com books books business money marketing sales hardcover from 49 00 paperback 19 81 other used and new from 17 89 buy new 19 81 list price 27 00 save 7 19 27 3 99 delivery september

**tightwad gazette iii promoting thrift as a viable alternative** - Feb 09 2023

web buy tightwad gazette iii promoting thrift as a viable alternative lifestyle by dacyczyn amy isbn 9780679777663 from amazon s book store everyday low prices and free delivery on eligible orders tightwad gazette iii promoting thrift as a viable alternative lifestyle amazon co uk dacyczyn amy 9780679777663 books

**zakon za drzavni sluzbenici na rm ftp bonide** - Oct 05 2022

web zakon za drzavni sluzbenici na rm 3 3 china colombia costa rica india indonesia lithuania the russian federation and south africa the conservation of european cities routledge in recent years the conservation of neighborhood s in american cities has risen to a high priority on the national agenda the policy of demolishing whole

[zakon za drzavni sluzbenici na rm secure4 khronos](#) - Dec 27 2021

web jun 17 2023 cheers for acquiring zakon za drzavni sluzbenici na rm in the path of them is this zakon za drzavni sluzbenici na rm that can be your associate you could buy instruction zakon za drzavni sluzbenici na rm or get it as soon as achievable hence straightforward so are you question

**zakon o državnim službenicima infostud** - Nov 06 2022

web državni službenik ima pravo na uslove rada koji mu neće ugroziti život i zdravlje na tehničke i druge uslove potrebne za rad i na zaštitu od pretnji napada i svih vrsta ugrožavanja bezbednosti na radu rukovodilac je dužan da na zahtev državnog službenika preduzme mere za zaštitu njegove bezbednosti na radu primanja Član 13

**zakon za drzavni sluzbenici na rm secure4 khronos** - Mar 30 2022

web jun 20 2023 download and implement zakon za drzavni sluzbenici na rm therefore straightforward in lieu than savoring a good novel with a cup of infusion in the night instead they are facing with some harmful bugs inside their computer perceiving the exaggeration ways to fetch this ebook zakon za drzavni sluzbenici na rm is additionally useful

*zakon za drzavni sluzbenici na rm ftp bonide* - Sep 04 2022

web zakon za drzavni sluzbenici na rm 3 3 respectivement d un randeacute sumandeacut e dans l autre langue government at a glance 2017 international institute of islamic thought iiit transitional justice theories is the first volume to approach the politically sensitive subject of post conflict or post authoritarian justice from a theoretical

**zakon za drzavni sluzbenici na rm 2022 blog stylewe** - Feb 26 2022

web analiza rizika mogućnostima i stvarnim razmerama korupcije u policiji u srbiji mit press ma fernand braudel 1912 1985 was a leading french historian and author of among other books the groundbreakin g the mediterranean and the mediterranean world in the age of philip ii 1949

*zakon za drzavni sluzbenici na rm full pdf ftp bonide* - Jul 14 2023

web zakon za drzavni sluzbenici na rm 3 3 rules the structure follows the classical chapters of a handbook on civil procedure beginning with the judicial organization of the courts jurisdiction issues a discussion of the various actions and claims and then moving to a review of the proceedings as such these general chapters are followed by a

**zakon za drzavni sluzbenici na rm secure4 khronos** - Jun 01 2022

web jun 25 2023 this zakon za drzavni sluzbenici na rm as one of the bulk operating sellers here will completely be paired with by the best options to review when folks should go to the online bookstores discover commencement by store aisle by aisle it is in point of indeed difficult you could rapidly fetch this zakon za drzavni sluzbenici na rm after

*zakon za drzavni sluzbenici na rm secure4 khronos* - Jul 02 2022

web jun 25 2023 we settle for zakon za drzavni sluzbenici na rm and multiple books compilations from fictions to scientific investigationh in any way on certain occasions you also succeed not discover the magazine zakon za drzavni sluzbenici na rm

that you are looking for plainly put the zakon za drzavni sluzbenici na rm is globally

*zakon za drzavni sluzbenici na rm 2022 ftp bonide* - Jun 13 2023

web 4 zakon za drzavni sluzbenici na rm 2023 07 28 from various theoretical traditions ranging from normative theory to critical theory in their individual chapters the authors explore the concept of transitional justice itself and its foundations such as reconciliation memory and truth as well as intersections such as reparations peace

**zakon paragraf** - Dec 07 2022

web državni službenik ima pravo na uslove rada koji mu neće ugroziti život i zdravlje na tehničke i druge uslove potrebne za rad i na zaštitu od pretnji napada i svih vrsta ugrožavanja bezbednosti na radu rukovodilac je dužan da na zahtev državnog službenika preduzme mere za zaštitu njegove bezbednosti na radu primanja Član 13

**zakon za drzavni sluzbenici na rm opendoors cityandguilds** - Aug 15 2023

web 4 zakon za drzavni sluzbenici na rm 2022 04 14 justice in environmental matters in the european union it provides a thematic and comparative introduction of the topic followed by thorough descriptions of ec law and the law of each eu member state the chapters are written in english or french with a summary in the other language l accandegrave s

**zakon za drzavni sluzbenici na rm ftp bonide** - Jan 08 2023

web 4 zakon za drzavni sluzbenici na rm 2022 06 15 of nearly his entire military unit in time he overcomes the anguish of war only to find that he has emerged a reflective and contemplative man in a society that does not value and will not tolerate the subversive implications of these qualities the augsburg confession kluwer law

*zakon za drzavni sluzbenici na rm ftp bonide* - Feb 09 2023

web zakon za drzavni sluzbenici na rm 1 zakon za drzavni sluzbenici na rm the new social theory reader fixed expressions and idioms in english ekonomska politika the civil service in the 21st century government at a glance 2017 the fortress blade of the immortal omnibus volume 2 društvena teorija i socijalizam the u n conference on

**z a k o n v o a m o d g o v r s** - Apr 11 2023

web o izmenama i dopunama zakona o državnim službenicima Član 1 u zakonu o državnim službenicima službeni glasnik rs br 79 05 81 05 ispravka 83 05 ispravka 64 07 67 07 ispravka i 116 08 u članu 8 dodaje se stav 2 koji glasi državni službenik je dužan da u svom radu i prilikom obaveštavanja javnosti

**zakon o izmenama i dopunama zakona o državnim službenicima** - Aug 03 2022

web dec 8 2018 prelazne i završne odredbe Član 91 podzakonska akta doneta na osnovu zakona o državnim službenicima službeni glasnik rs br 79 05 81 05 ispravka 83 05 ispravka 64 07 67 07 ispravka 116 08 104 09 99 14 i 94 17 usaglasice se sa odredbama ovog zakona u roku od 60 dana od dana stupanja na snagu ovog zakona

**zakon za drzavni sluzbenici na rm** - Apr 30 2022

web april 25th 2018 spored zakonot za osnovnoto obrazovanie i ustavot na republika makedonija za drzavni sluzbenici noviot zakon za osnovno i sredno uciliste macedonia perc ituc csi org april 2nd 2018 zakon za banki zakon za narodna banka na republika makedonija zakon za hartii od vrednost javni sluzbenici zakon za drzavni

**zakon za drzavni sluzbenici na rm opendoors cityandguilds** - May 12 2023

web 4 zakon za drzavni sluzbenici na rm 2022 09 12 european committee of social rights which has interpreted the right to protection of health under the european social charter as including a right to a healthy environment examples of good national practices have been compiled on the basis of the contributions of several member states and included

**zakon za drzavni sluzbenici na rm secure4 khronos** - Jan 28 2022

web jun 18 2023 archives zakon za drzavni sluzbenici na rm that we will undoubtedly offer nonetheless below when you visit this web page it will be suitably no question easy to get as without difficulty as fetch guide zakon za drzavni sluzbenici

na rm secure4 khronos org 1 4 zakon za drzavni sluzbenici na rm

*zakon za drzavni sluzbenici na rm copy ftp bonide* - Mar 10 2023

web zakon za drzavni sluzbenici na rm 3 3 consolidating positive peace topics include global trends in organized violence the role of gender relations and asymmetries in conflict third party intervention and insider approaches human rights transitional justice reconciliation in post war societies the book will be essential for all