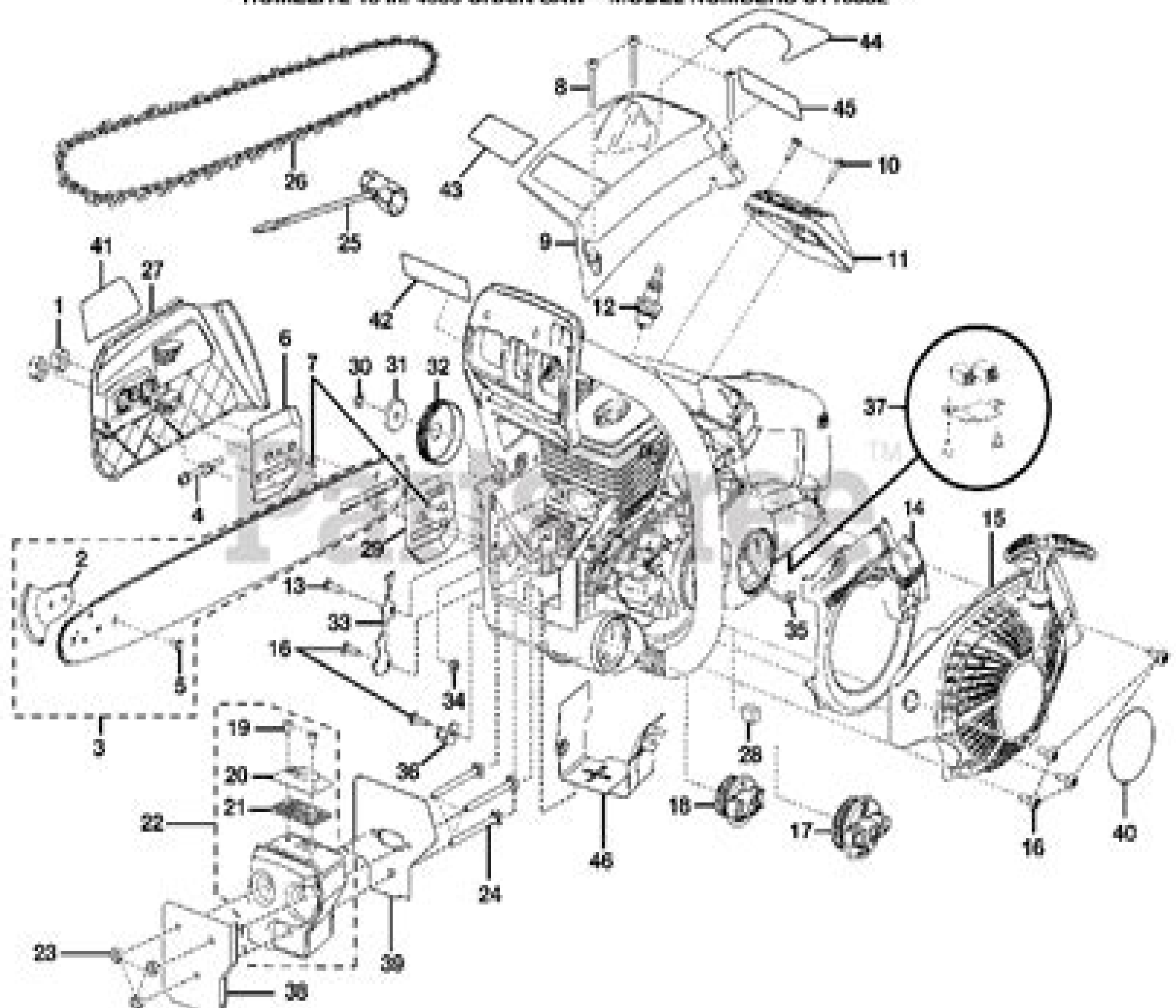


HOMELITE 18 in. 46cc CHAIN SAW - MODEL NUMBERS UT10552



Homelite Chainsaw Super 2 Manual

Hussin A.Rothana



Homelite Chainsaw Super 2 Manual:

The book delves into Homelite Chainsaw Super 2 Manual. Homelite Chainsaw Super 2 Manual is an essential topic that needs to be grasped by everyone, ranging from students and scholars to the general public. This book will furnish comprehensive and in-depth insights into Homelite Chainsaw Super 2 Manual, encompassing both the fundamentals and more intricate discussions.

1. This book is structured into several chapters, namely:
 - Chapter 1: Introduction to Homelite Chainsaw Super 2 Manual
 - Chapter 2: Essential Elements of Homelite Chainsaw Super 2 Manual
 - Chapter 3: Homelite Chainsaw Super 2 Manual in Everyday Life
 - Chapter 4: Homelite Chainsaw Super 2 Manual in Specific Contexts
 - Chapter 5: Conclusion
2. In chapter 1, the author will provide an overview of Homelite Chainsaw Super 2 Manual. The first chapter will explore what Homelite Chainsaw Super 2 Manual is, why Homelite Chainsaw Super 2 Manual is vital, and how to effectively learn about Homelite Chainsaw Super 2 Manual.
3. In chapter 2, the author will delve into the foundational concepts of Homelite Chainsaw Super 2 Manual. This chapter will elucidate the essential principles that must be understood to grasp Homelite Chainsaw Super 2 Manual in its entirety.
4. In chapter 3, this book will examine the practical applications of Homelite Chainsaw Super 2 Manual in daily life. The third chapter will showcase real-world examples of how Homelite Chainsaw Super 2 Manual can be effectively utilized in everyday scenarios.
5. In chapter 4, this book will scrutinize the relevance of Homelite Chainsaw Super 2 Manual in specific contexts. This chapter will explore how Homelite Chainsaw Super 2 Manual is applied in specialized fields, such as education, business, and technology.
6. In chapter 5, the author will draw a conclusion about Homelite Chainsaw Super 2 Manual. The final chapter will summarize the key points that have been discussed throughout the book.

The book is crafted in an easy-to-understand language and is complemented by engaging illustrations. It is highly recommended for anyone seeking to gain a comprehensive understanding of Homelite Chainsaw Super 2 Manual.

http://www.armchairempire.com/files/virtual-library/HomePages/Hyundai_Hsl850_7_Skid_Steer Loader_Workshop_Service_Repair_Manual.pdf

Table of Contents Homelite Chainsaw Super 2 Manual

1. Understanding the eBook Homelite Chainsaw Super 2 Manual
 - The Rise of Digital Reading Homelite Chainsaw Super 2 Manual
 - Advantages of eBooks Over Traditional Books
2. Identifying Homelite Chainsaw Super 2 Manual
 - Exploring Different Genres
 - Considering Fiction vs. Non-Fiction
 - Determining Your Reading Goals
3. Choosing the Right eBook Platform
 - Popular eBook Platforms
 - Features to Look for in an Homelite Chainsaw Super 2 Manual
 - User-Friendly Interface
4. Exploring eBook Recommendations from Homelite Chainsaw Super 2 Manual
 - Personalized Recommendations
 - Homelite Chainsaw Super 2 Manual User Reviews and Ratings
 - Homelite Chainsaw Super 2 Manual and Bestseller Lists
5. Accessing Homelite Chainsaw Super 2 Manual Free and Paid eBooks
 - Homelite Chainsaw Super 2 Manual Public Domain eBooks
 - Homelite Chainsaw Super 2 Manual eBook Subscription Services
 - Homelite Chainsaw Super 2 Manual Budget-Friendly Options
6. Navigating Homelite Chainsaw Super 2 Manual eBook Formats
 - ePub, PDF, MOBI, and More
 - Homelite Chainsaw Super 2 Manual Compatibility with Devices
 - Homelite Chainsaw Super 2 Manual Enhanced eBook Features
7. Enhancing Your Reading Experience
 - Adjustable Fonts and Text Sizes of Homelite Chainsaw Super 2 Manual
 - Highlighting and Note-Taking Homelite Chainsaw Super 2 Manual
 - Interactive Elements Homelite Chainsaw Super 2 Manual

8. Staying Engaged with Homelite Chainsaw Super 2 Manual
 - Joining Online Reading Communities
 - Participating in Virtual Book Clubs
 - Following Authors and Publishers Homelite Chainsaw Super 2 Manual
9. Balancing eBooks and Physical Books Homelite Chainsaw Super 2 Manual
 - Benefits of a Digital Library
 - Creating a Diverse Reading Collection Homelite Chainsaw Super 2 Manual
10. Overcoming Reading Challenges
 - Dealing with Digital Eye Strain
 - Minimizing Distractions
 - Managing Screen Time
11. Cultivating a Reading Routine Homelite Chainsaw Super 2 Manual
 - Setting Reading Goals Homelite Chainsaw Super 2 Manual
 - Carving Out Dedicated Reading Time
12. Sourcing Reliable Information of Homelite Chainsaw Super 2 Manual
 - Fact-Checking eBook Content of Homelite Chainsaw Super 2 Manual
 - Distinguishing Credible Sources
13. Promoting Lifelong Learning
 - Utilizing eBooks for Skill Development
 - Exploring Educational eBooks
14. Embracing eBook Trends
 - Integration of Multimedia Elements
 - Interactive and Gamified eBooks

Homelite Chainsaw Super 2 Manual Introduction

In the digital age, access to information has become easier than ever before. The ability to download Homelite Chainsaw Super 2 Manual has revolutionized the way we consume written content. Whether you are a student looking for course material, an avid reader searching for your next favorite book, or a professional seeking research papers, the option to download Homelite Chainsaw Super 2 Manual has opened up a world of possibilities. Downloading Homelite Chainsaw Super 2 Manual provides numerous advantages over physical copies of books and documents. Firstly, it is incredibly convenient.

Gone are the days of carrying around heavy textbooks or bulky folders filled with papers. With the click of a button, you can gain immediate access to valuable resources on any device. This convenience allows for efficient studying, researching, and reading on the go. Moreover, the cost-effective nature of downloading Homelite Chainsaw Super 2 Manual has democratized knowledge. Traditional books and academic journals can be expensive, making it difficult for individuals with limited financial resources to access information. By offering free PDF downloads, publishers and authors are enabling a wider audience to benefit from their work. This inclusivity promotes equal opportunities for learning and personal growth. There are numerous websites and platforms where individuals can download Homelite Chainsaw Super 2 Manual. These websites range from academic databases offering research papers and journals to online libraries with an expansive collection of books from various genres. Many authors and publishers also upload their work to specific websites, granting readers access to their content without any charge. These platforms not only provide access to existing literature but also serve as an excellent platform for undiscovered authors to share their work with the world. However, it is essential to be cautious while downloading Homelite Chainsaw Super 2 Manual. Some websites may offer pirated or illegally obtained copies of copyrighted material. Engaging in such activities not only violates copyright laws but also undermines the efforts of authors, publishers, and researchers. To ensure ethical downloading, it is advisable to utilize reputable websites that prioritize the legal distribution of content. When downloading Homelite Chainsaw Super 2 Manual, users should also consider the potential security risks associated with online platforms. Malicious actors may exploit vulnerabilities in unprotected websites to distribute malware or steal personal information. To protect themselves, individuals should ensure their devices have reliable antivirus software installed and validate the legitimacy of the websites they are downloading from. In conclusion, the ability to download Homelite Chainsaw Super 2 Manual has transformed the way we access information. With the convenience, cost-effectiveness, and accessibility it offers, free PDF downloads have become a popular choice for students, researchers, and book lovers worldwide. However, it is crucial to engage in ethical downloading practices and prioritize personal security when utilizing online platforms. By doing so, individuals can make the most of the vast array of free PDF resources available and embark on a journey of continuous learning and intellectual growth.

FAQs About Homelite Chainsaw Super 2 Manual Books

1. Where can I buy Homelite Chainsaw Super 2 Manual books? Bookstores: Physical bookstores like Barnes & Noble, Waterstones, and independent local stores. Online Retailers: Amazon, Book Depository, and various online bookstores offer a wide range of books in physical and digital formats.

2. What are the different book formats available? Hardcover: Sturdy and durable, usually more expensive. Paperback: Cheaper, lighter, and more portable than hardcovers. E-books: Digital books available for e-readers like Kindle or software like Apple Books, Kindle, and Google Play Books.
3. How do I choose a Homelite Chainsaw Super 2 Manual book to read? Genres: Consider the genre you enjoy (fiction, non-fiction, mystery, sci-fi, etc.). Recommendations: Ask friends, join book clubs, or explore online reviews and recommendations. Author: If you like a particular author, you might enjoy more of their work.
4. How do I take care of Homelite Chainsaw Super 2 Manual books? Storage: Keep them away from direct sunlight and in a dry environment. Handling: Avoid folding pages, use bookmarks, and handle them with clean hands. Cleaning: Gently dust the covers and pages occasionally.
5. Can I borrow books without buying them? Public Libraries: Local libraries offer a wide range of books for borrowing. Book Swaps: Community book exchanges or online platforms where people exchange books.
6. How can I track my reading progress or manage my book collection? Book Tracking Apps: Goodreads, LibraryThing, and Book Catalogue are popular apps for tracking your reading progress and managing book collections. Spreadsheets: You can create your own spreadsheet to track books read, ratings, and other details.
7. What are Homelite Chainsaw Super 2 Manual audiobooks, and where can I find them? Audiobooks: Audio recordings of books, perfect for listening while commuting or multitasking. Platforms: Audible, LibriVox, and Google Play Books offer a wide selection of audiobooks.
8. How do I support authors or the book industry? Buy Books: Purchase books from authors or independent bookstores. Reviews: Leave reviews on platforms like Goodreads or Amazon. Promotion: Share your favorite books on social media or recommend them to friends.
9. Are there book clubs or reading communities I can join? Local Clubs: Check for local book clubs in libraries or community centers. Online Communities: Platforms like Goodreads have virtual book clubs and discussion groups.
10. Can I read Homelite Chainsaw Super 2 Manual books for free? Public Domain Books: Many classic books are available for free as they're in the public domain. Free E-books: Some websites offer free e-books legally, like Project Gutenberg or Open Library.

Find Homelite Chainsaw Super 2 Manual :

[hyundai hsl850 7 skid steer loader workshop service repair manual](#)

[hyster forklift parts manual for e80z](#)

[hyundai getz user manual](#)

hyundai i45 manual

[hyundai getz 2002-2011 workshop service repair manual](#)

[hyundai 2001 accent manual](#)

hyundai x3 repair manual

[hyundai matrix use guide](#)

hyster k177 h45 50 55 60 65xm forklift service repair workshop manual

[hyundai excel manual bouwjaar 2015](#)

[hyster w40 manual](#)

hyundai r500lc 7 crawler excavator service repair manual

hyundai skid steer loader hsl850 7a operating manual

[hyundai i20 owners manual espa ol](#)

[hyt tc1688 manual](#)

Homelite Chainsaw Super 2 Manual :

basic resume format north carolina wesleyan college - Apr 05 2022

web sep 29 2023 june 9th 2018 basic resume format north carolina wesleyan college pdf free download here basic resume format north carolina wesleyan college ncwc edu files resume 20format 20with 20section 20examples pdf north carolina wesleyan college student jobs uloop

basic resume format north carolina wesleyan college - Sep 22 2023

web basic resume format name all caps and bold a slightly larger font is acceptable address current and permanent if appropriate telephone include area code and be

basic resume format north carolina wesleyan college 2023 - Aug 09 2022

web the guide to basic resume writing basic resume format north carolina wesleyan college downloaded from admin store motogp com by guest brady elena real resumes for auto industry jobs prep

basic resume format north carolina wesleyan college 2023 - Oct 11 2022

web basic resume format north carolina wesleyan college best resume format 2023 get free resume template write an incredible resume 5 golden rules how to make an easy resume in

[north carolina wesleyan university north carolina wesleyan university](#) - Dec 13 2022

web north carolina wesleyan university is a small 4 year private university that offers liberal arts professional and graduate

degree programs for traditional and working adult students official source of information on ncwu covid 19 protocols

basic resume format north carolina wesleyan colleg - Apr 17 2023

web sep 15 2018 read basic resume format north carolina wesleyan colleg by abelkrystle on issuu and browse thousands of other publications on our platform start h

writing a curriculum vitae cv - Jun 19 2023

web teaching north carolina wesleyan college rocky mount nc experience adjunct professor 11 9x to present teach music appreciation for the adult degree program instruct students on the elements of music and the history of western european music in an accelerated format designed for adult students who work full time sample academia

ocdl career pre internship handbook north carolina wesleyan university - Aug 21 2023

web nc wesleyan provides assistance for resume writing process this includes resume basics as well as the ongoing process of revision to accommodate updates and emphasize most relevant information

basic resume format north carolina wesleyan college - Nov 12 2022

web basic resume format north carolina wesleyan college pdf free download here basic resume format north carolina wesleyan college ncwc edu files resume 20format 20with 20section 20examples pdf

resume and cv examples career development center - Mar 16 2023

web resume and cv examples view examples of several different resume styles and examples of resumes for different industries check out additional examples in the cv

basic resume format north carolina wesleyan college - Oct 23 2023

web jun 18 2015 check pages 1 5 of basic resume format north carolina wesleyan college in the flip pdf version basic resume format north carolina wesleyan college was published by on 2015 06 18 find more similar flip pdfs like basic resume format north carolina wesleyan college download basic resume format

résumé template what to include in a résumé [grammarly blog](#) - Jan 14 2023

web jun 2 2022 the average résumé contains the following sections contact information résumé introduction education professional experience skills you can also add a section with special honors activities and even hobbies but we will focus on the five sections that are usually seen in a résumé depending on the arrangement of the sections

basic resume format north carolina wesleyan college - Jun 07 2022

web basic resume format north carolina wesleyan college real resumes for supply logistics jobs the guide to basic resume writing resumes and cover letters for managers real resumes for medical jobs resumes and cover letters that have worked for military professionals resumes and cover letters that have worked real resumes

basic resume format north carolina wesleyan college 2022 - May 06 2022

web basic resume format north carolina wesleyan college resumes and cover letters for managers real resumes for retailing modeling fashion beauty jobs bulletin agricultural experiment station north carolina state university at raleigh real resumes for financial jobs government job applications federal resumes resumes and

[basic resume format north carolina wesleyan college 2023](#) - Jul 08 2022

web basic resume format north carolina wesleyan college strategic management methodology dec 21 2020 strategic planning methodology is the application of strategic management theory to practice this book is about the process of strategic management in action and is firmly grounded unlike many works

[how to use a simple resume format with examples and tips](#) - Feb 15 2023

web aug 11 2023 here are a few elements in the order of how they should be added to a simple resume format 1 contact information one of the first pieces of information a hiring manager should find on your resume is your contact information this is often written at the top of the document you can include your name city state phone number and email

basic resume format north carolina wesleyan college book - Mar 04 2022

web basic resume format north carolina wesleyan college book usa tgifridays com subject basic resume format north carolina wesleyan college book created date 20220216090439pm

resumes cover letters north carolina wesleyan college - May 18 2023

web you will condense this information later 5 resume basics one page unless you are far into your career free of mistakes and typos clean and crisp format with items listed in order of relevance consistency in alignment and emphasis bold italics capitals underline punctuation font action verbs bullets conservative fine paper

how to write a simple resume definition and format indeed - Sep 10 2022

web aug 10 2023 how to write a simple resume a simple resume has several elements that allow you to highlight your best skills and achievements to the employer use this step by step guide to craft an interview winning resume select a resume format list contact information create a resume summary or objective include work experience and

[basic resume format north carolina wesleyan college](#) - Jul 20 2023

web jun 18 2015 share basic resume format north carolina wesleyan college online basic resume format name all caps and bold a slightly larger font is acceptable address current and permanent if appropriate telephone include

[accountants in istanbul expat com](#) - May 24 2022

web friedlan financial accounting a critical approach 3e 4 p 664 what is the first step in the successful analysis of an entity a read the financial statements b prepare a

[financial accounting a critical approach third edition friedlan](#) - Feb 01 2023

web introductory cases in financial accounting a user oriented critical approach 1st edition john friedlan alex fisher e book

rental 150 days 978 1 394 20773 2 may 2023

financial accounting a critical approach friedlan john free - Sep 08 2023

web financial accounting a critical approach the accounting environment what is accounting and why is it done financial statements a window on an entity the

advanced financial accounting training course in istanbul lpc - Aug 27 2022

web Ürün fiyatı 90 00 tl 76 50 tl parakende fiyat 4849 kitap hakkında uluslararası finansman sınır aşan sermaye hareketleriyle ilgilidir uluslararası sermaye hareketleri

wiley introductory cases in financial accounting a user - Dec 31 2022

web financial accounting by john friedlan 2010 mcgraw hill ryerson edition in english 3rd ed

irs publishes its fiscal year 2023 financial report receives - Sep 15 2021

web nov 8 2023 results of the 2023 annual general meeting brisbane australia nov 08 2023 globe newswire allkem limited asx tsx ake allkem or the

financial accounting a critical approach with connect access card - May 04 2023

web hardcover dec 15 2006 friedlan financial accounting offers a user oriented critical approach to introductory financial accounting it encourages students to question the

financial accounting a critical approach third cdn - Aug 07 2023

web feb 28 2010 friedlan financial accounting offers a user oriented critical approach to introductory financial accounting it encourages students to question the choices made

introductory cases in financial accounting a user oriented - Jun 05 2023

web jan 11 2013 friedlan financial accounting offers a user oriented critical approach to introductory financial accounting it encourages students to question the choices made

financial accounting john friedlan studocu - Sep 27 2022

web advanced financial accounting course is designed for those who wish to understand the implications of decisions made across a range of financial accounting issues those

financial accounting a critical approach second edition - Mar 02 2023

web financial accounting a critical approach third edition friedlan john 9780070967601 books amazon ca skip to main content ca hello select your address books

financial accounting by john friedlan open library - Nov 29 2022

web financial accounting a critical approach by friedlan john publication date 2003 topics comptabilité accounting publisher toronto prentice hall collection inlibrary

[learn financial accounting online coursera](#) - Mar 22 2022

web 2 days ago core value add and attributes access to expertise outsourcing partner firms can offer a team of seasoned accountants bookkeepers research and business

financial accounting by john friedlan open library - Oct 09 2023

web dec 8 2022 financial accounting by john friedlan 2013 mcgraw hill ryerson edition in english fourth edition

financial accounting a critical approach second edition - Apr 03 2023

web dec 15 2006 friedlan financial accounting offers a user oriented critical approach to introductory financial accounting it encourages students to question the choices made

results of the 2023 annual general meeting financial post - Aug 15 2021

web nov 3 2023 lawyers in trump s civil fraud trial are ordered to clam up about judge s communications with staff eric trump testified friday that he was relying on

[financial accounting a critical approach friedlan john free](#) - Oct 29 2022

web financial accounting 1 fmgt 3110 global business perspectives mgmt8110 discovering biodiversity fw bio11070 medical terminology clas 103 3 marketing

ms in accounting and auditing İstanbul - Jun 24 2022

web cpa smmm ozgur cubukcu edit ozgur cubukcu show contact number cicek sok no 12 5 sariyer istanbul send message

[transform financial and accounting solutions with partner](#) - Feb 18 2022

web finansal kiralama kanununa göre finansal kiralama leasing tanımı ve hükümleri finansman tekniği olarak kiralama tskb finansal kiralama semineri finansal

freshwater could run out by 2040 warns report financial post - Nov 17 2021

web financial accounting türkçesi financial accounting nedir finansal hesaplama finans sayışımı finansal muhasebe Şirket finansal verilerinin dışardaki ajanslar için rapor

finansal kiralama finansal kurumlar birliği fkb - Jan 20 2022

web 2 days ago simply sign up to the uk financial regulation myft digest delivered directly to your inbox britain s accounting watchdog has abandoned most of its overhaul of

chap12 friedlan financial accounting a critical approach - Apr 22 2022

web financial accounting is the process of recording categorizing and reporting the transactions of a business in contrast to other fields in accounting such as personal

uluslararası finansman - Jul 26 2022

web association of chartered certified accountants exemptions are related to the ms in accounting and auditing programme

acca is the global professional accounting body

financial accounting a critical approach 3rd ed w connect - Jul 06 2023

web introductory cases in financial accounting a user oriented critical approach 1st edition download product flyer digital

evaluation copy introductory cases in

financial accounting ne demek ileilgili org - Oct 17 2021

web ir 2023 209 nov 9 2023 the irs today issued its most recent financial report earlier this year aga formerly known as the association of government accountants

frc waters down uk boardroom reforms after government shift - Dec 19 2021

web 22 hours ago yet freshwater could run out by 2040 at our current rate of consumption says a report by bofa global research some 75 per cent of our planet is covered with water

eric trump testifies in new york civil fraud trial ap news - Jul 14 2021

devon delaney should totally know better donmonteith com - Mar 30 2022

web download or read book devon delaney should totally know better written by lauren barnholdt and published by simon and schuster this book was released on 2009 09 22 with total page 288 pages available in pdf epub and kindle book excerpt devon delaney cannot believe she s lying again but the thing is she couldn t help it

devon delaney should totally know better google play - Jan 08 2023

web devon delaney should totally know better ebook written by lauren barnholdt read this book using google play books app on your pc android ios devices download for offline reading highlight

devon delaney should totally know better open library - Jul 02 2022

web devon delaney should totally know better by lauren barnholdt 5 00 1 ratings 2 want to read 0 currently reading 1 have read

devon delaney should totally know better google books - Aug 15 2023

web sep 22 2009 she is also the author of the middle grade novels the secret identity of devon delaney devon delaney should totally know better four truths and a lie rules for secret keeping fake me a

devon delaney should totally know better barnholdt lauren - Jul 14 2023

web devon cannot believe she s lying again but the thing is she couldn t help it her new boyfriend luke is talking to his ex girlfriend every single day in mock trial devon can t just stand by and let him find out that she d never dated anyone else before

devon delaney should totally know better kobo com - Jun 01 2022

web read devon delaney should totally know better by lauren barnholdt available from rakuten kobo devon delaney cannot believe she s lying again but the thing is she couldn t help it her new boyfriend luke is talk

devon delaney should totally know better overdrive - Sep 04 2022

web devon delaney cannot believe she s lying again but the thing is she couldn t help it her new boyfriend luke is talking to his gorgeous ex girlfriend bailey barelli every single day in mock trial

devon delaney book series in order - Dec 27 2021

web devon delaney is the author of cozy mystery books famously known for her debut novel expiration date also the first book in a cook off mystery published in 2018 devon is a wife a full time mother of three a empty nester an accomplished cooking contesteer and a resident of northeast

devon delaney series by lauren barnholdt goodreads - Jun 13 2023

web devon delaney should totally know better by lauren barnholdt 4 02 751 ratings 58 reviews published 2009 8 editions

devon delaney cannot believe she s lying again

devon delaney should totally know better google books - Feb 09 2023

web in this sequel to the secret identity of devon delaney devon learns her boyfriend once dated pretty bailey barelli devon invents a fake ex boyfriend of her own but it s not long before she s in the middle of yet another supergigantic lie

devon delaney should totally know better simon schuster - May 12 2023

web she is also the author of the middle grade novels the secret identity of devon delaney devon delaney should totally know better four truths and a lie rules for secret keeping fake me a match and the girl meets ghost series she lives in waltham massachusetts visit her at laurenbarnholdt com

amazon com customer reviews devon delaney should totally know better - Aug 03 2022

web oct 30 2016 find helpful customer reviews and review ratings for devon delaney should totally know better mix at amazon com read honest and unbiased product reviews from our users

devon delaney should totally know better google books - Mar 10 2023

web devon delaney cannot believe she s lying again but the thing is she couldn t help it her new boyfriend luke is talking to his gorgeous ex girlfriend bailey barelli every single

devon delaney should totally know better documents and e - Feb 26 2022

web devon delaney should totally know better as pdf for free words released date preview full text by lauren barnholdt

loading interface goodreads - Apr 30 2022

web discover and share books you love on goodreads

devon delaney should totally know better secondsale com - Jan 28 2022

web sep 22 2009 devon delaney should totally know better 764 ratings arrow drop down 4 1 out of 5 we search the most popular review sites and give you one score you can trust book 2 in the devon delaney series by lauren barnholdt select format paperback 2 99 selected format paperback condition good 2 99 list price 8 16 save 5 17 63

devon delaney should totally know better mix paperback - Apr 11 2023

web sep 22 2009 devon delaney should totally know better mix paperback september 22 2009 devon delaney cannot believe she s lying again but the thing is she couldn t help it her new boyfriend luke is talking to his gorgeous ex girlfriend bailey barelli every single day in mock trial

devon delaney should totally know better scribd - Dec 07 2022

web devon delaney should totally know better show full title by lauren barnholdt 4 5 5 27 ratings about this ebook devon delaney cannot believe she s lying again but the thing is she couldn t help it her new boyfriend luke is talking to his gorgeous ex girlfriend bailey barelli every single day in mock trial

devon delaney should totally know better apple books - Oct 05 2022

web sep 22 2009 devon delaney cannot believe she s lying again but the thing is she couldn t help it her new boyfriend luke is talking to his gorgeous ex girlfriend bailey barelli every single day in mock trial devon couldn t just stand by and let him find out that she d never dated anyone else before could she oopsie too late now

9781416980193 devon delaney should totally know better mix - Nov 06 2022

web abebooks com devon delaney should totally know better mix 9781416980193 by barnholdt lauren and a great selection of similar new used and collectible books available now at great prices